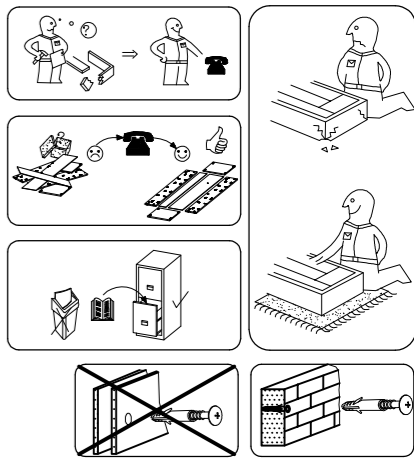
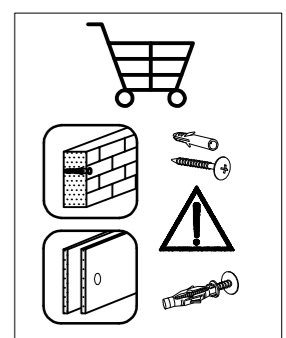
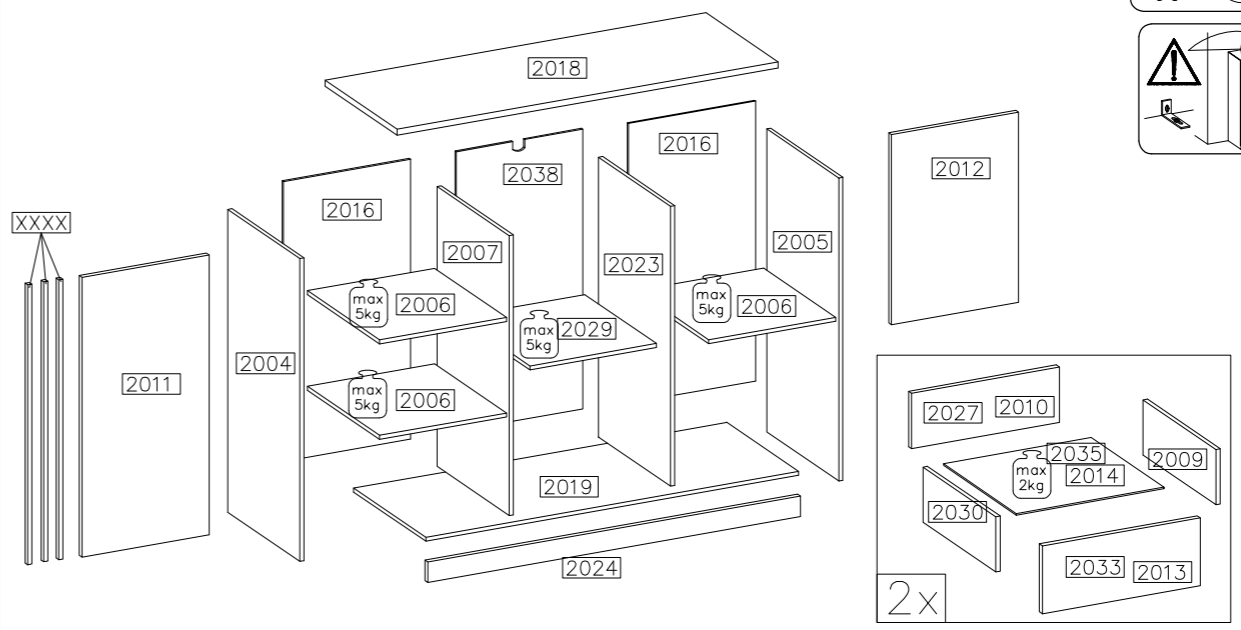
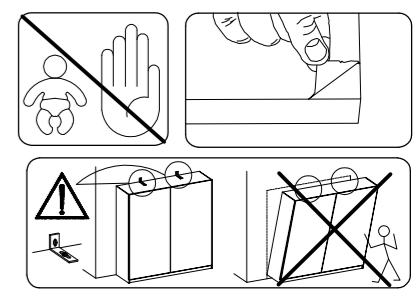
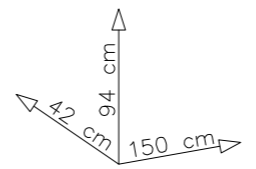
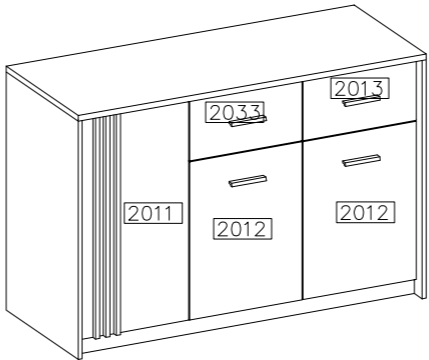


CANADA

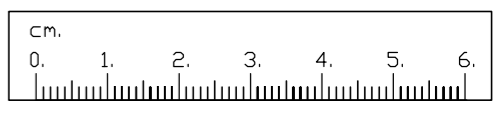
CD



#	ART. NR	L	W	T	Q	Col.No
1	2018	1500	421	22	1	1
2	2019	1466	360	16	1	1
3	2004	915	420	16	1	1
4	2005	915	420	16	1	1
5	2007	799	360	16	1	1
6	2023	799	360	16	1	1
7	2024	1466	100	16	1	1
8	2006	482	355	16	3	1
9	2030	350	140	16	2	1
10	2009	350	140	16	2	1
11	2027	413	123	16	1	1
12	2010	425	123	16	1	1
13	2029	470	355	16	1	1
14	2011	484	792	16	1	2
15	2012	484	558	16	2	2
16	2033	484	230	16	1	2
17	2013	484	230	16	1	2
18	2035	428	358	2,5	1	2
19	2014	440	358	2,5	1	2
20	2016	496	822	2,5	2	2
21	2038	488	822	2,5	1	2

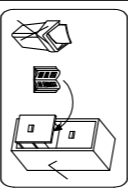


Part	QTY	Part	QTY	Part	QTY	Part	QTY	Part	QTY
Ø8x30mm (A)	28	Ø15/12mm (C)	16	Ø35/KR-15 (G7)	4	Ø3.5x16mm (N)	1	Ø8x30mm (S1)	4
Screw (B)	12	Ø3.0x16mm (P1)	42	Ø35/KR-8 (G8)	2	L-300 (L)	2	Ø35/KR-8 (G8)	2
Washer (D1)	16	Ø3.5x16mm (P4)	6	Ø5.0x13mm (P9)	28	Ø4.0x27mm (P18)	17	Ø35/KR-8 (G8)	2
Cap (E)	16	Ø5.0x13mm (P9)	28	Ø4.0x27mm (P18)	17	Ø35/KR-8 (G8)	2	Ø35/KR-8 (G8)	2
Cap (E1)	12	Ø4.0x27mm (P18)	17	Ø35/KR-8 (G8)	2	Ø35/KR-8 (G8)	2	Ø35/KR-8 (G8)	2
Bracket (F1)	6	Ø35/KR-8 (G8)	2	Ø35/KR-8 (G8)	2	Ø35/KR-8 (G8)	2	Ø35/KR-8 (G8)	2
Bracket (F8)	20	Ø35/KR-8 (G8)	2	Ø35/KR-8 (G8)	2	Ø35/KR-8 (G8)	2	Ø35/KR-8 (G8)	2
Bracket (F6)	2	Ø35/KR-8 (G8)	2	Ø35/KR-8 (G8)	2	Ø35/KR-8 (G8)	2	Ø35/KR-8 (G8)	2



CANADA CD

CODES

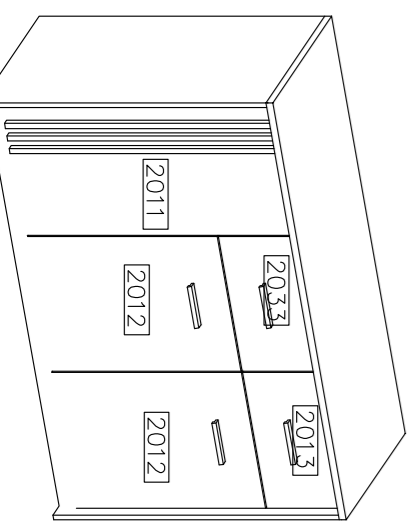
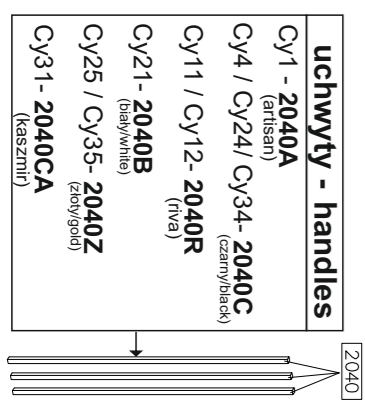
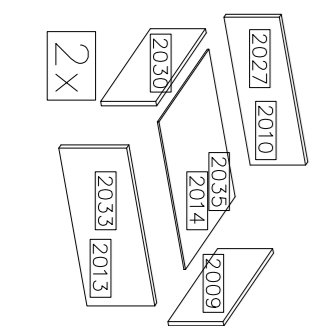
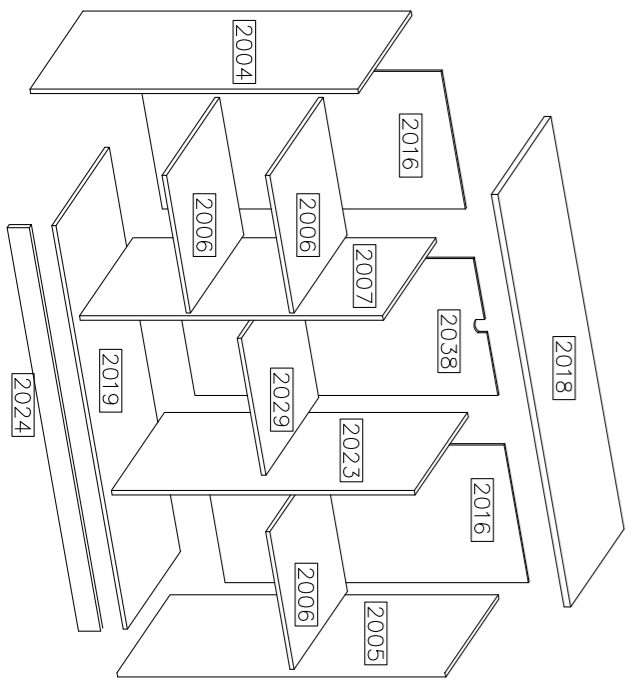


Artisan
CD 1 =code + „A”
CD 4

Riva
CD 11 =code + „R”
CD 12

Biel
CD 21 =code + „B”
CD 24
CD 25

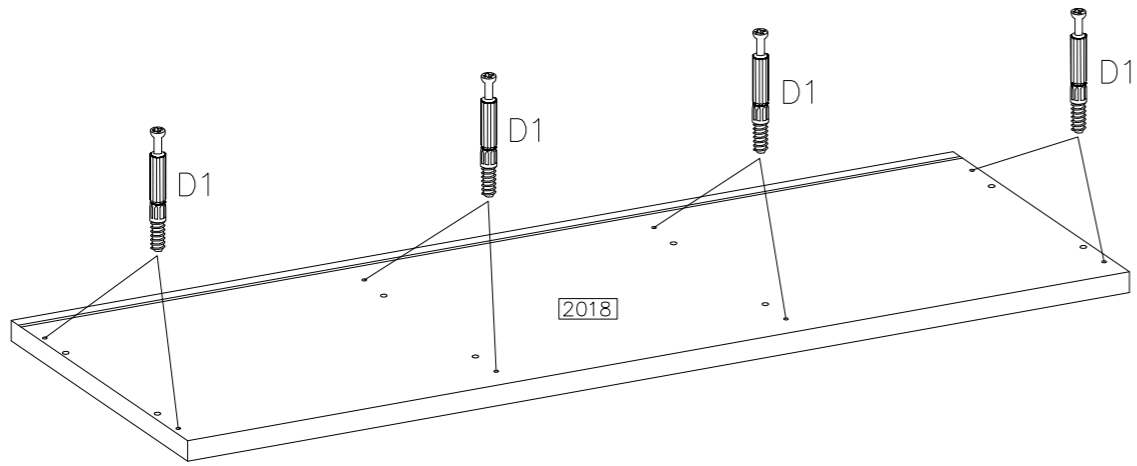
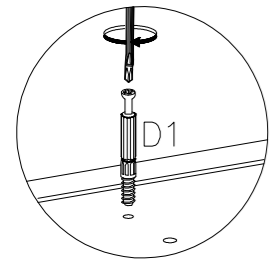
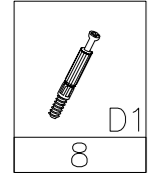
Kaszmir
CD 31 =code + „CA”
CD 34
CD 35



#	L	W	T	Q	Col.No	Nr. paczki	ART. NR	ART. NR	ART. NR	ART. NR
1	1500	421	22	1	1	1	2018A	2018R	2018B	2018CA
2	1466	360	16	1	1	1	2019A	2019R	2019B	2019CA
3	915	420	16	1	1	1	2004A	2004R	2004B	2004CA
4	915	420	16	1	1	1	2005A	2005R	2005B	2005CA
5	799	360	16	1	1	1	2007A	2007R	2007B	2007CA
6	799	360	16	1	1	1	2023A	2023R	2023B	2023CA
7	1466	100	16	1	1	1	2024A	2024R	2024B	2024CA
8	482	355	16	3	1	1	2006A	2006R	2006B	2006CA
9	350	140	16	2	1	1	2030A	2030R	2030B	2030CA
10	350	140	16	2	1	1	2009A	2009R	2009B	2009CA
11	413	123	16	1	1	1	2027A	2027R	2027B	2027CA
12	425	123	16	1	1	1	2010A	2010R	2010B	2010CA
13	470	355	16	1	1	1	2029A	2029R	2029B	2029CA
14	484	792	16	1	2	2	CD1/4 ND 2011A	CD11/CD12 2011R	CD21/24/25 2011B	CD 31/34/35 2011CA
15	484	558	16	2	2	2	2012A	2012R	2012B	2012CA
16	484	230	16	1	2	2	2033A	2033R	2033B	2033CA
17	484	230	16	1	2	2	2013A	2013R	2013B	2013CA
18	428	358	2,5	1	2	2	2035	2035	2035	2035
19	440	358	2,5	1	2	2	2014	2014	2014	2014
20	496	822	2,5	2	2	2	2016	2016	2016	2016
21	488	822	2,5	1	2	2	2038	2038	2038	2038
22	788	20	16	3	3	3	2040	2040	2040	2040

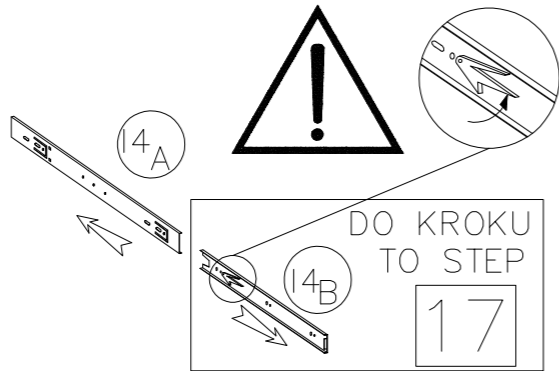
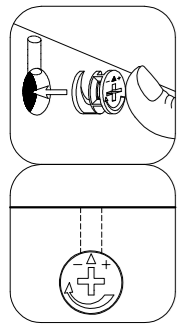
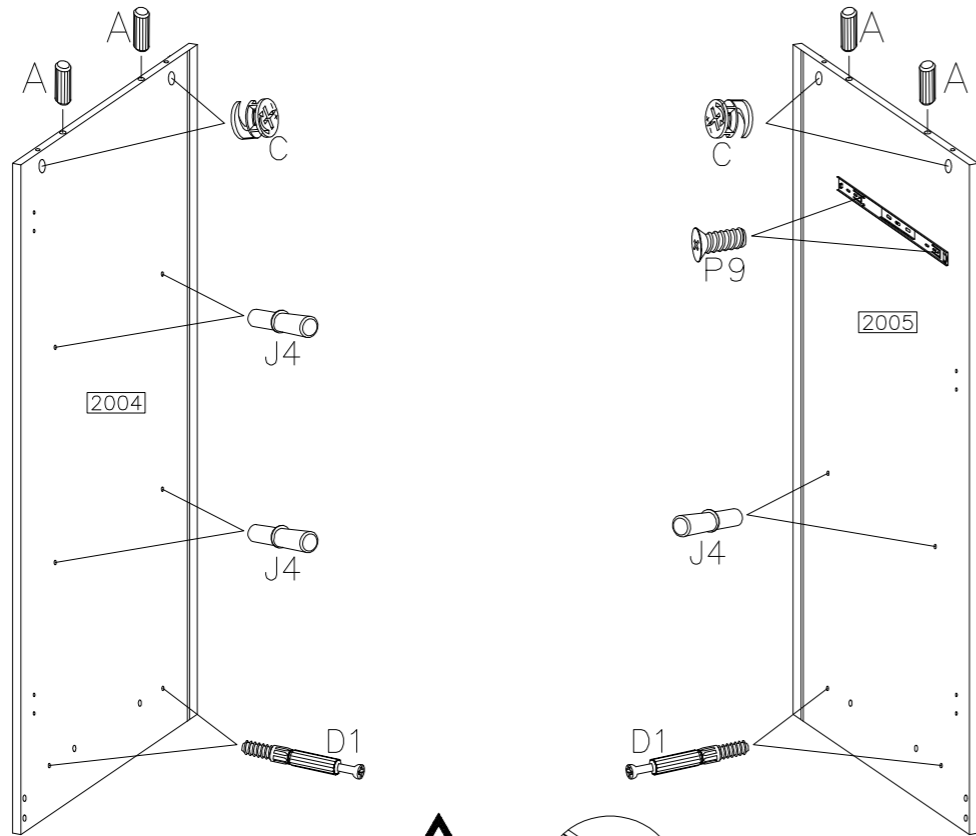
patrz niżej/check below

1

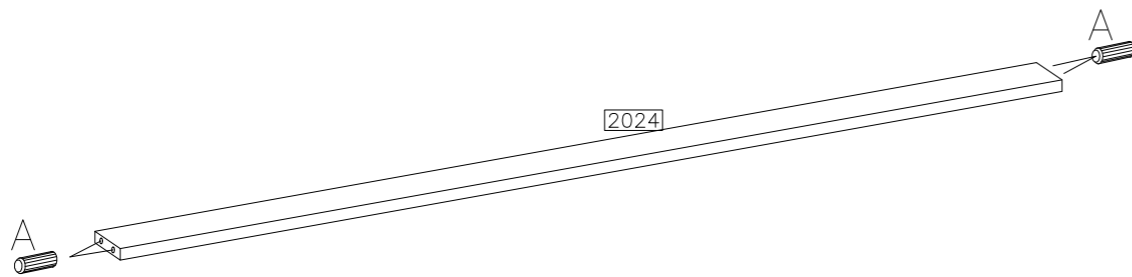
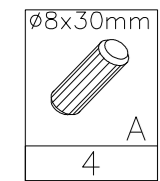


2

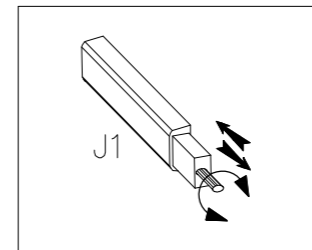
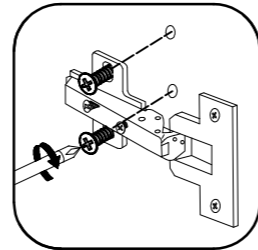
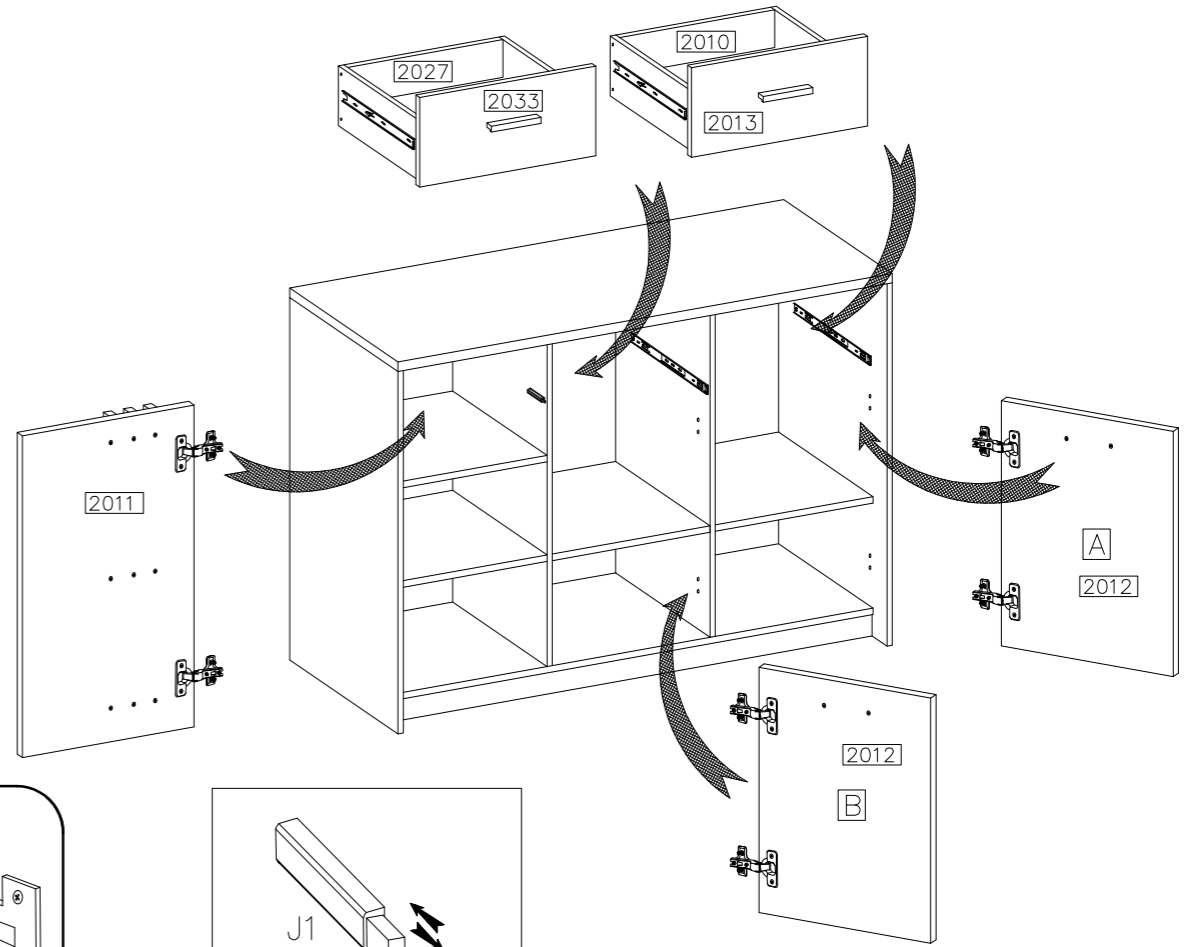
4	4
4	6
0.5SET	2



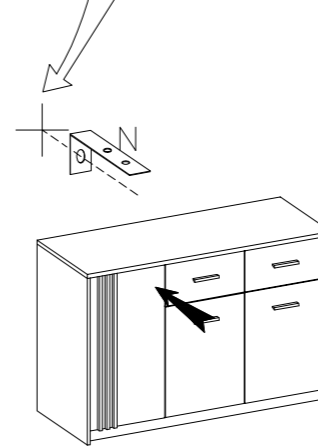
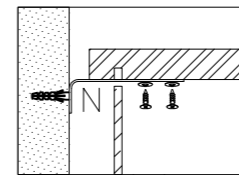
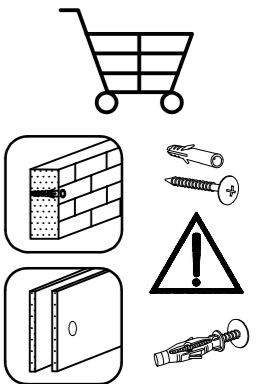
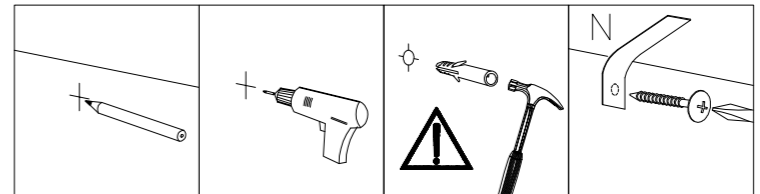
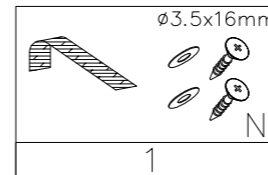
3



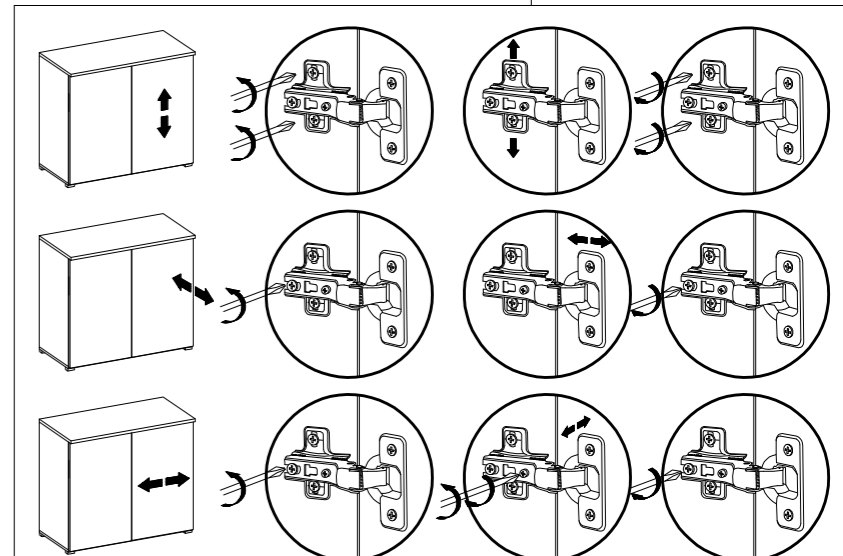
18



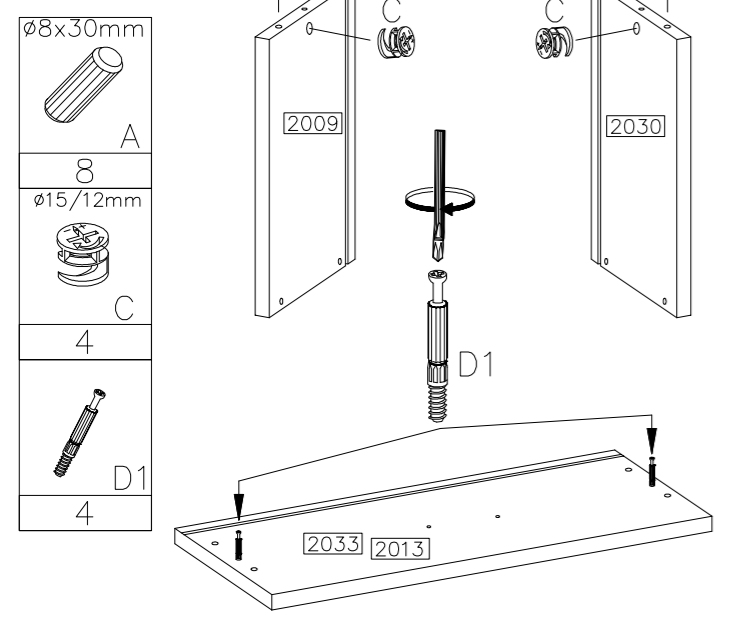
19



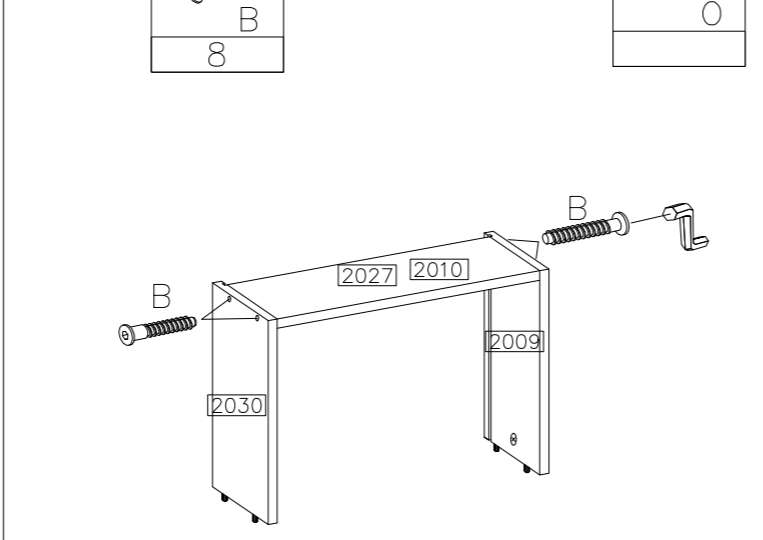
PUSH TO OPEN



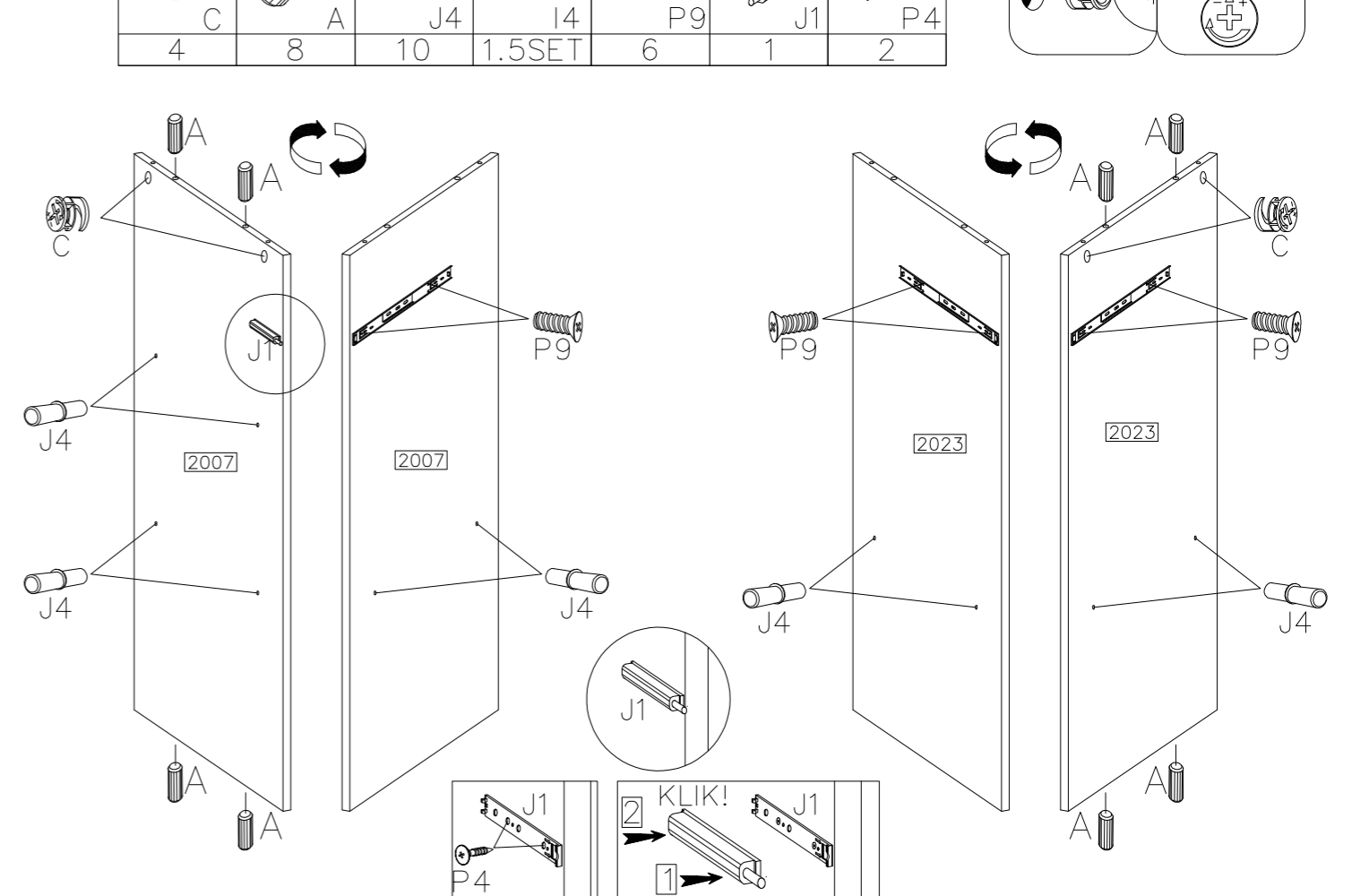
13



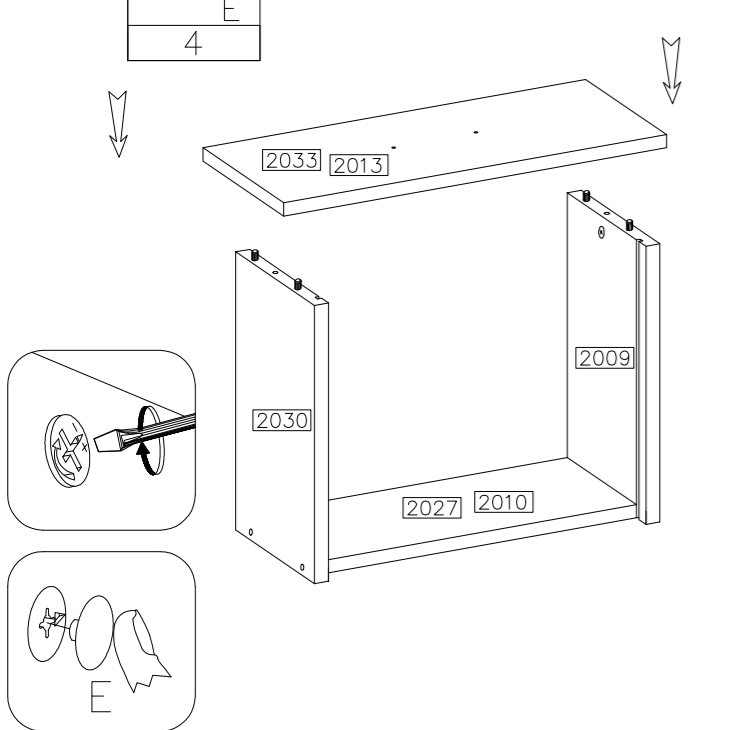
14



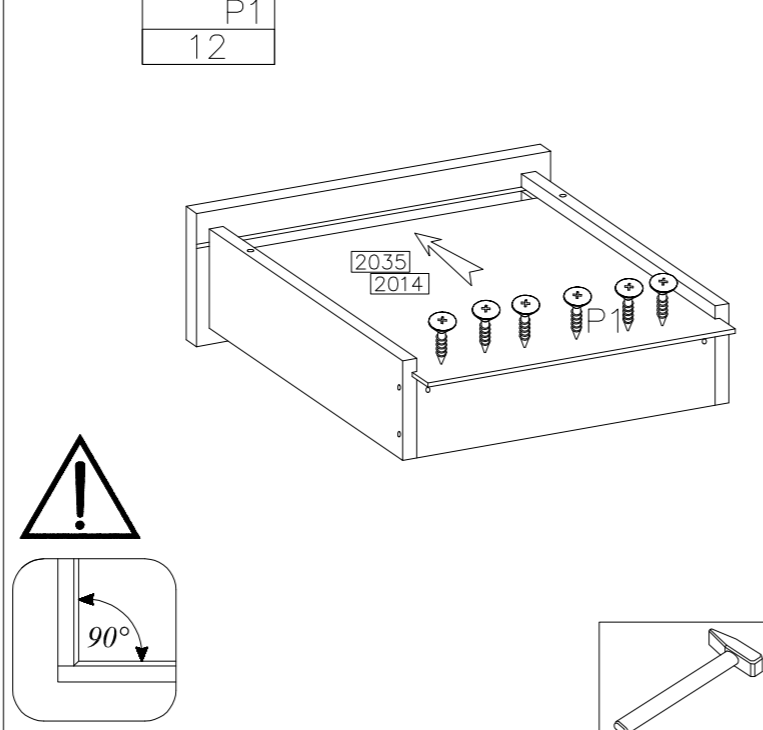
4



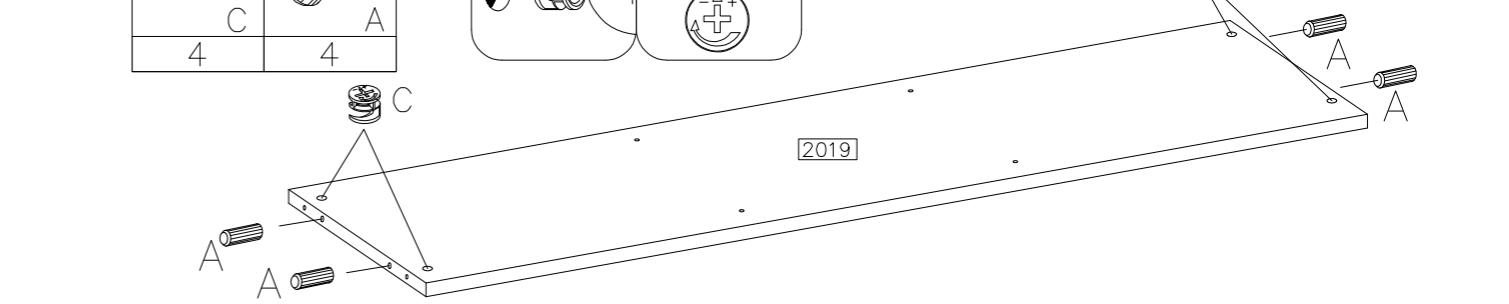
15



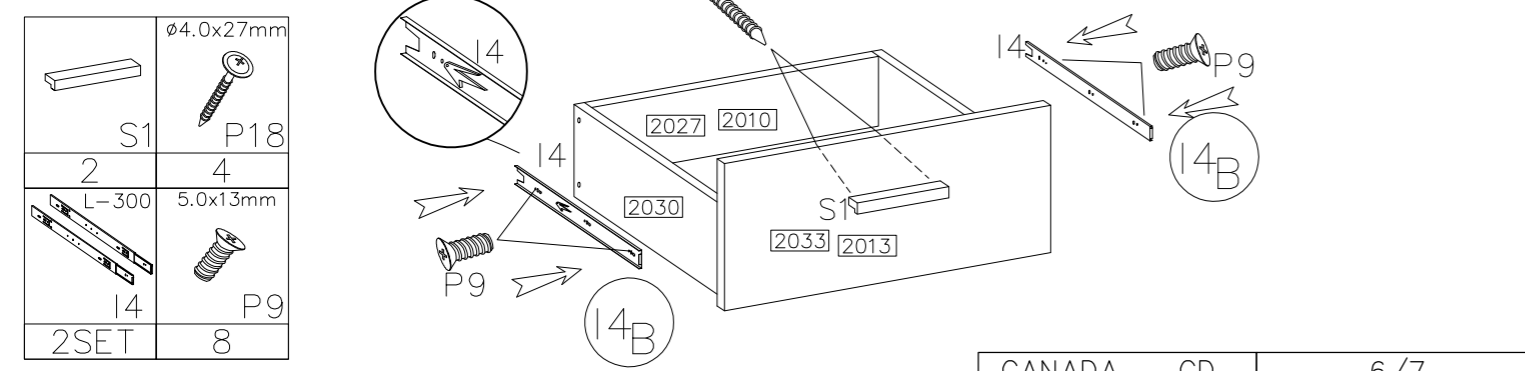
16



5



17



6

