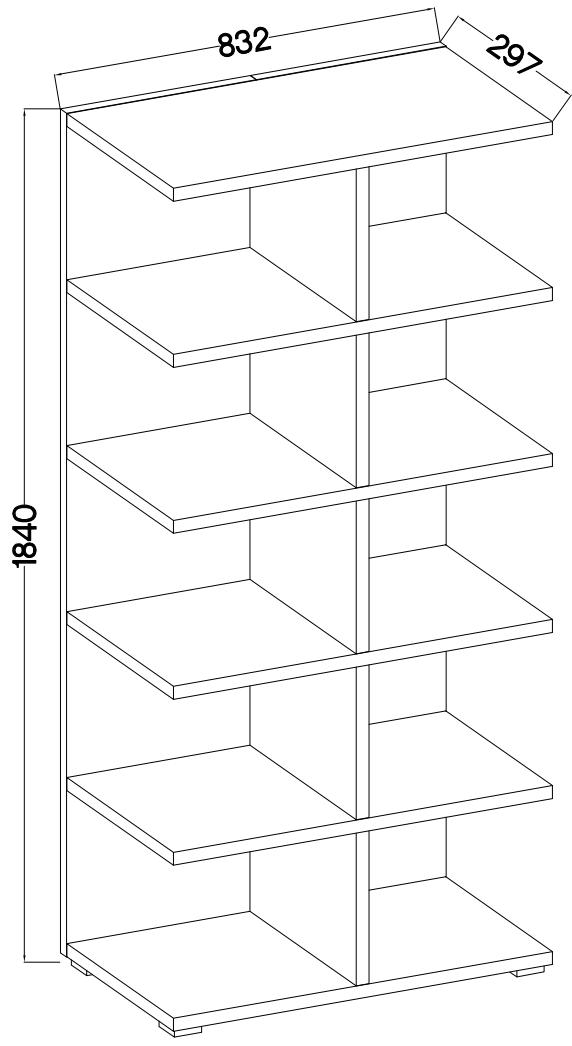
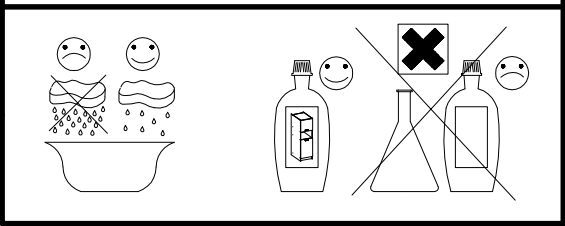


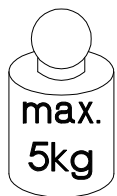
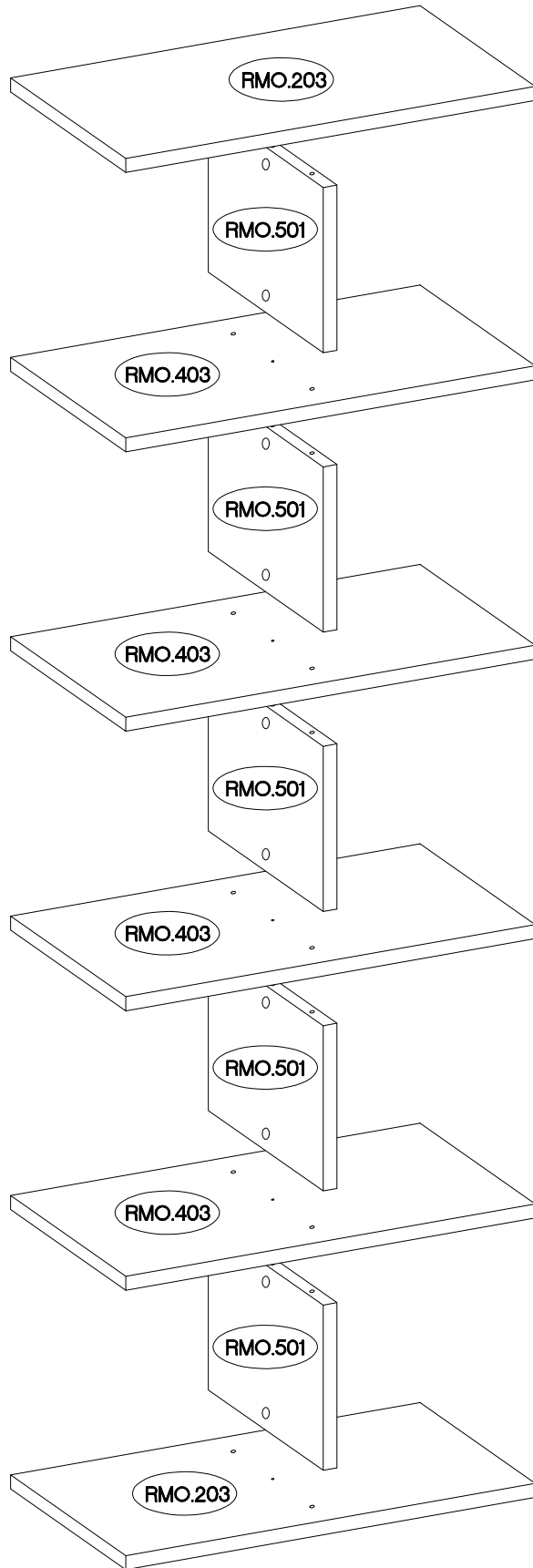
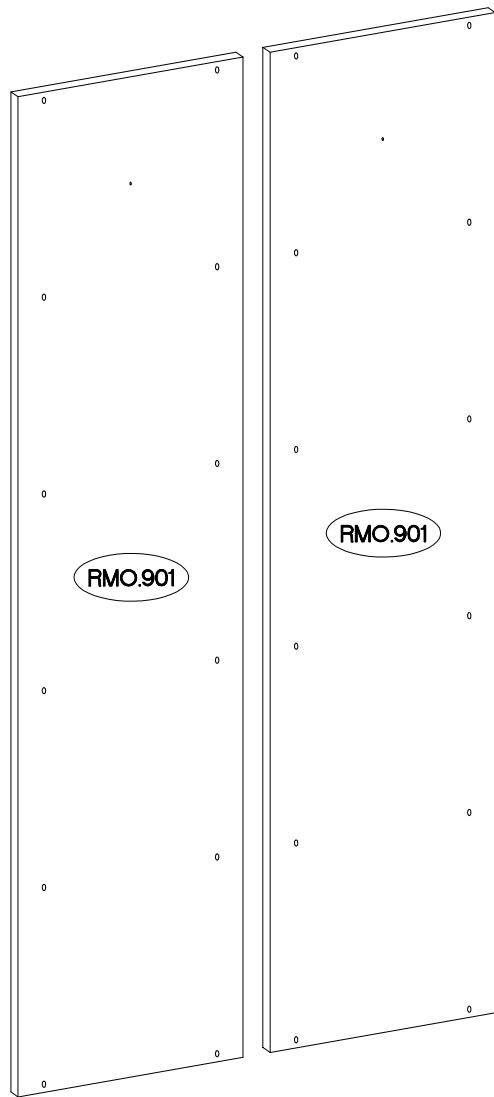
MORE 05



 #10x50mm O7	 #5.0x70mm P29	 #20 E11
2	2	2

 #8x30mm A	 6,4 x 50mm B	 #5/18mm C6	 L=20mm D2	 E	 60x40x20 F1	 #4.0x25mm P14	 O
20	24	10	10	10	4	8	1

ISM-RMO-003

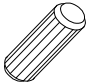


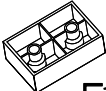



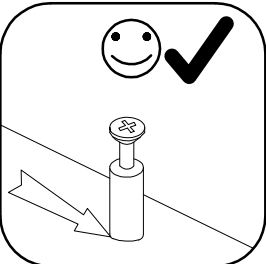
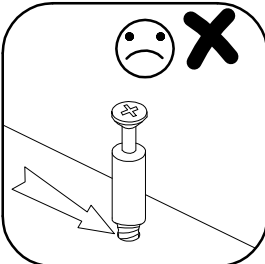
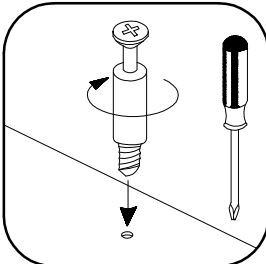
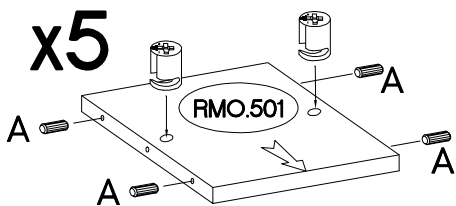
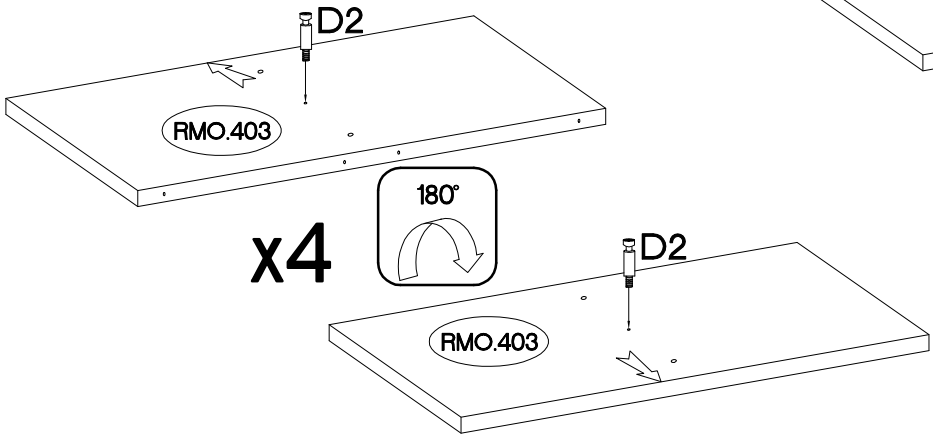
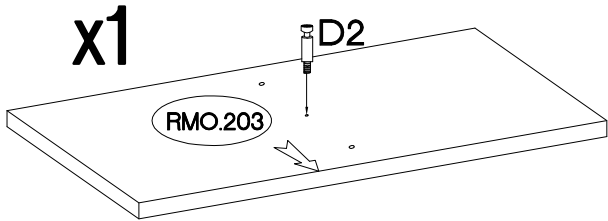
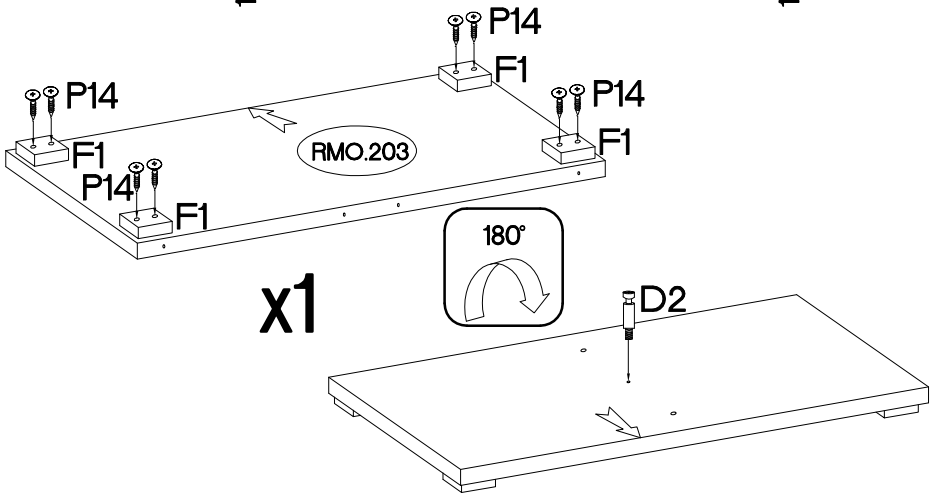
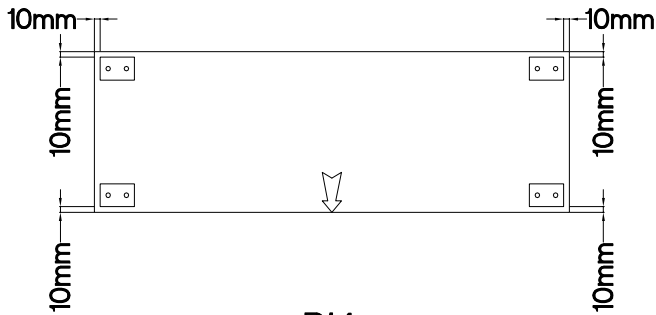
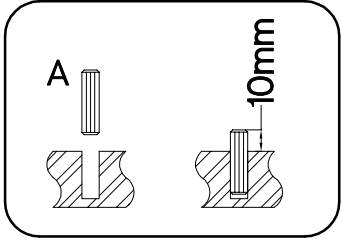
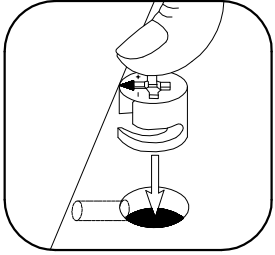
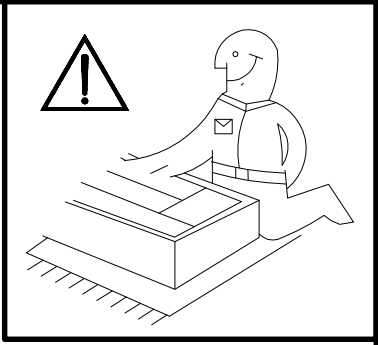
MSN.203

MSN.403

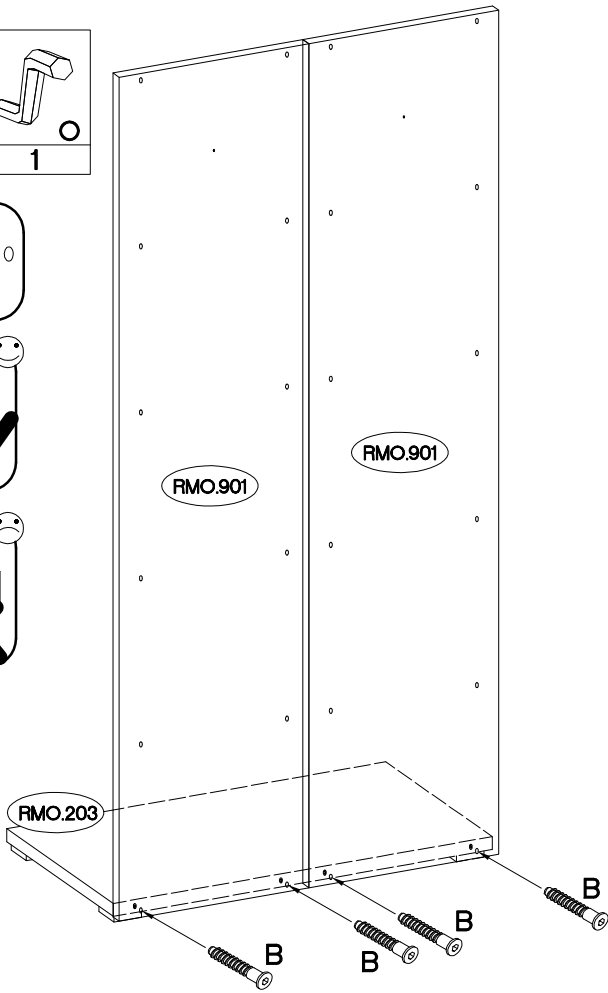
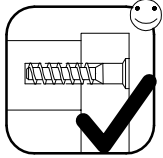
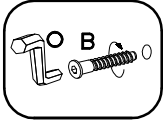
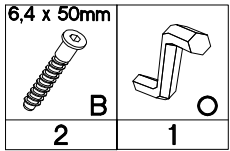
Colli	Ersatzteil Nummer	Dimension
Colli 1/2	RMO.203	830x281x28
	RMO.403 x 4	830x281x28
	RMO.501 x 2	330x280x28
Colli 2/2	RMO.203	830x281x28
	RMO.501 x 3	330x280x28
	RMO.901 x 2	1820x416x16

1

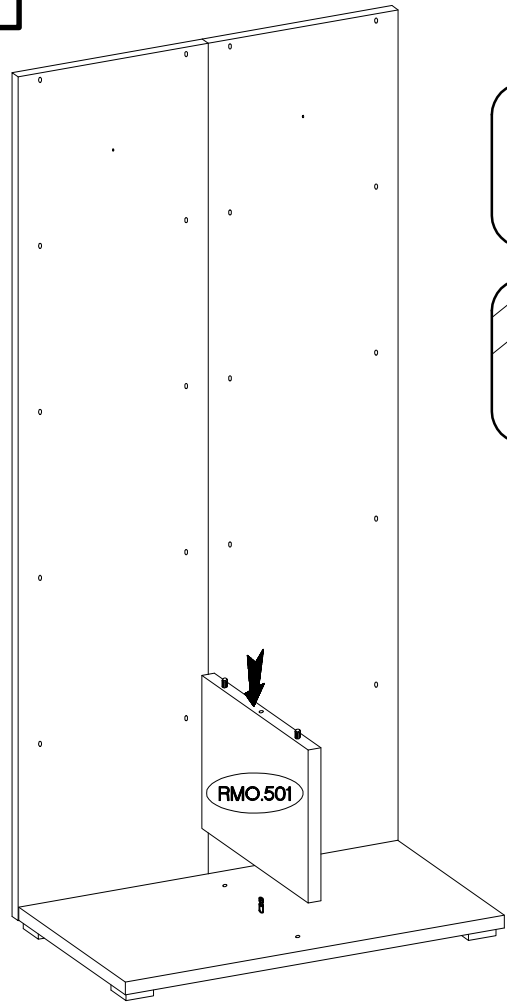
+8x30mm  A	+15/18mm  C6	L=20mm  D2	60x40x20  F1	+4.0x25mm  P14
20	10	10	4	8



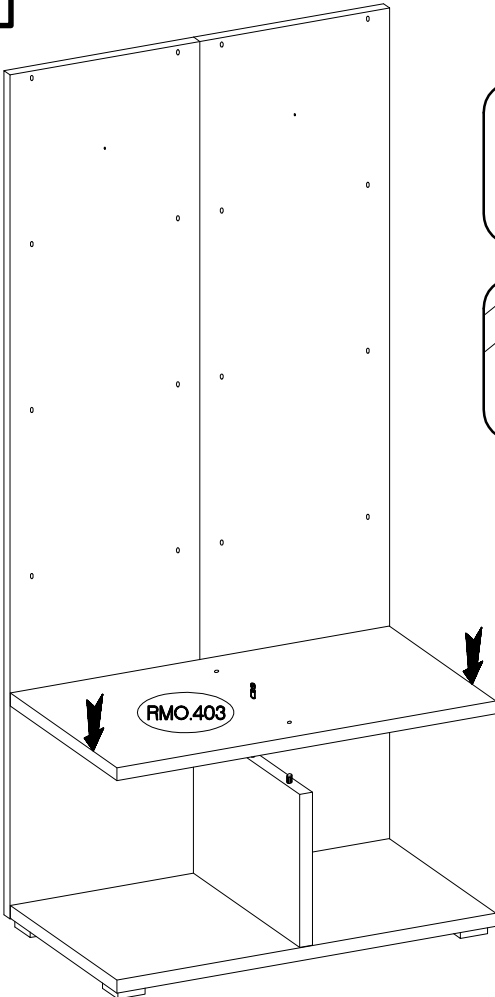
2



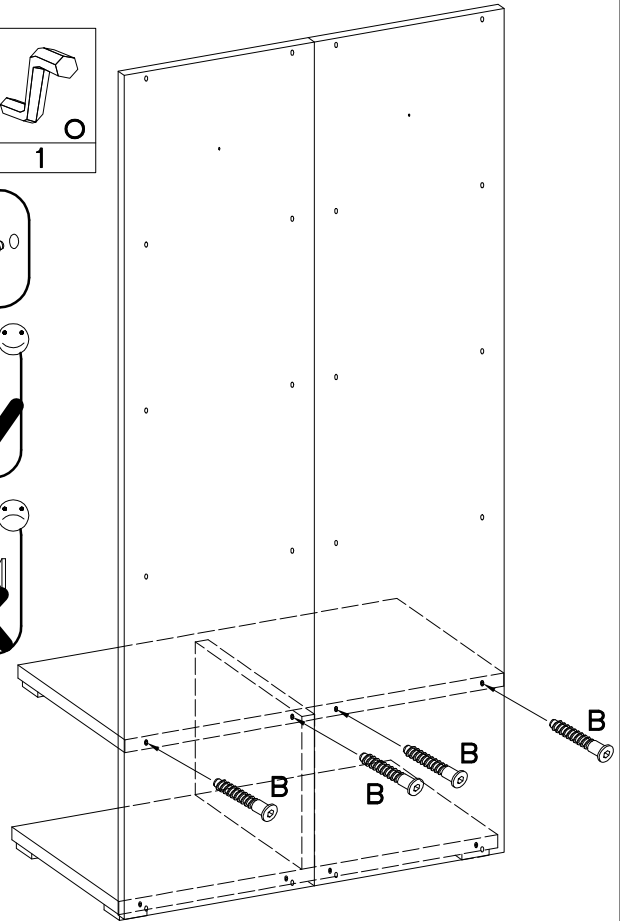
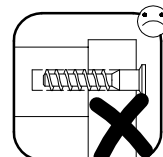
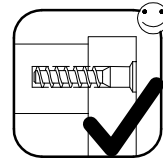
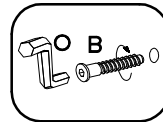
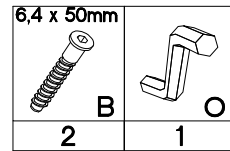
3



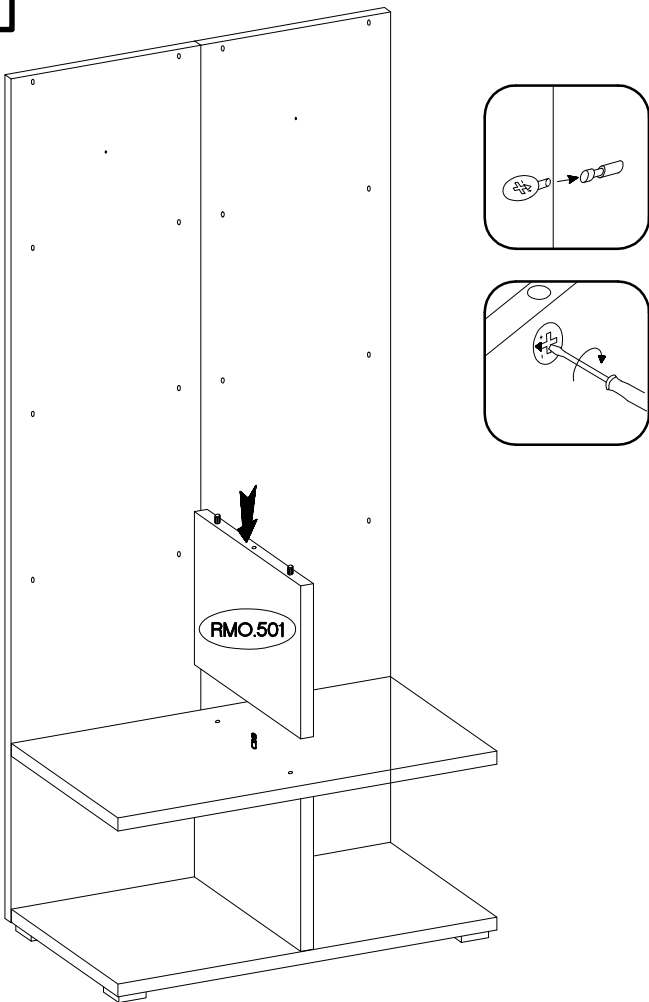
4



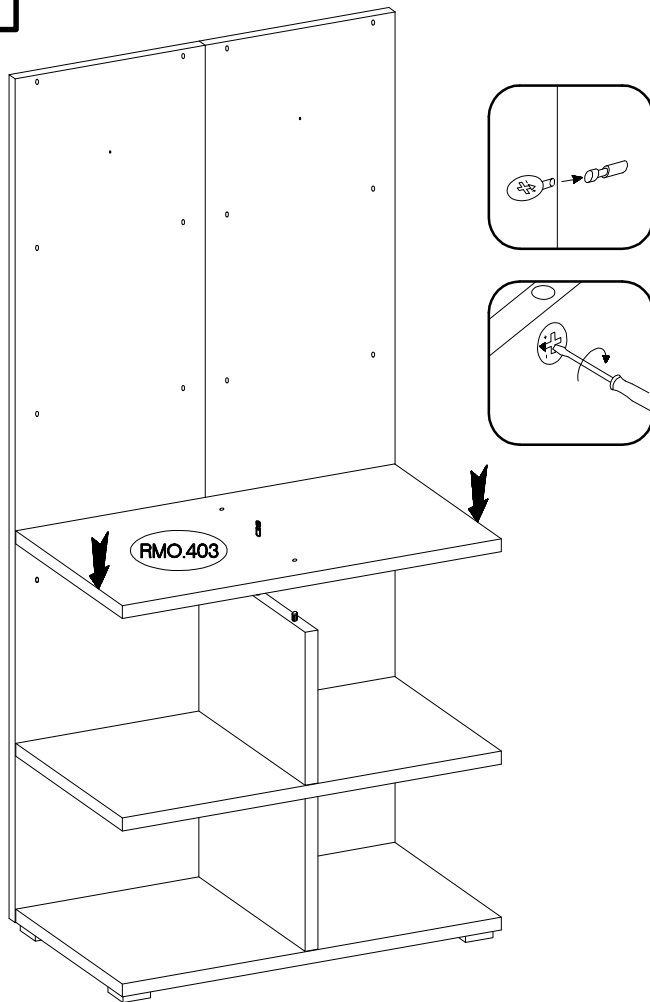
5



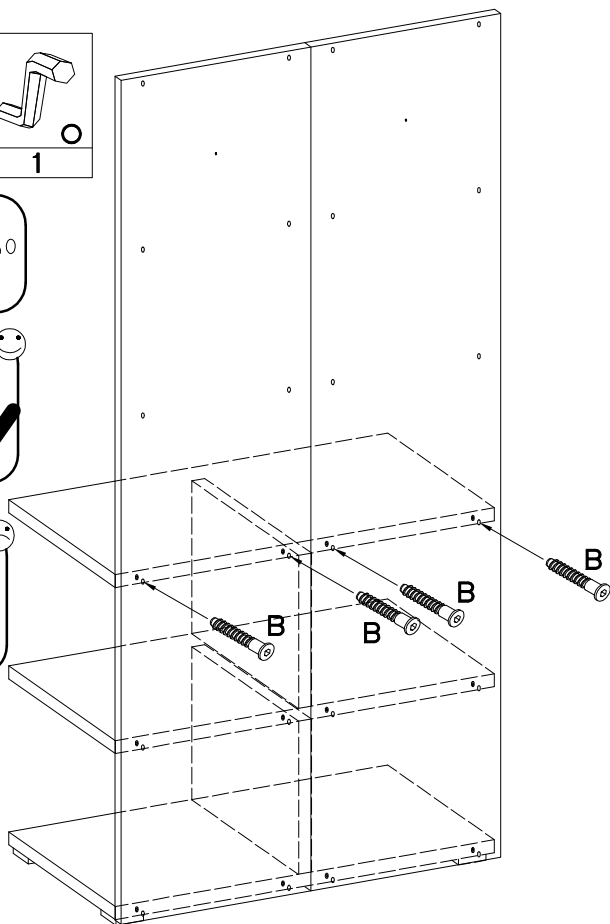
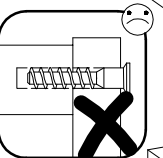
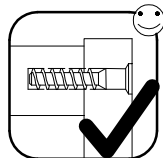
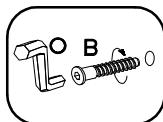
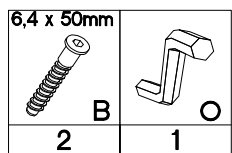
6



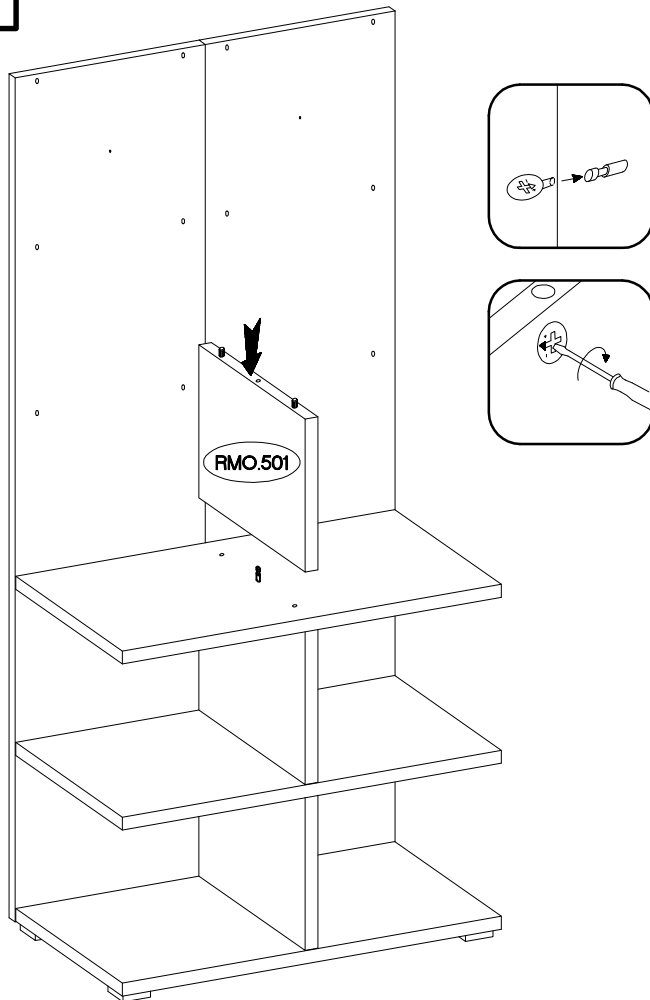
7



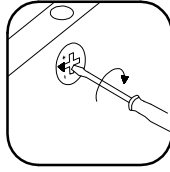
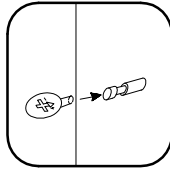
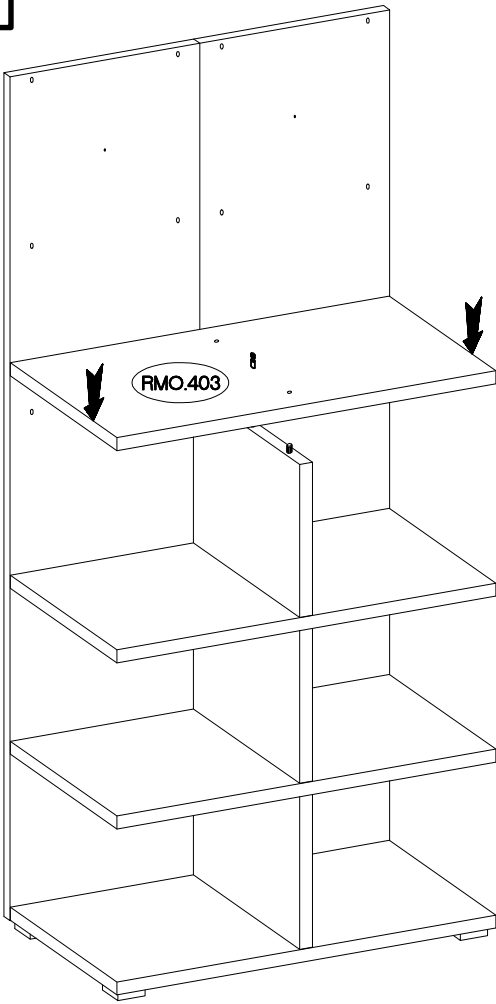
8



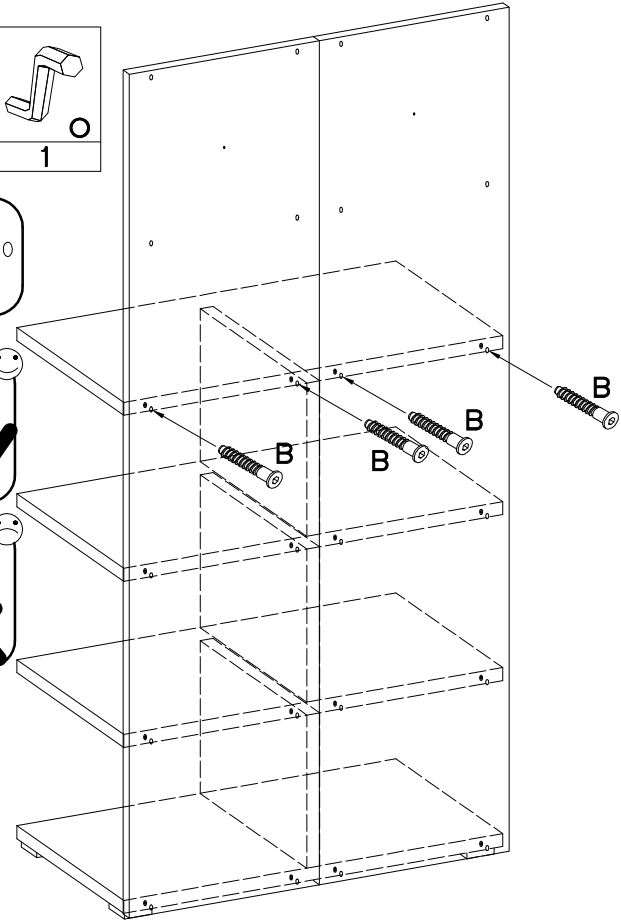
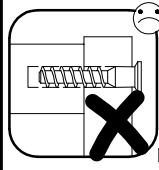
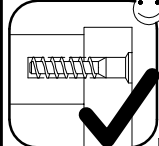
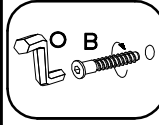
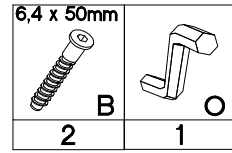
9



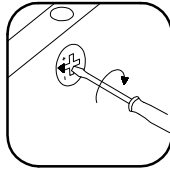
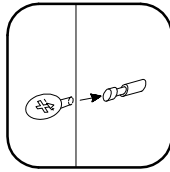
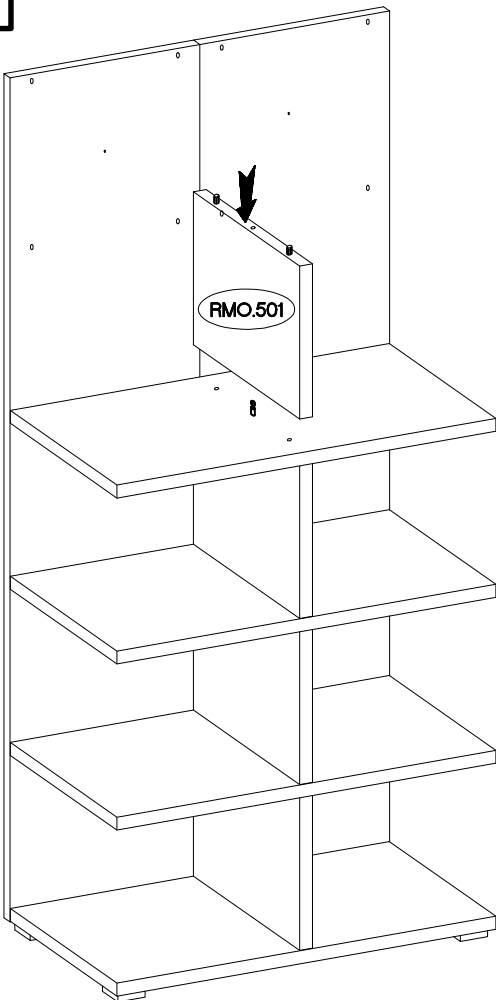
10



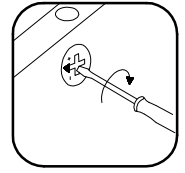
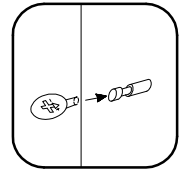
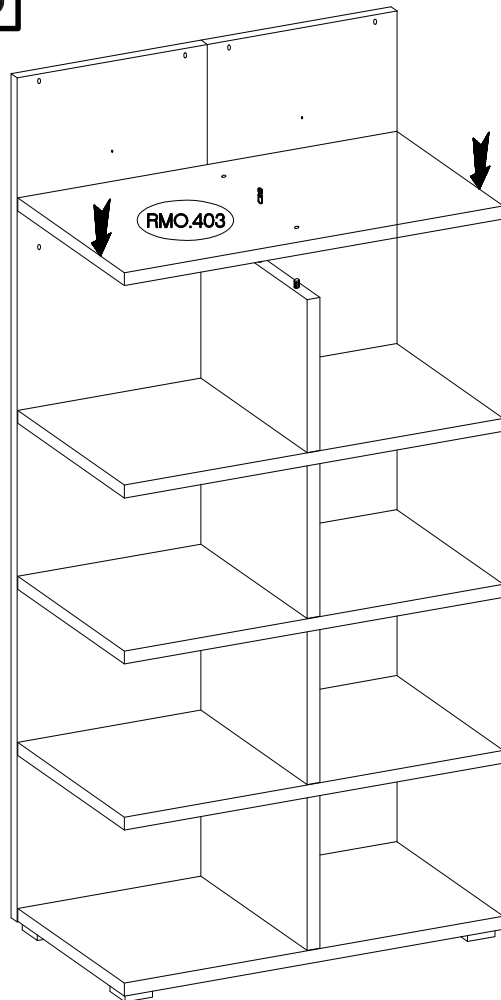
11



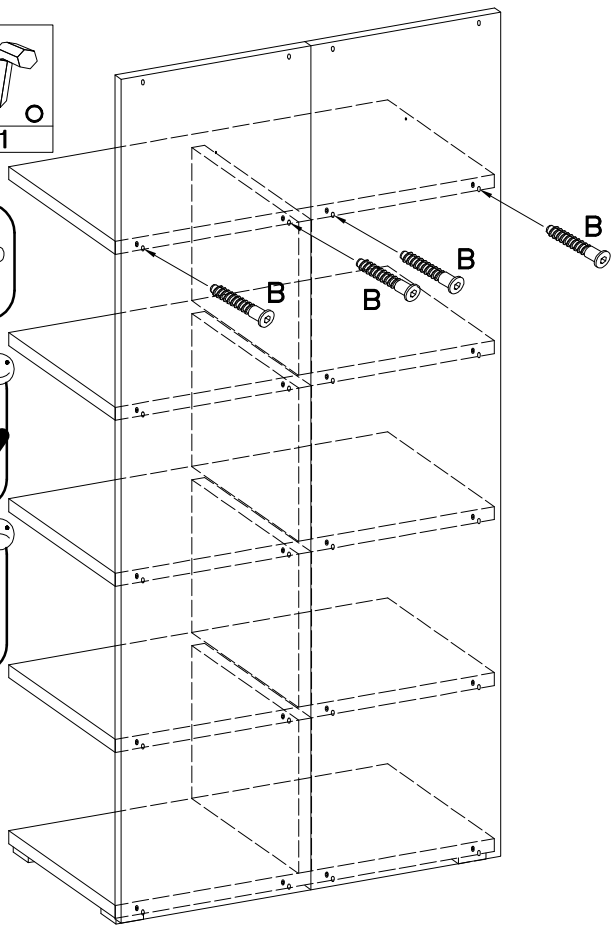
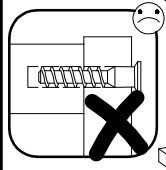
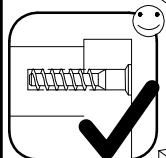
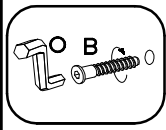
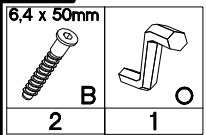
12



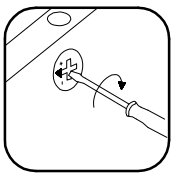
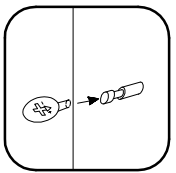
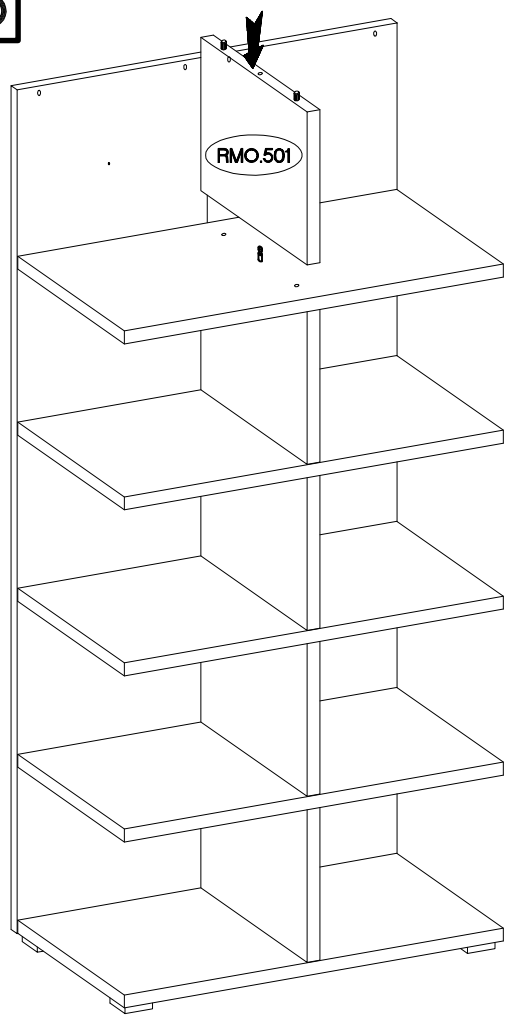
13



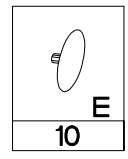
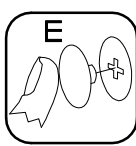
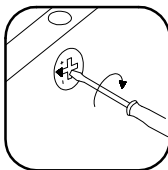
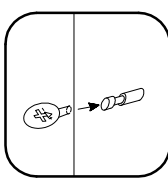
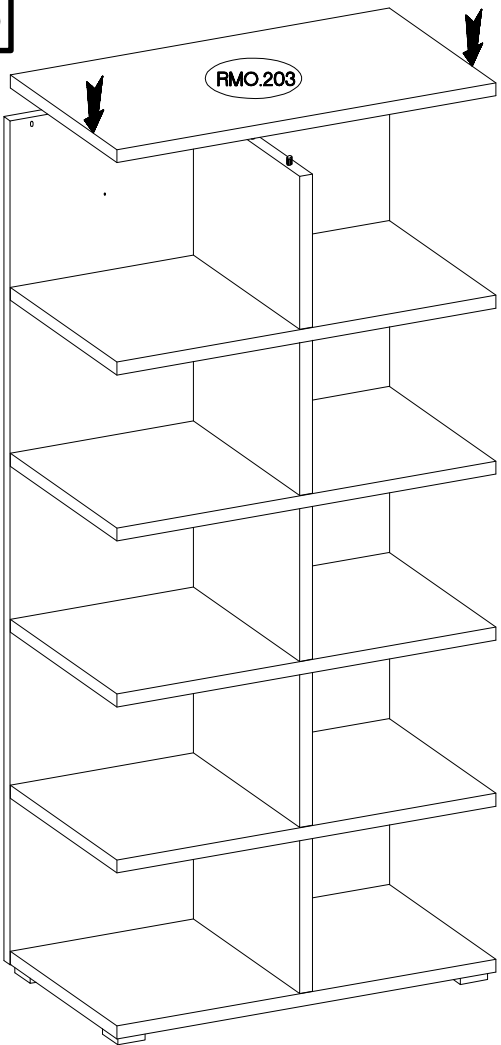
14



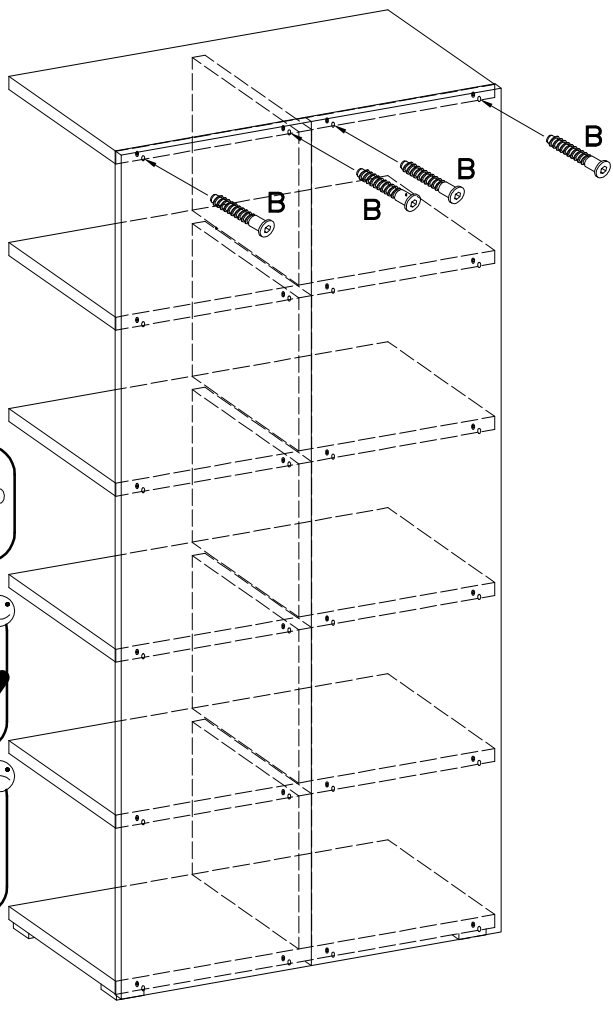
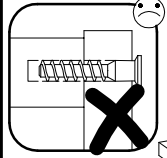
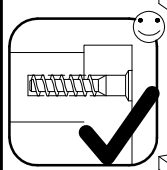
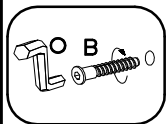
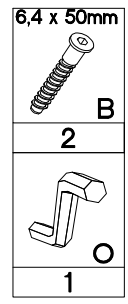
15



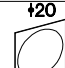


16

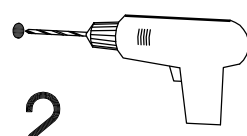


17



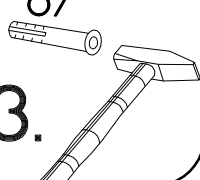
 $\varnothing 10 \times 50 \text{mm}$	 $\varnothing 5.0 \times 70 \text{mm}$	 $\varnothing 20$
O7 2	P29 2	E11 2

$\varnothing 10 \text{mm}$



2.

O7



3.

