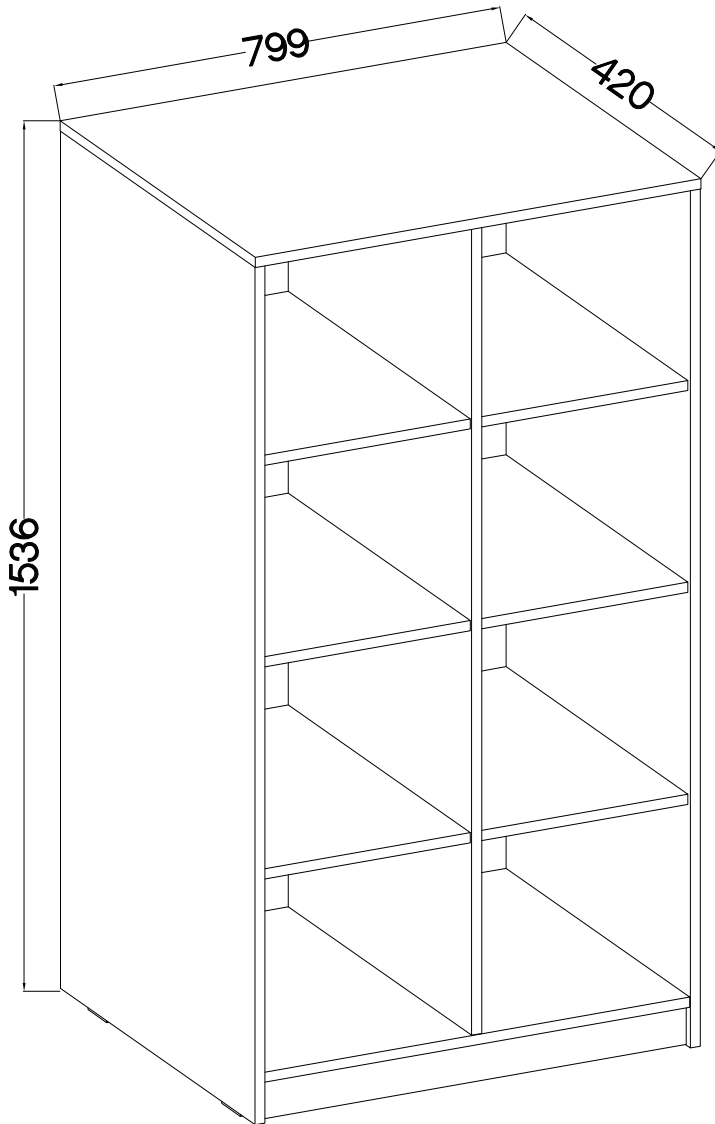
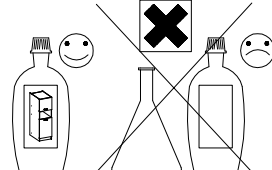


60 min

MALTA TYP 106

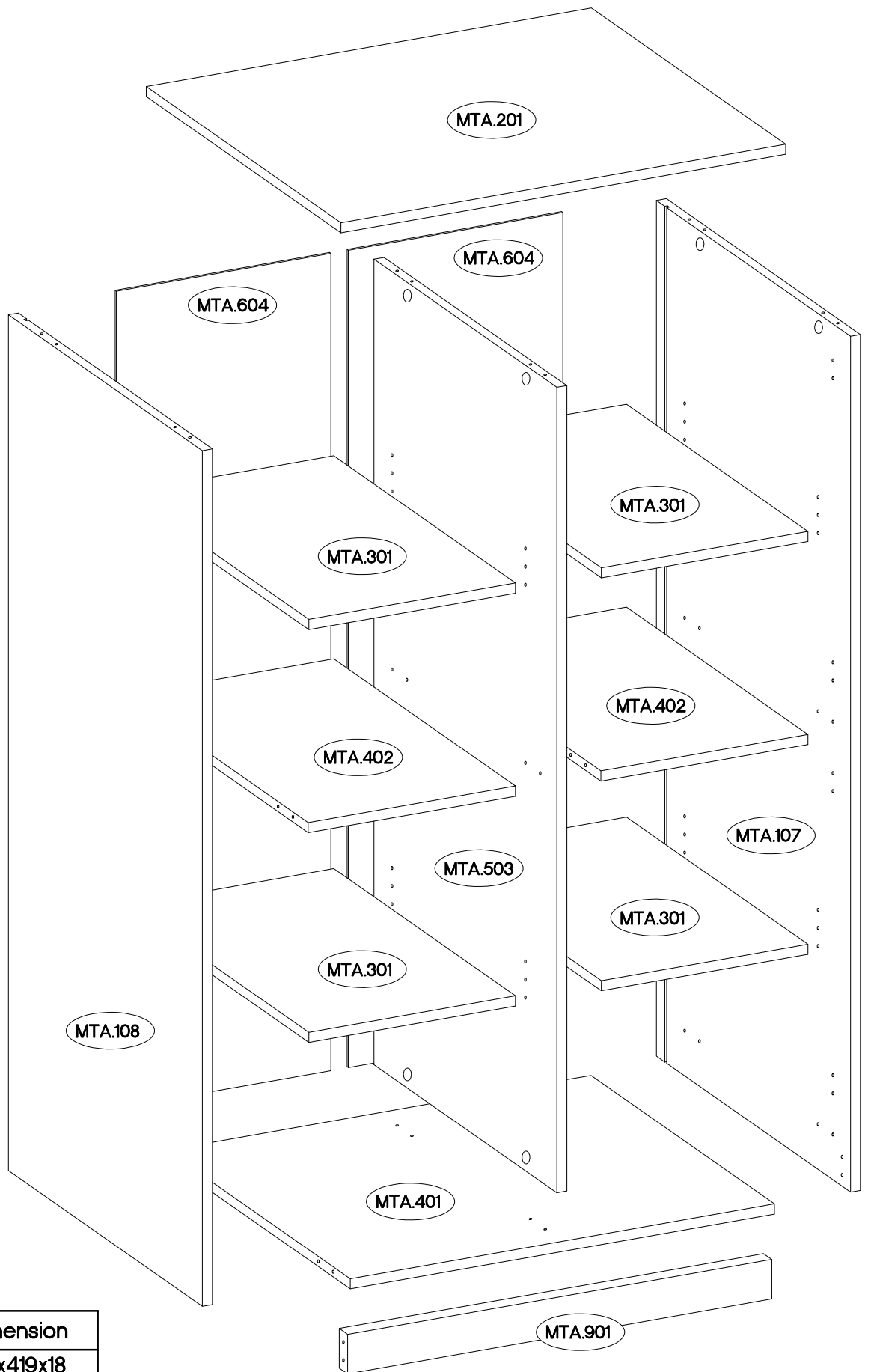


†8x30mm A	†8x60mm A2	†15/12mm C	L=20mm D2
20	2	20	16

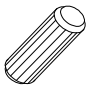
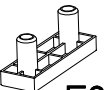

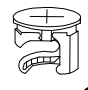
L=56mm D4	†20 E11	6.5x48x16 F2	†5/16mm J3
2	16	4	16

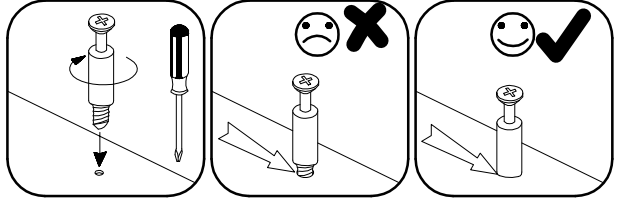
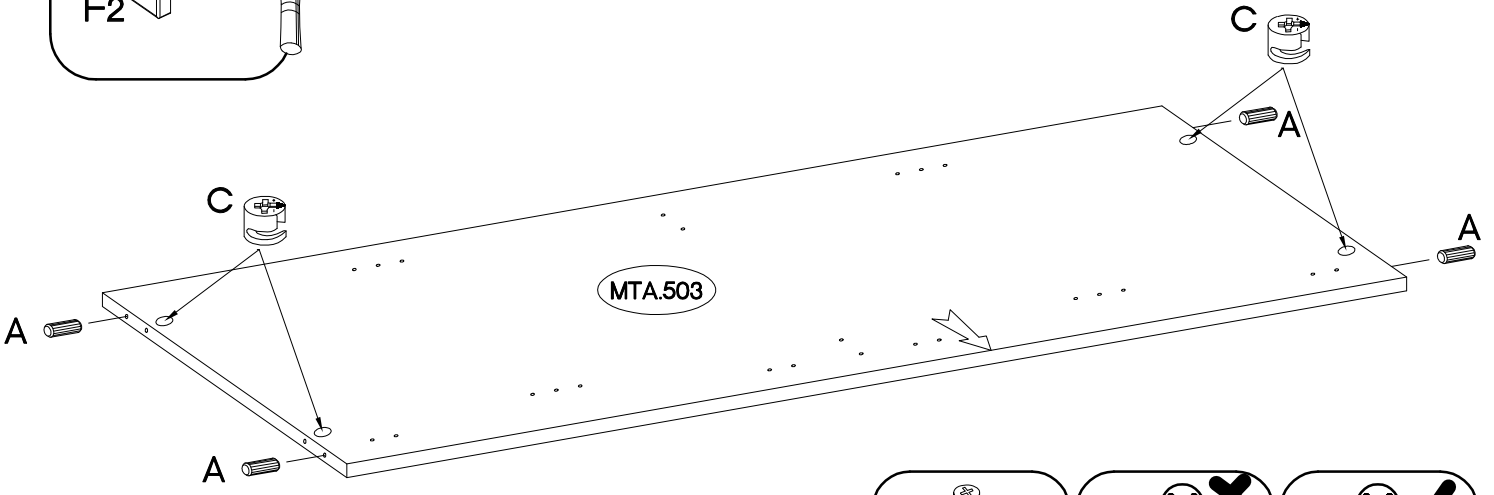
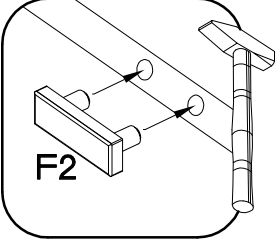
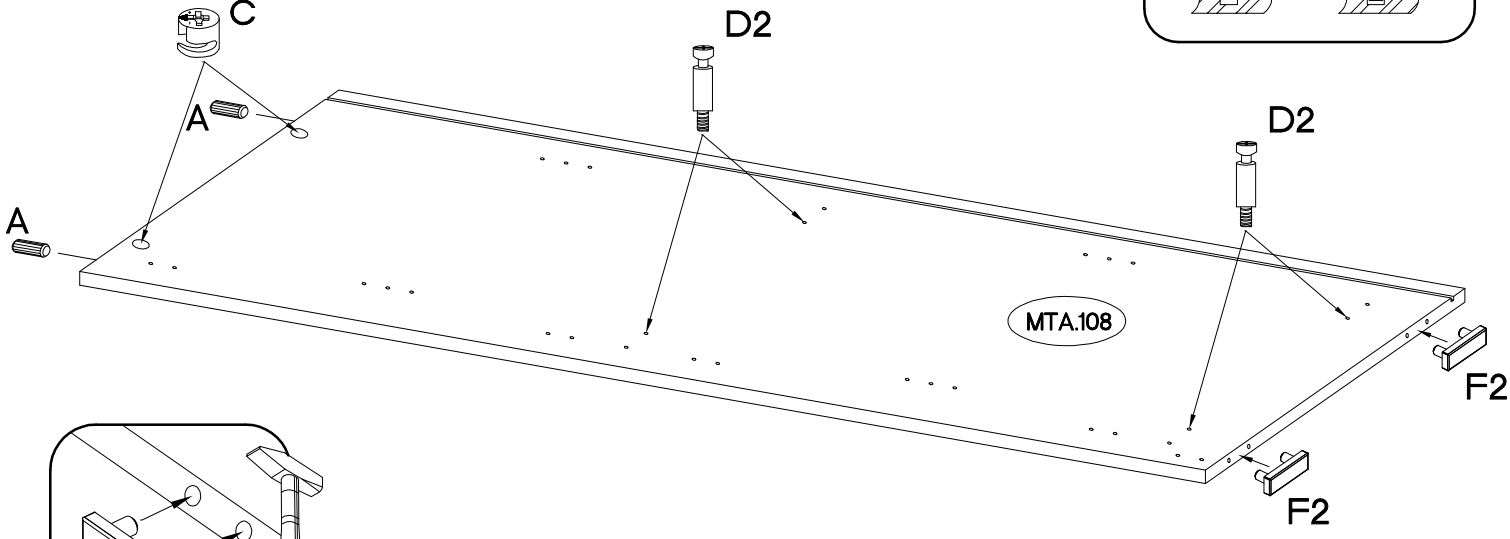
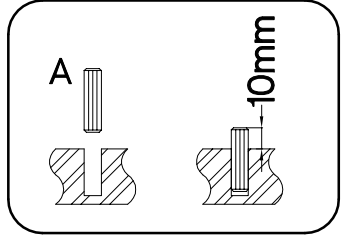
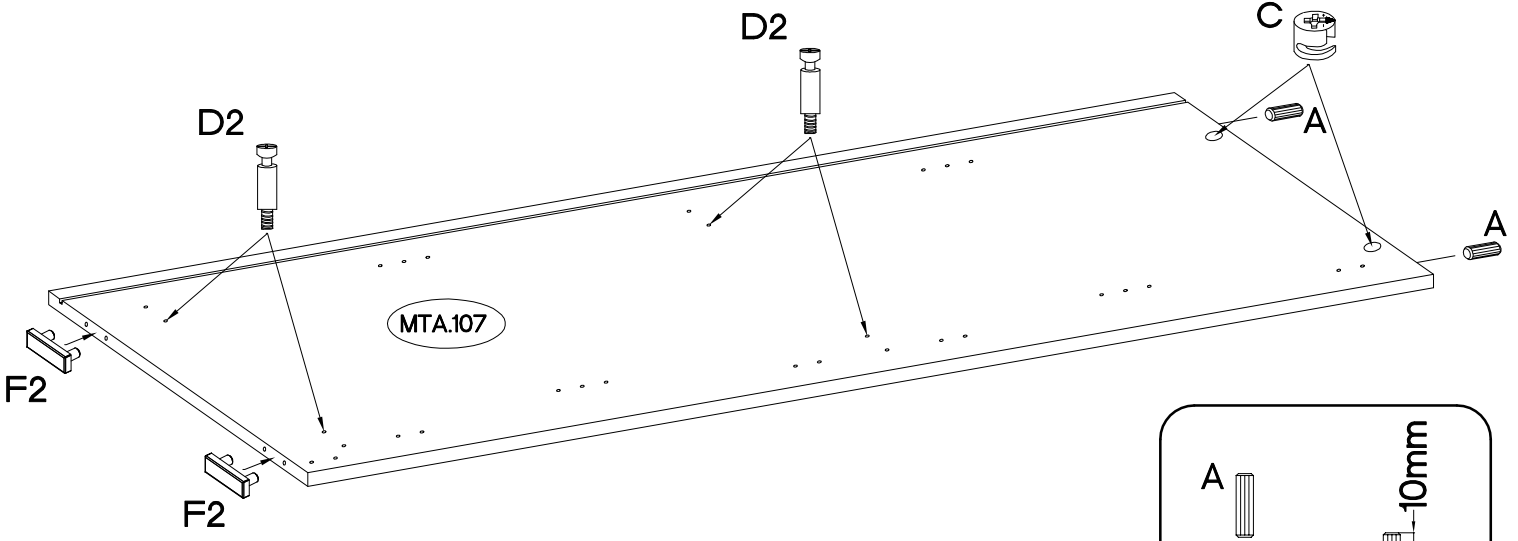
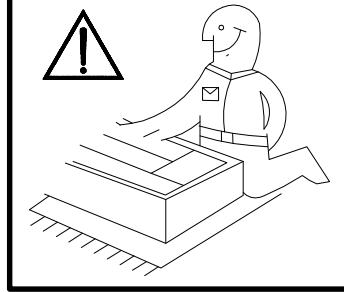
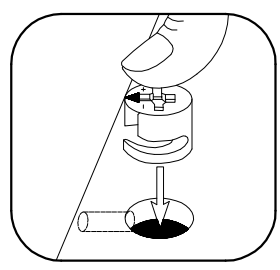
 L	 L2	 L9	†5 M10	†10x50mm O7	†3.5x13mm P5	†3.0x20mm P7
14	10	1	2	1	1	22





ISM-MTA-05

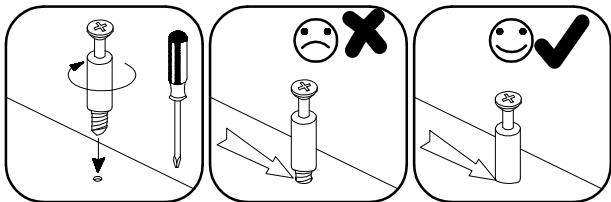
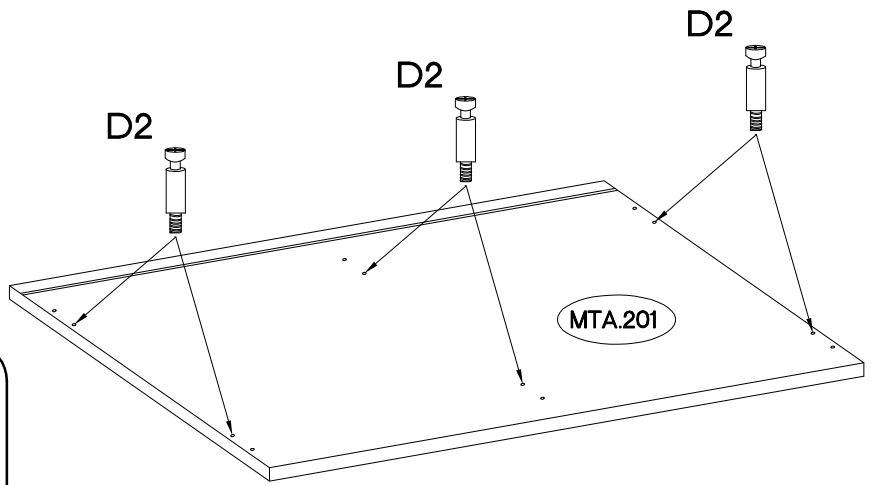
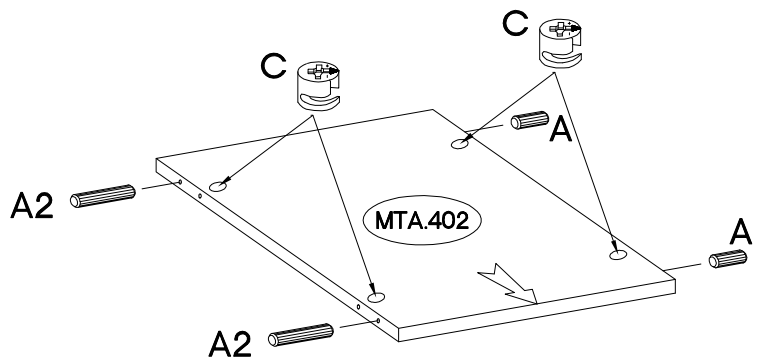
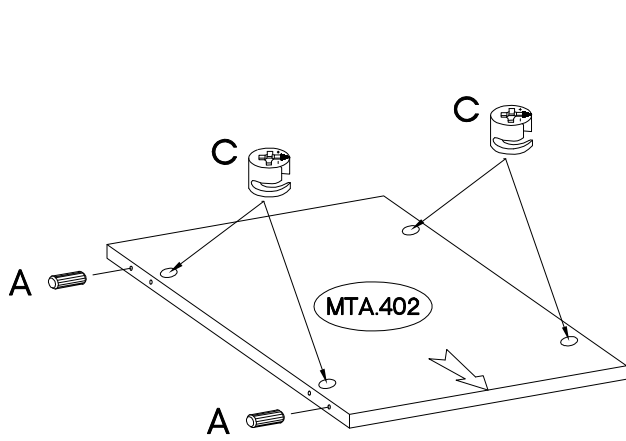
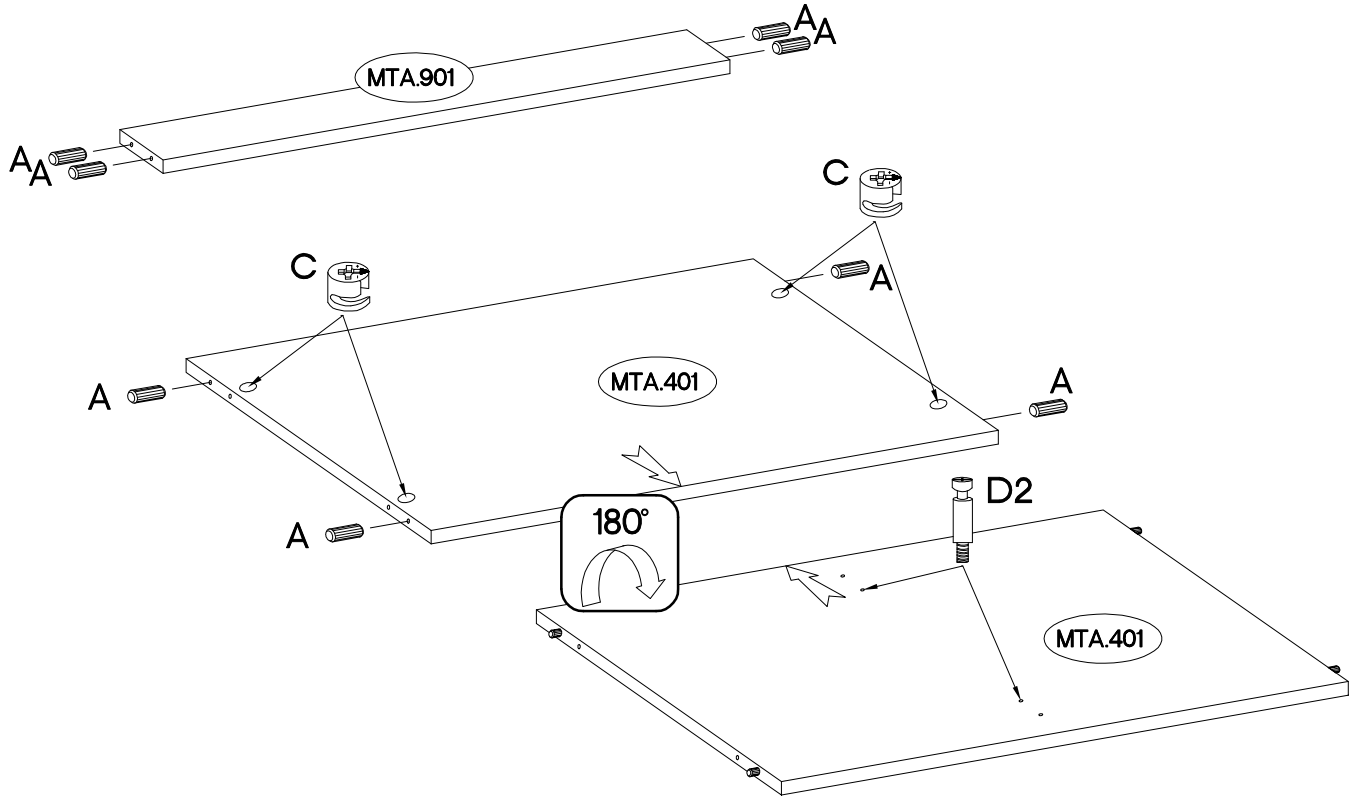
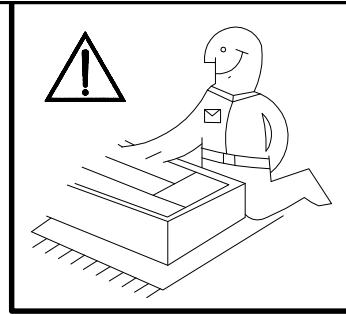
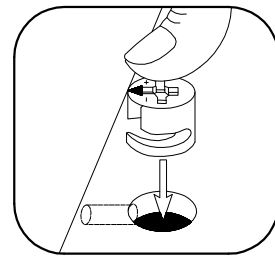


Ersatzteil Nummer	Dimension
MTA.107	1513x419x18
MTA.108	1513x419x18
MTA.201	799x420x18
MTA.301 x4	371x392x18
MTA.401	762x396x18
MTA.402 x2	372x392x18
MTA.503	1424x395x18
MTA.604 x2	1445x385x2,5
MTA.901	762x70x18

$\varnothing 8 \times 30 \text{mm}$  A 8	$6.5 \times 48 \times 16$  F2 4	$L=20 \text{mm}$  D2 8	$\varnothing 15 / 12 \text{mm}$  C 8
---	--	---	---

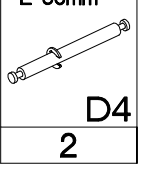


 <p>±8x30mm A</p>	 <p>±8x60mm A2</p>	 <p>L=20mm D2</p>	 <p>±15/12mm C</p>
12	2	8	12



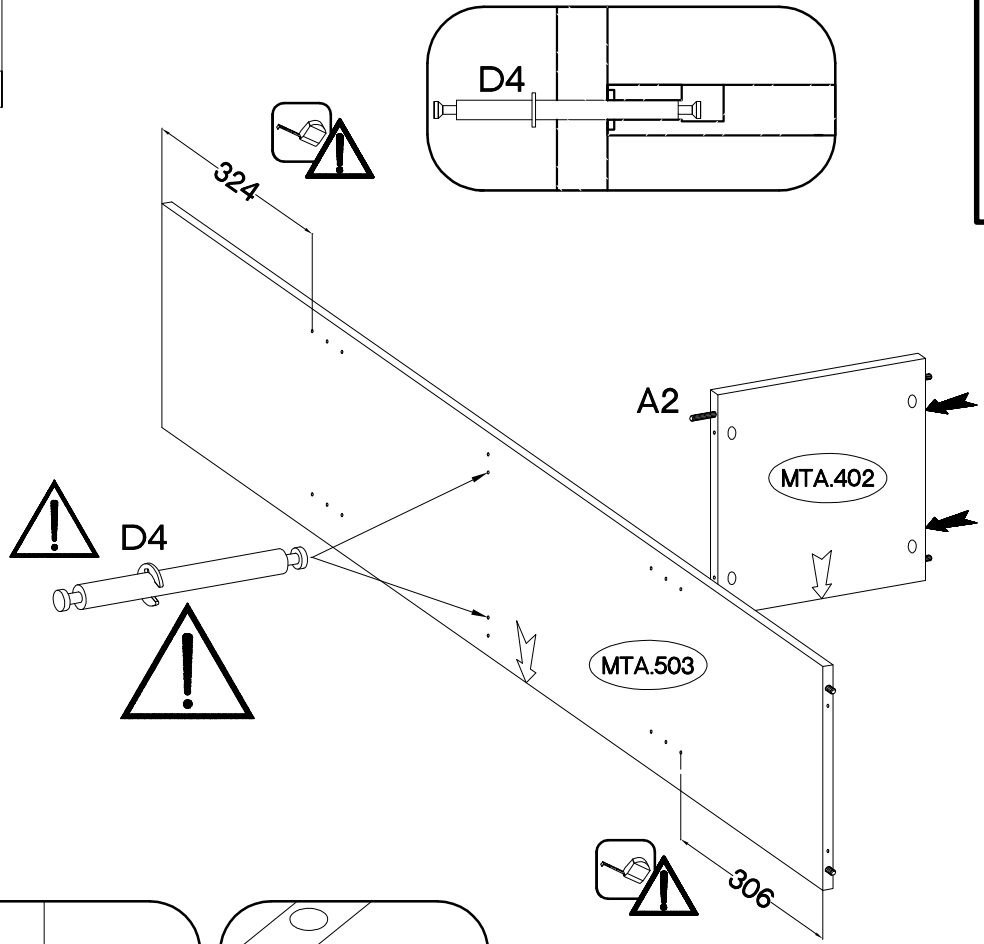
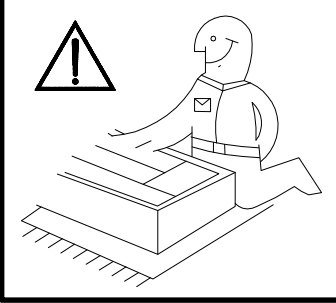
3

L=56mm

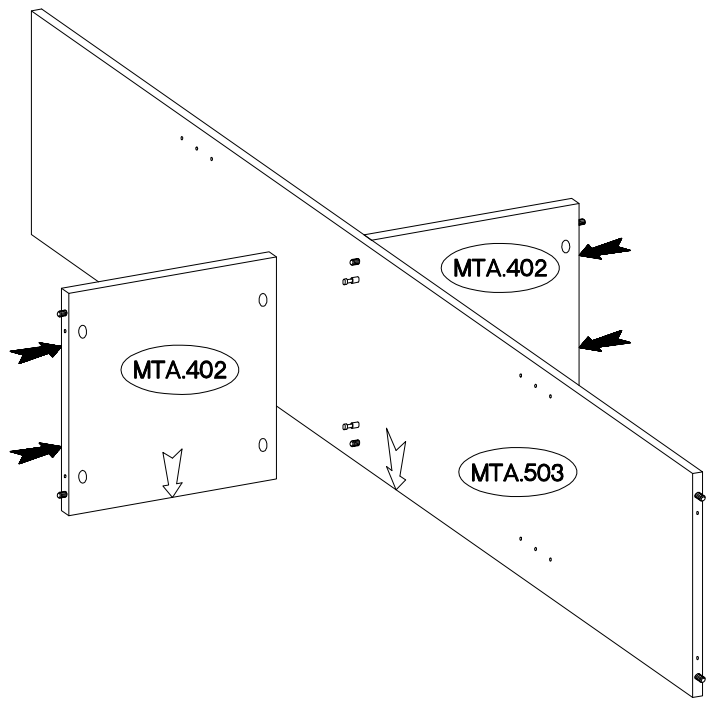
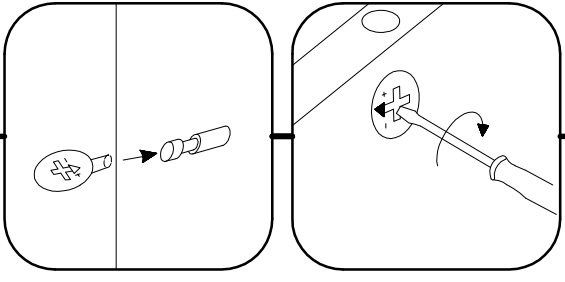


D4

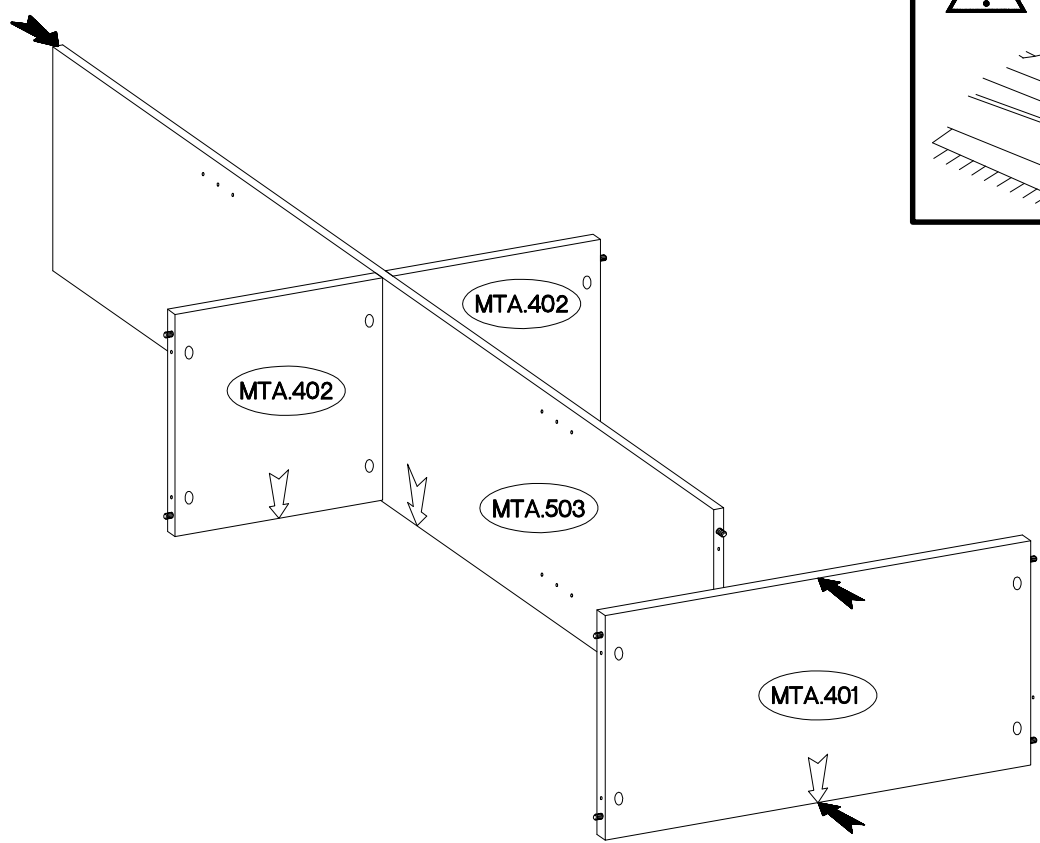
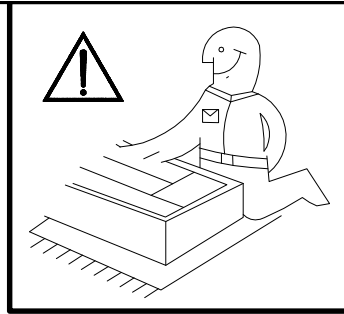
2



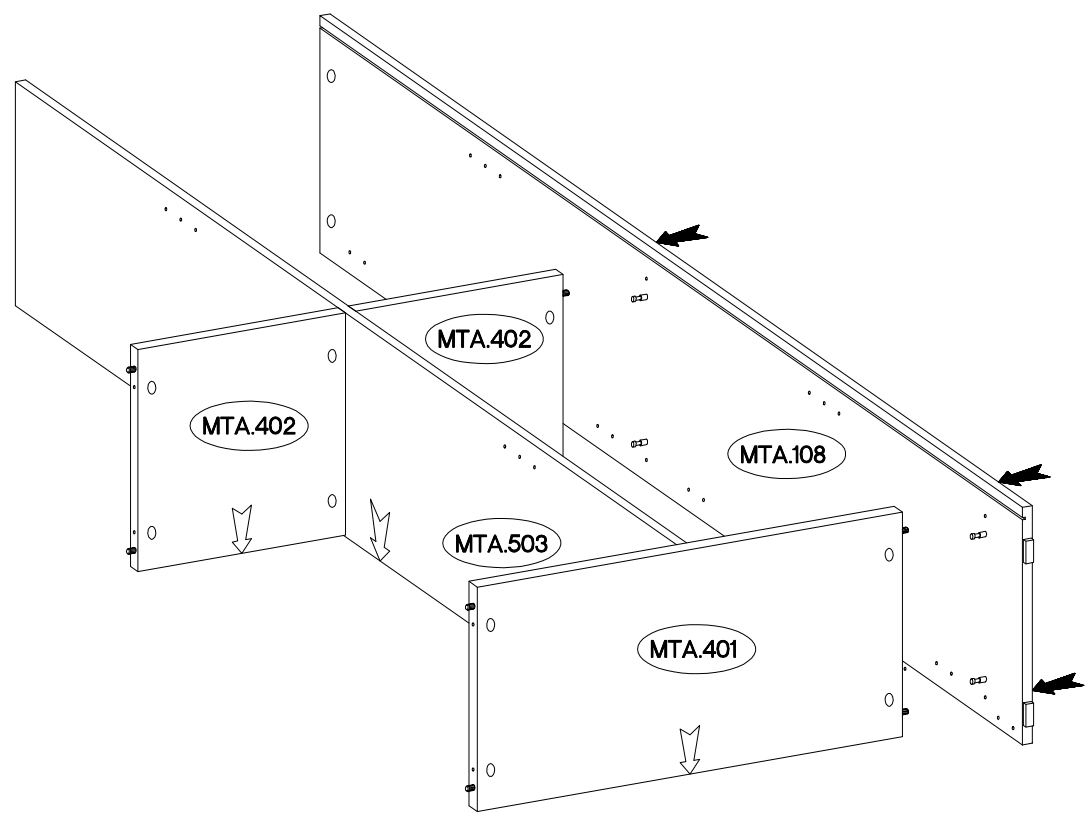
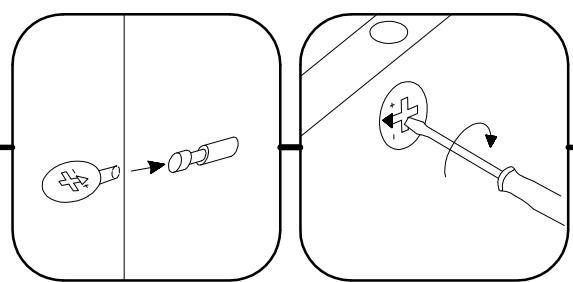
4



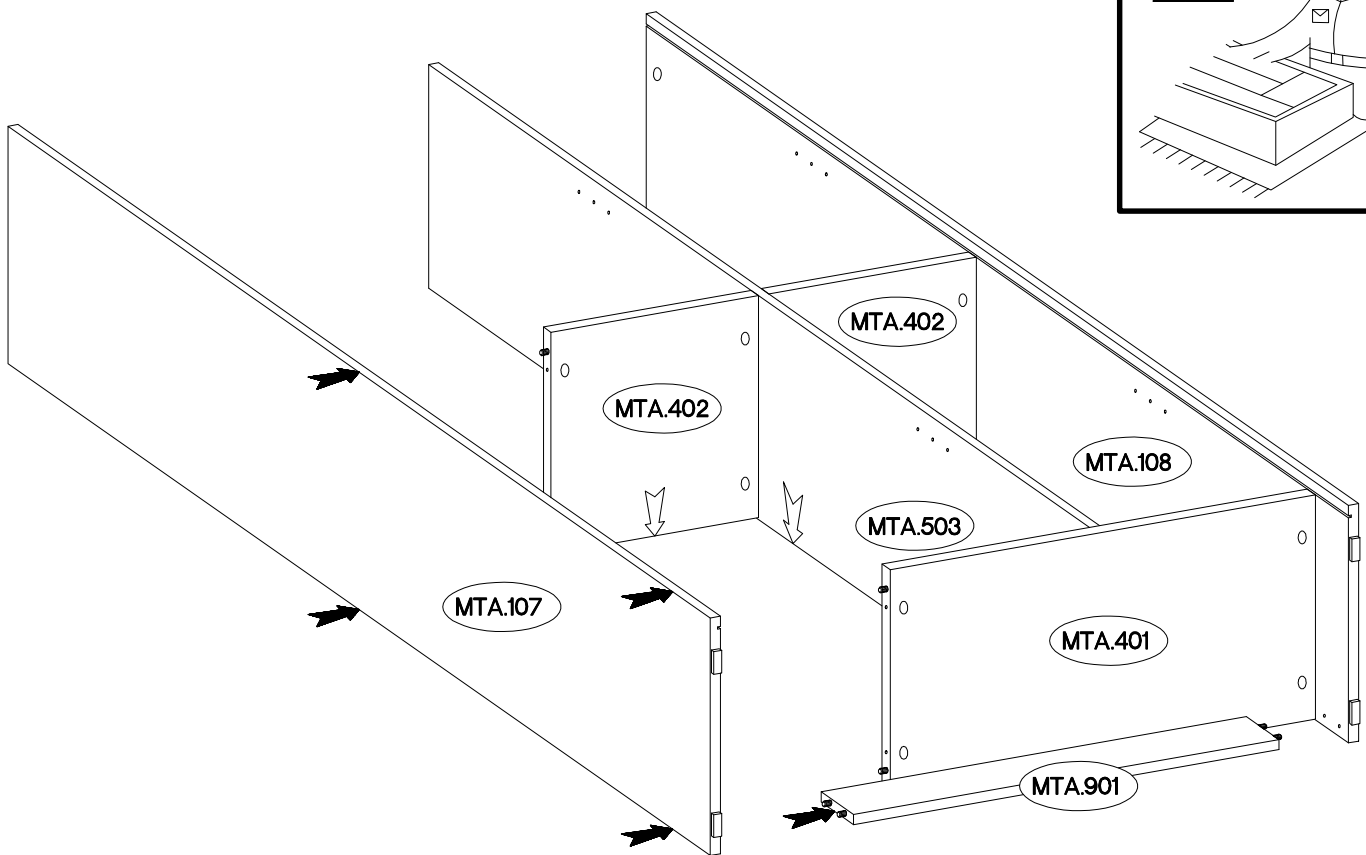
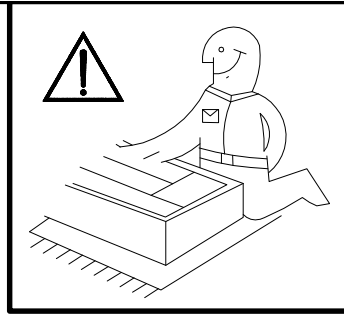
5



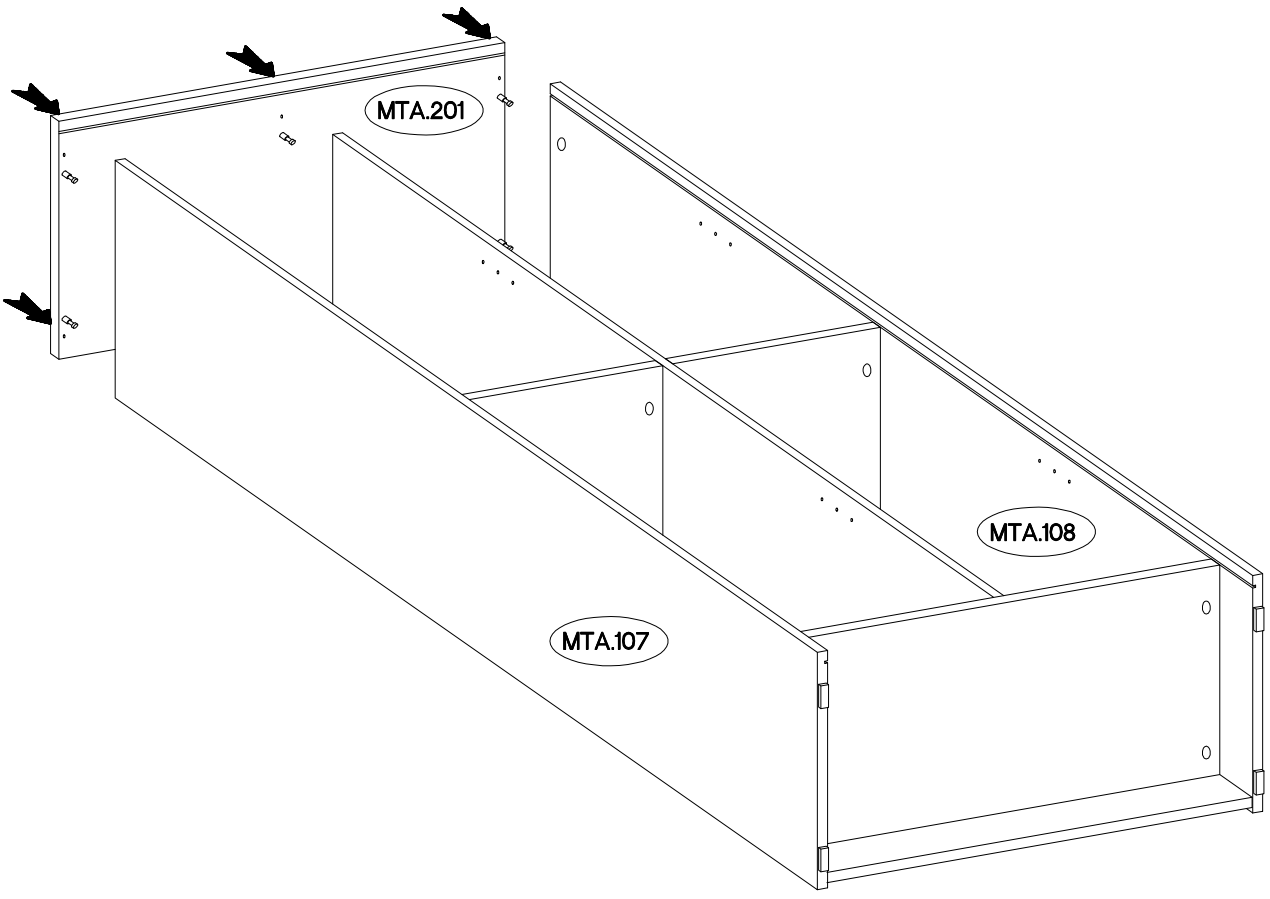
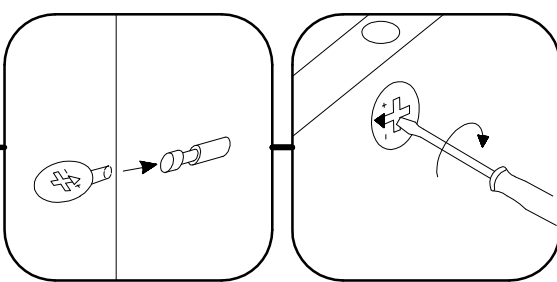
6



7



8

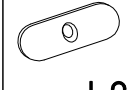


±3.0x20mm



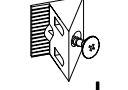
P7

22



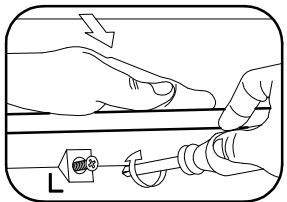
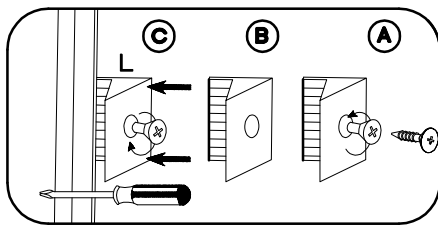
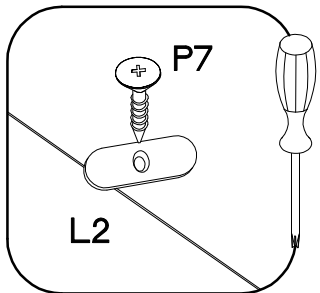
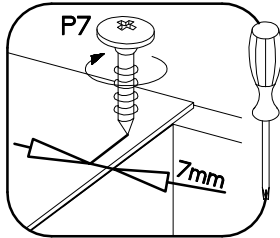
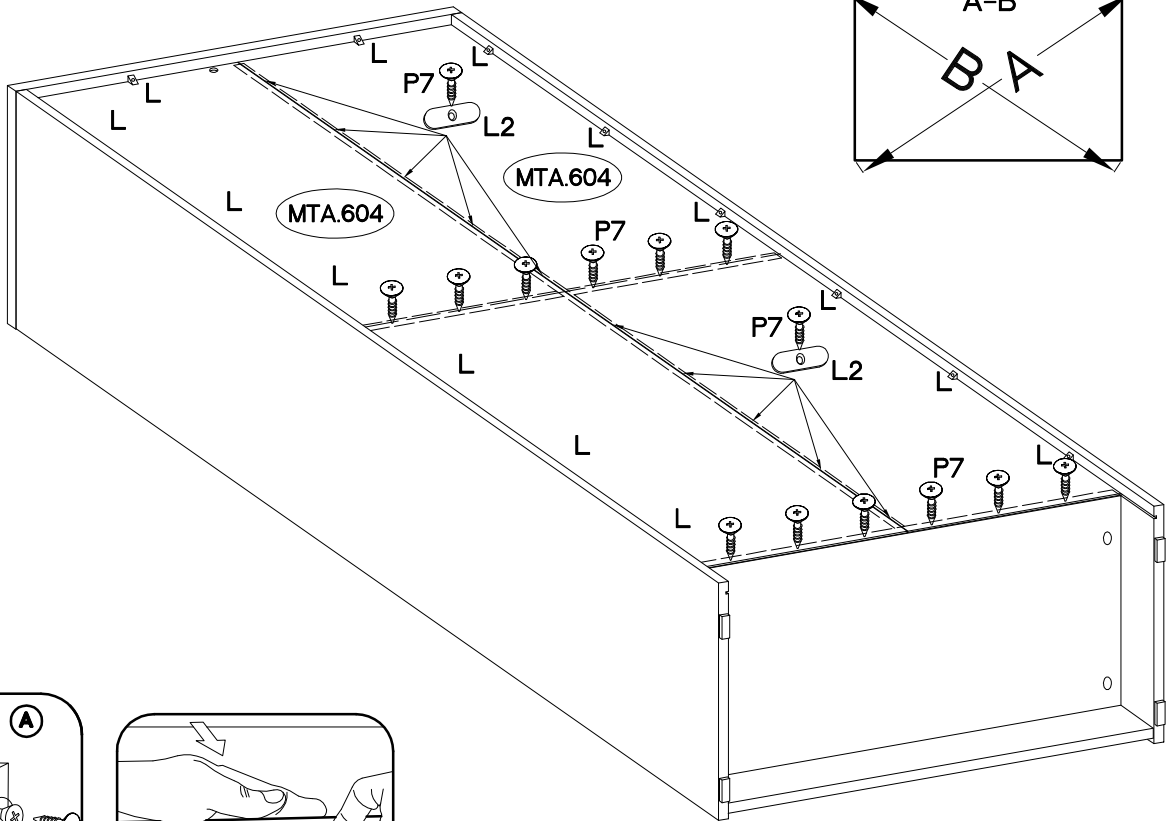
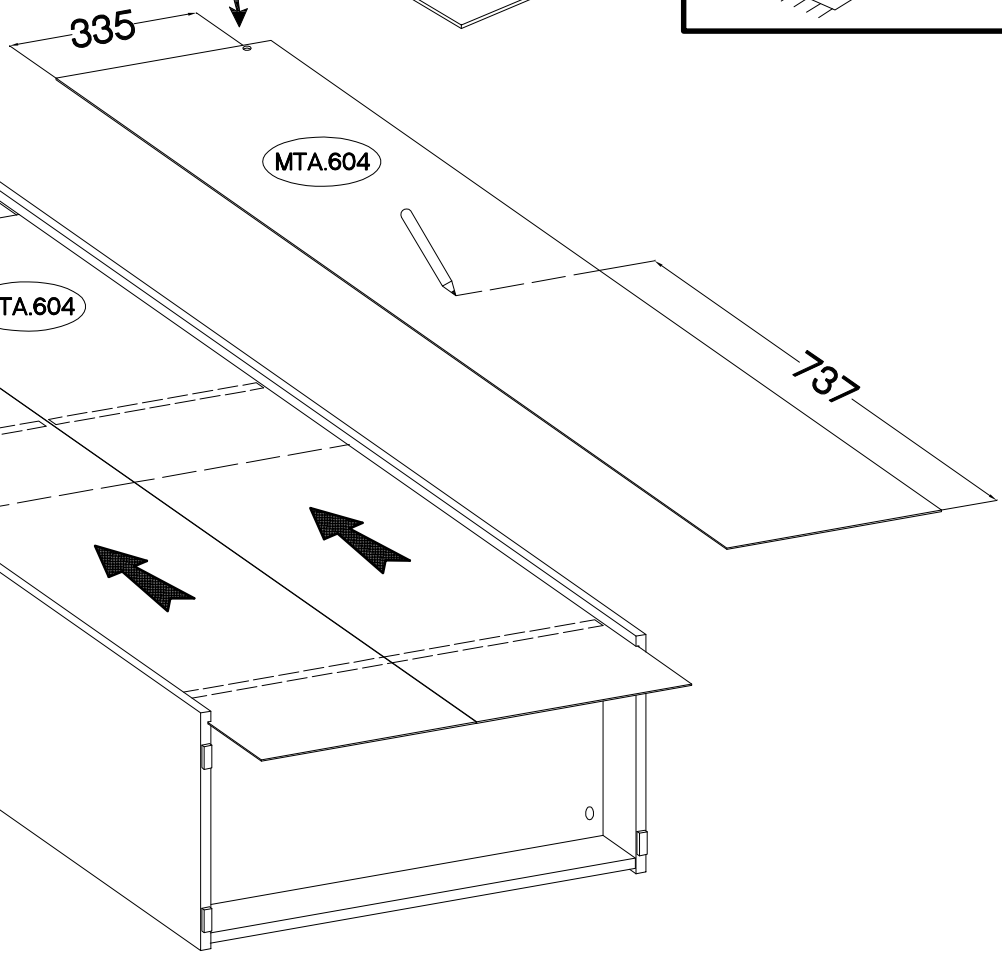
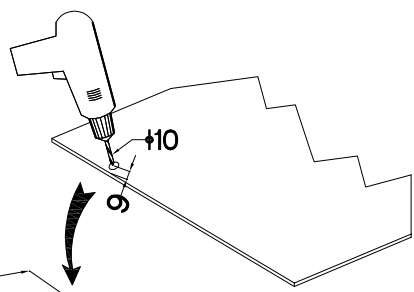
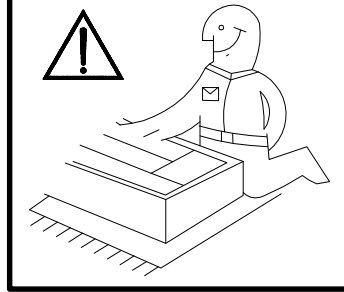
L2

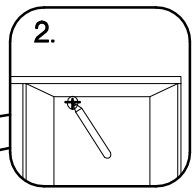
10



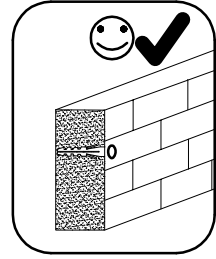
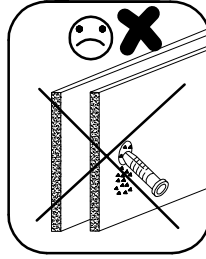
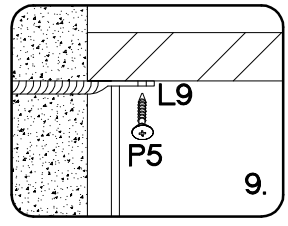
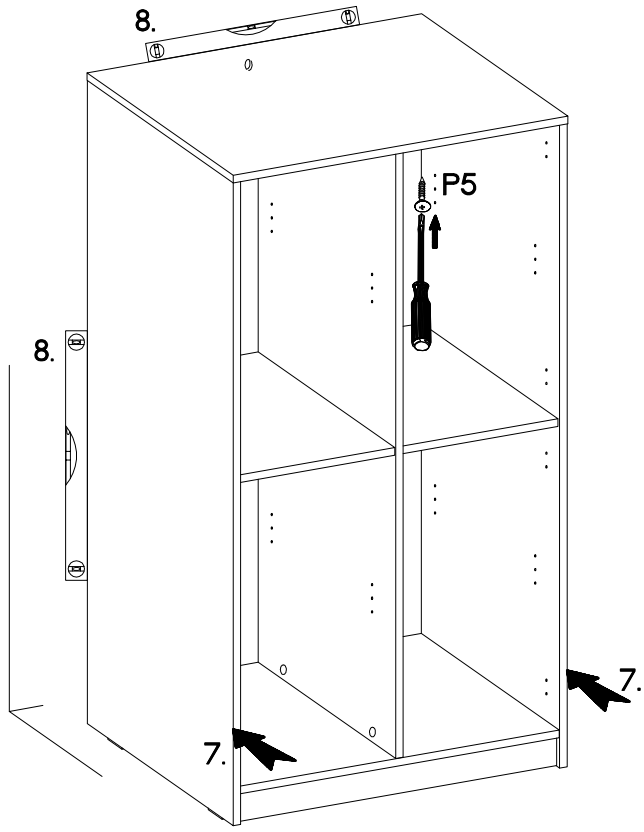
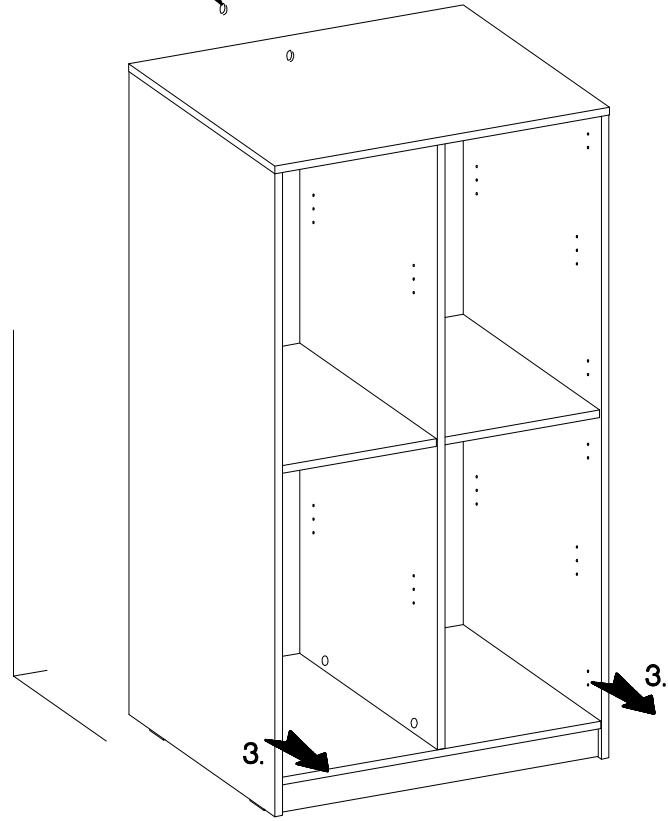
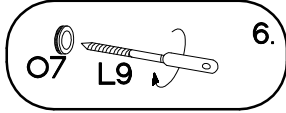
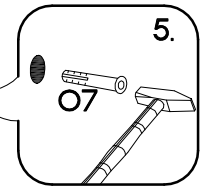
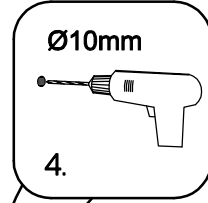
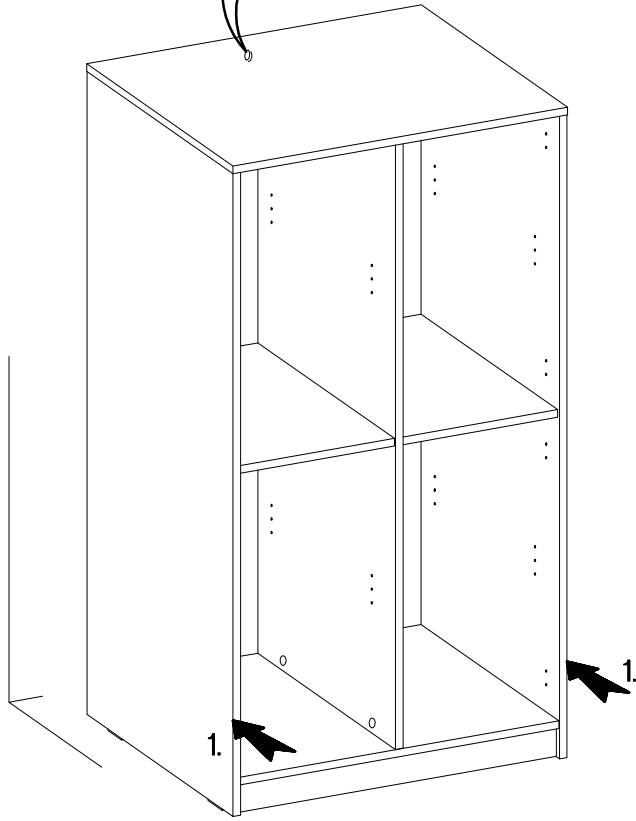
L

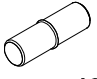
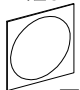
14





Ø10x50mm		Ø3.5x13mm
O7	L9	P5
1	1	1



$\pm 5/16\text{mm}$  J3 16	± 20  E11 16
---	---

