



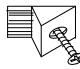











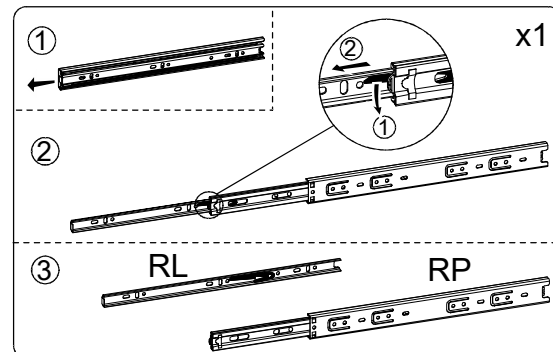
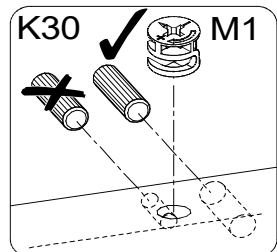
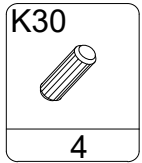
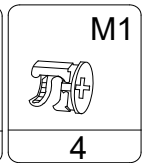
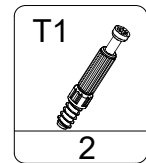
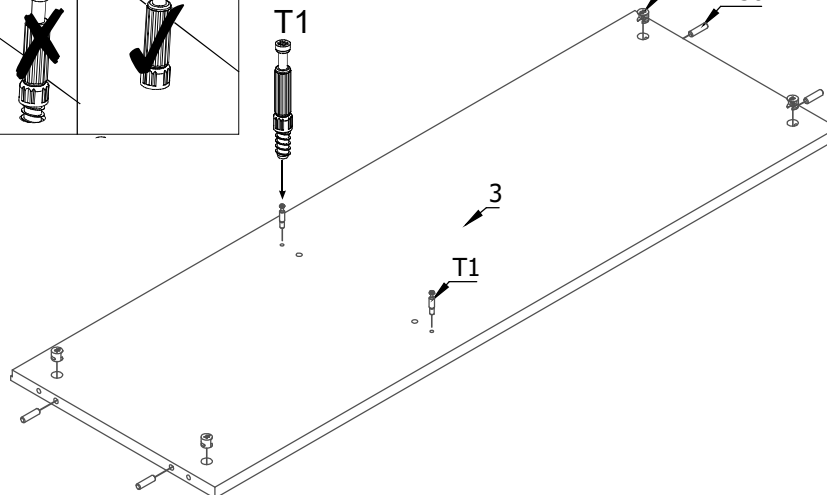
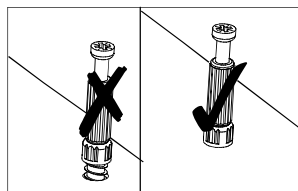
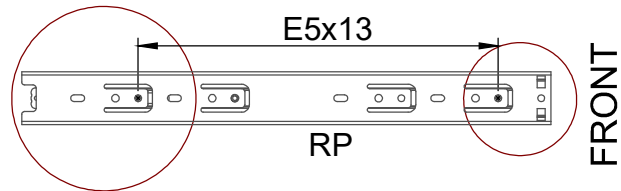
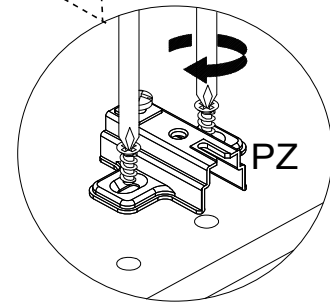
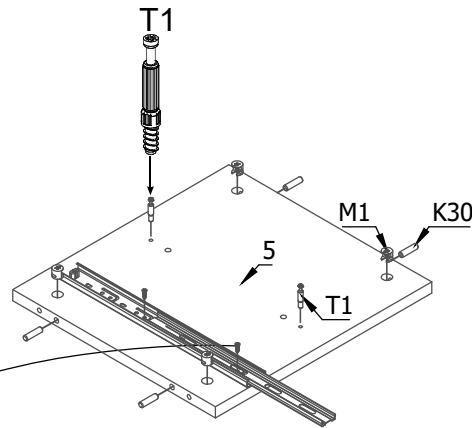
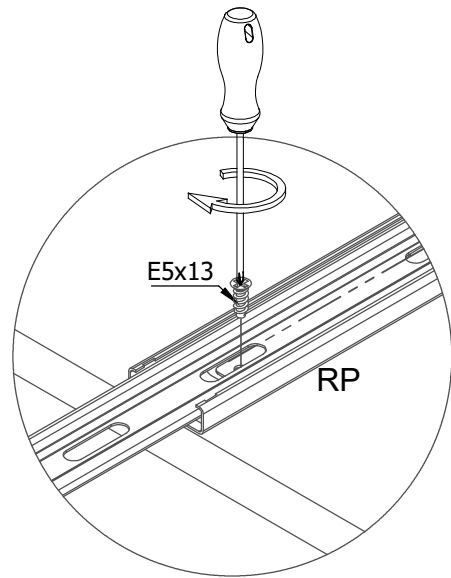
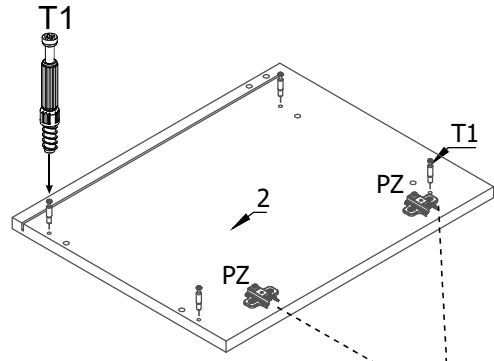
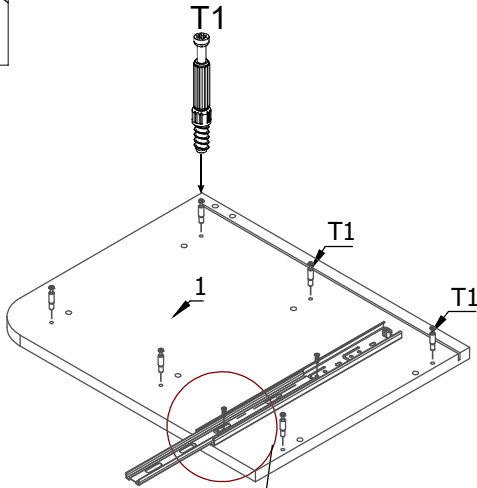
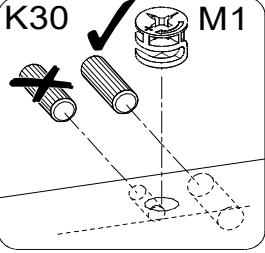
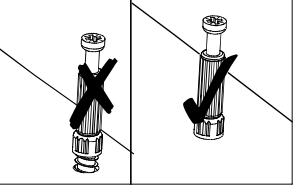
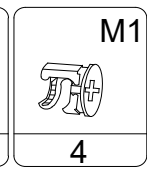
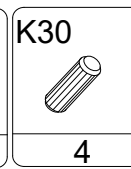
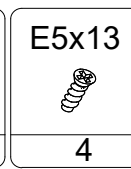
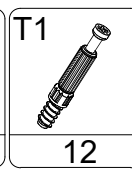
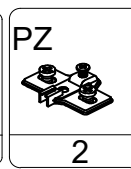
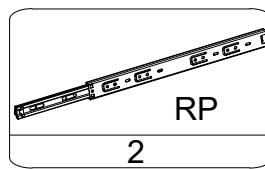

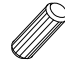




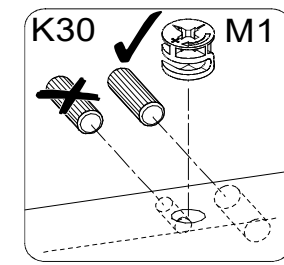
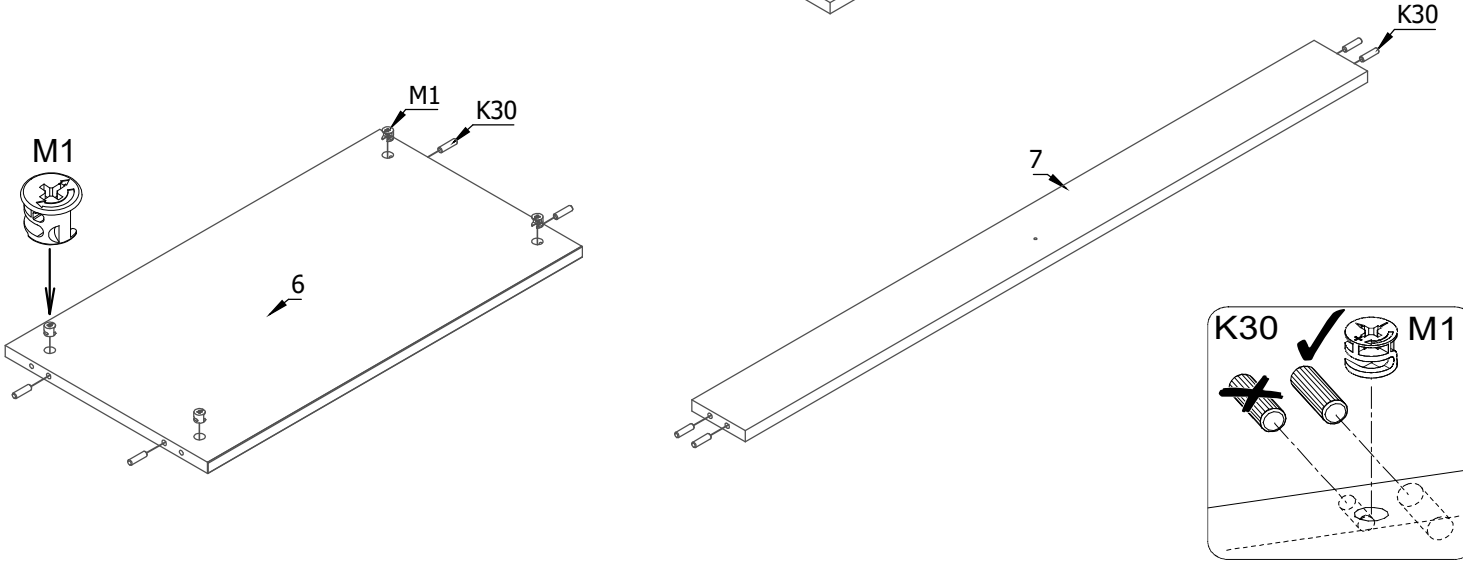
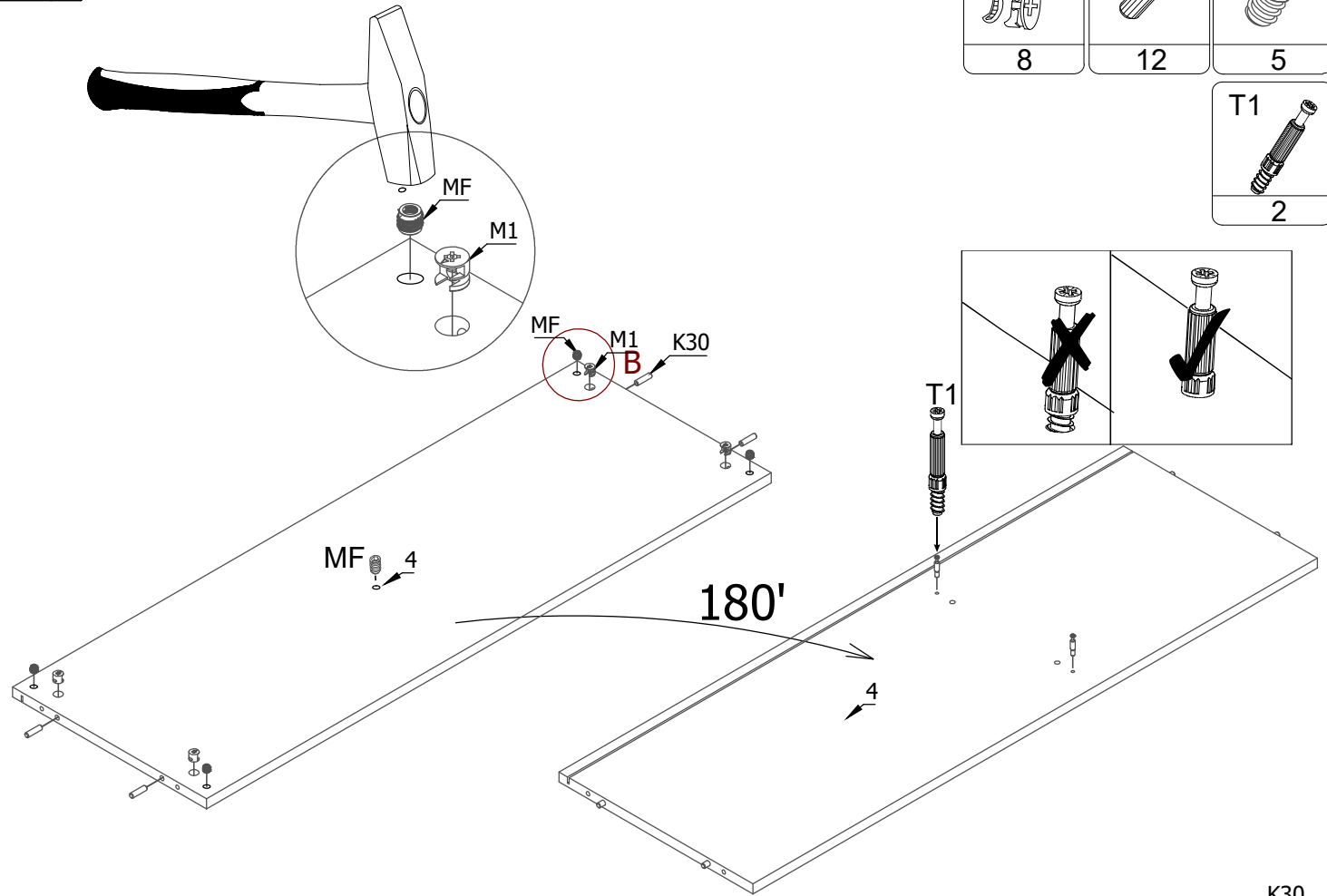
K30  30	T1  20	M1  20	X  20	STB  4	UM  1	E5x13  8	M22  1
KF  2	W4x16  4	MF  5	SM  5				
Q  1	4.0x30  1	ZP  2	PZ  2				





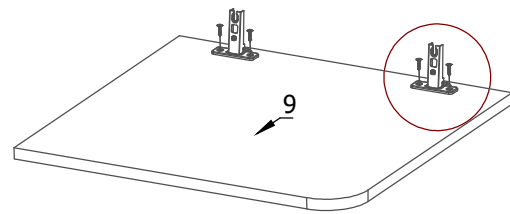
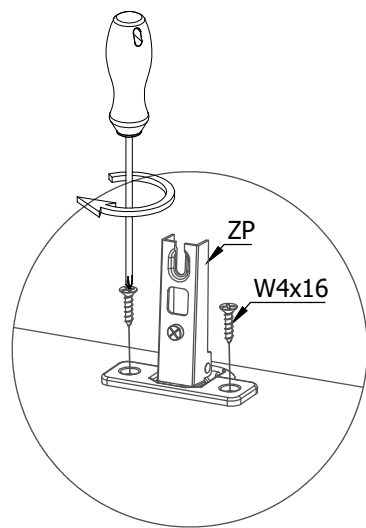


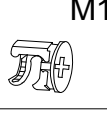
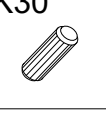
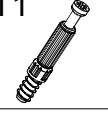




M1	K30	MF
		
8	12	5

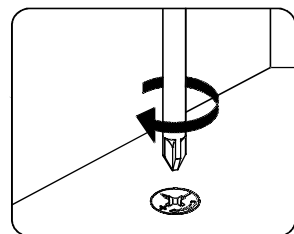
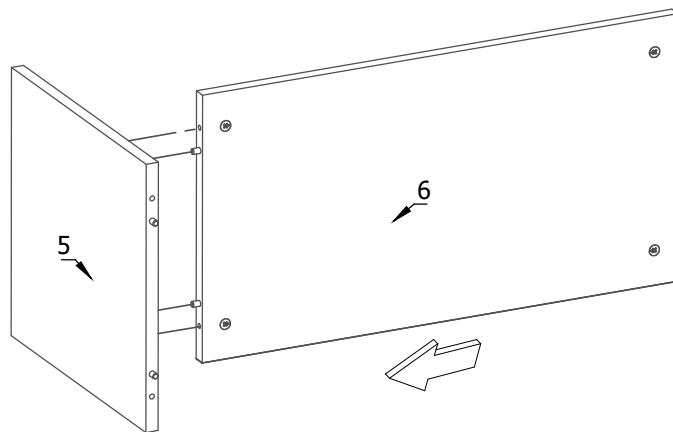
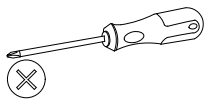
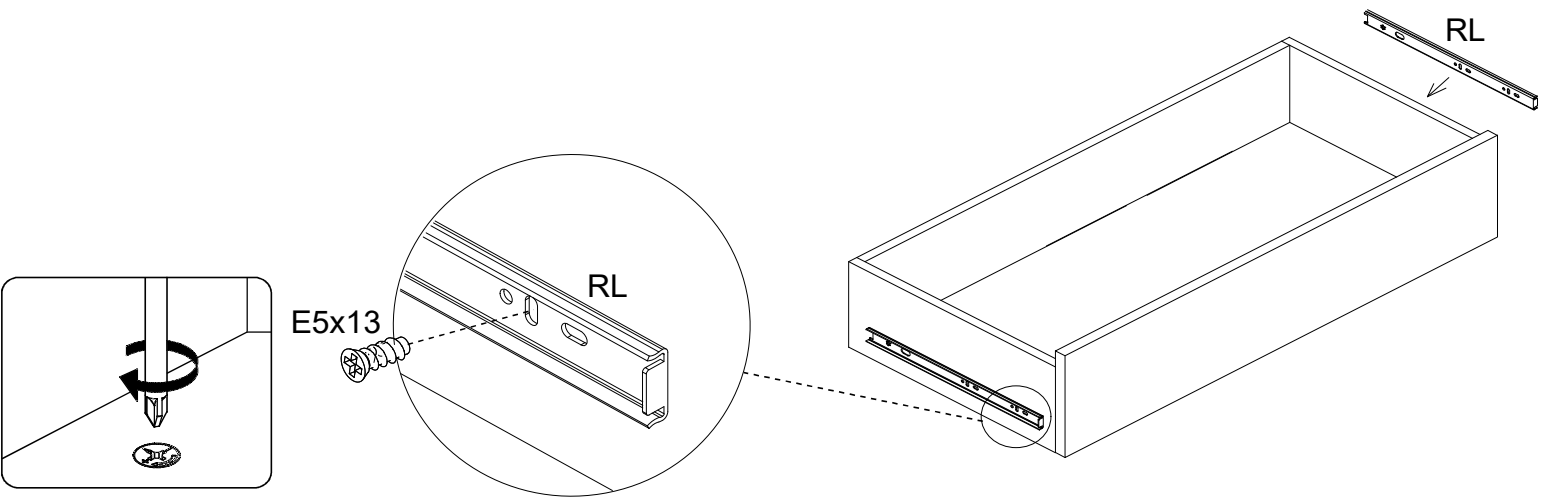
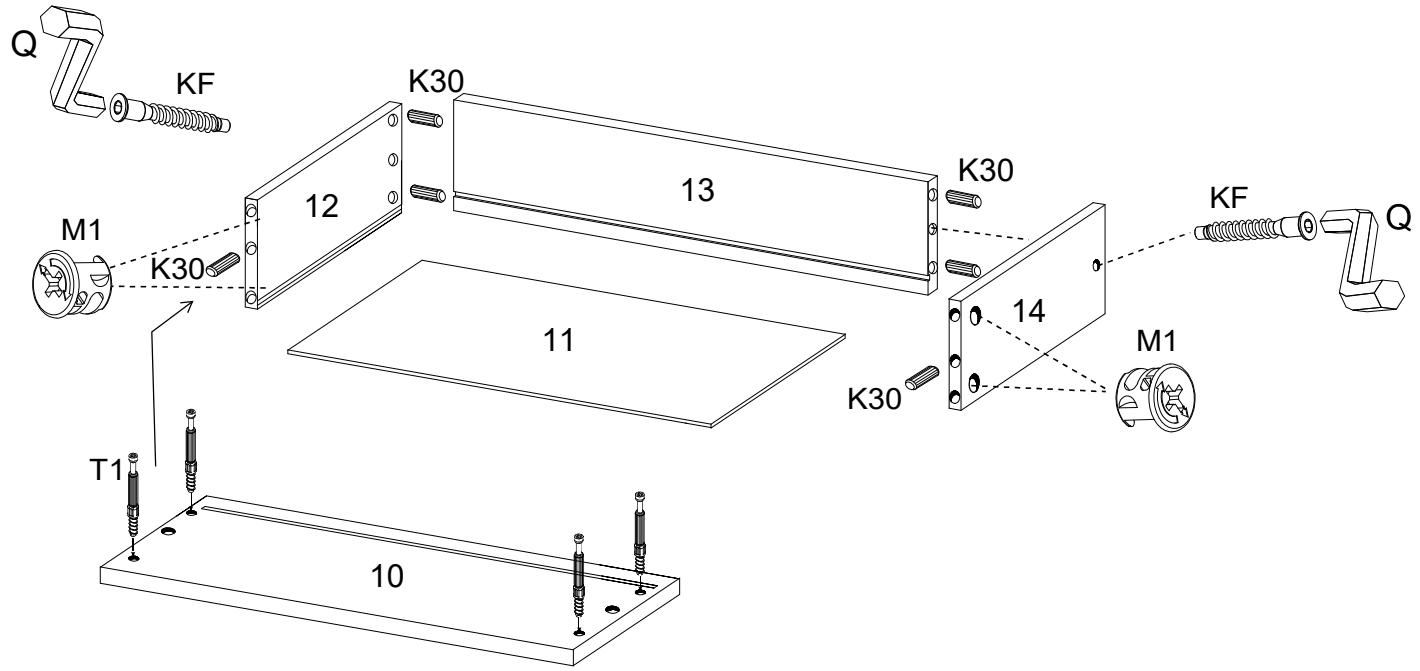
T1

2

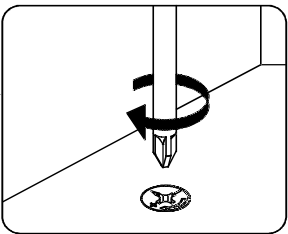
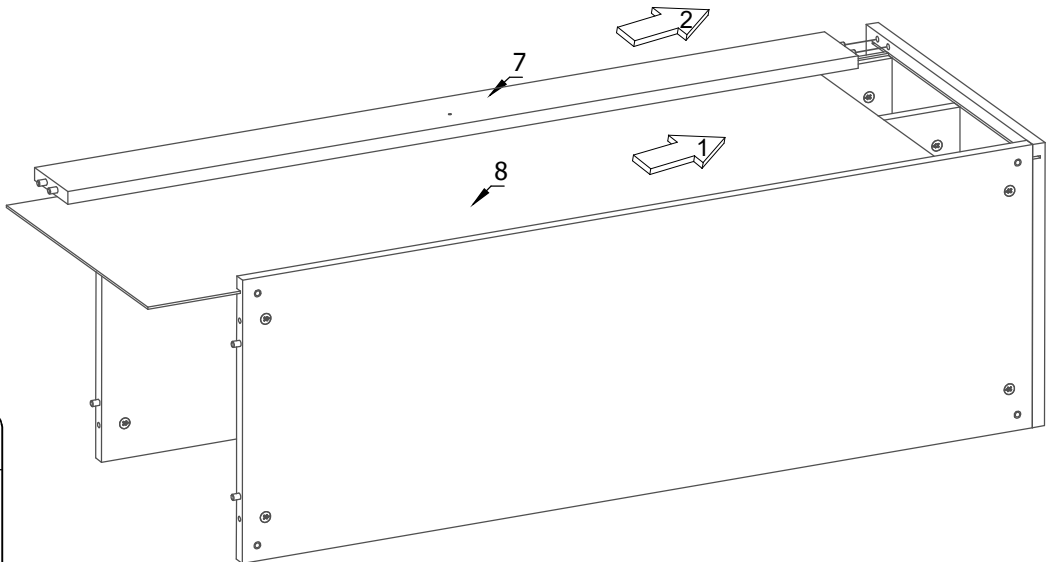
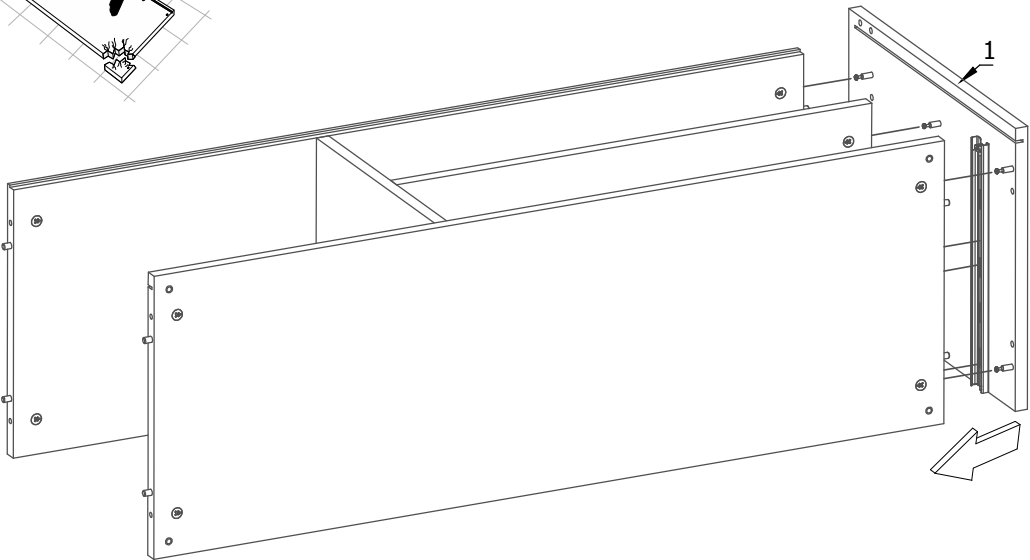
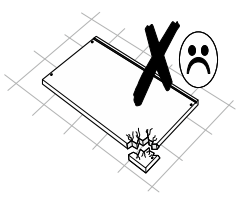
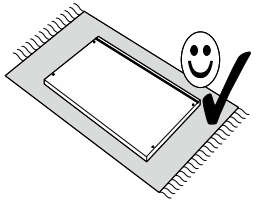
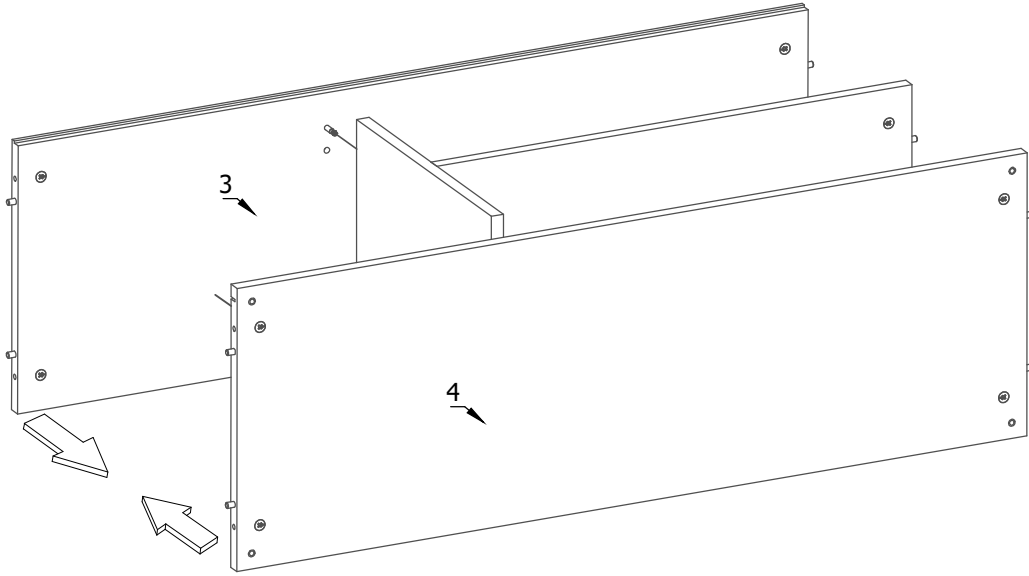
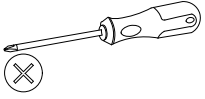


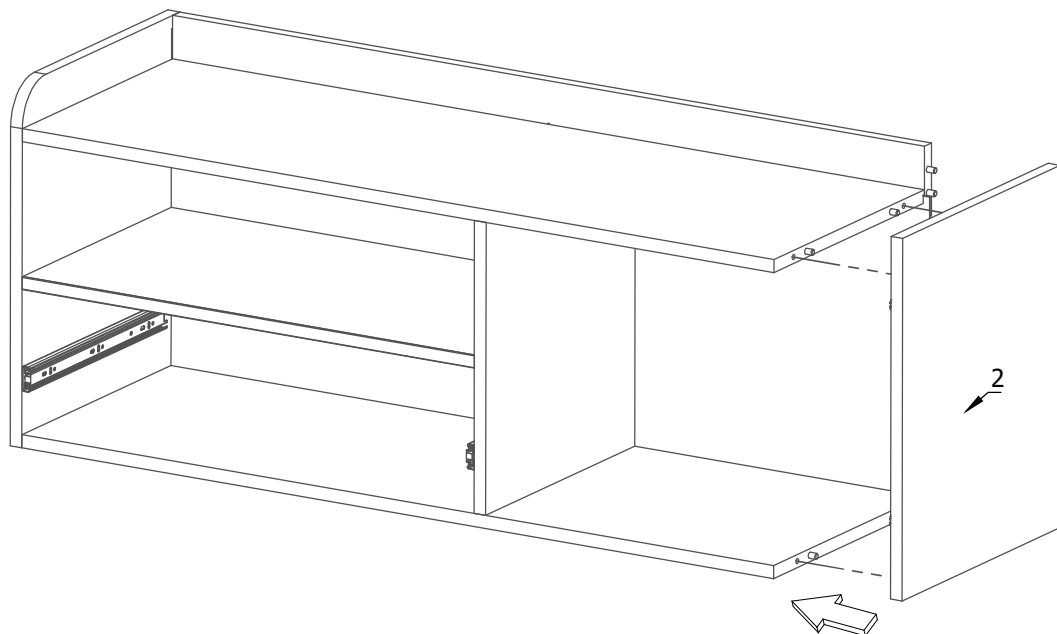
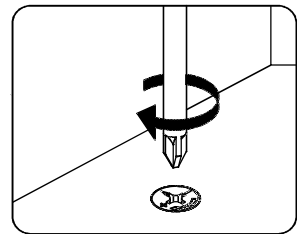
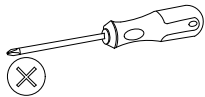
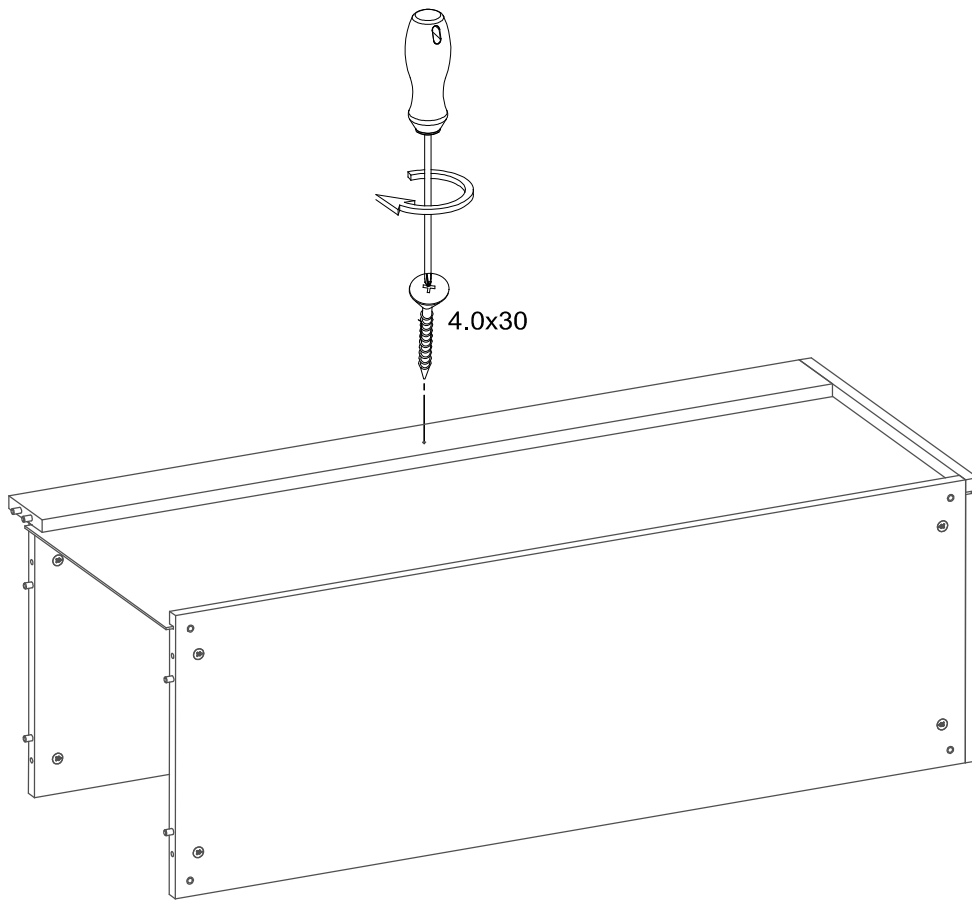
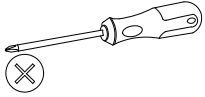
ZP	W4x16
	
2	4

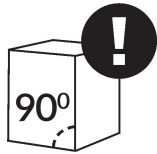
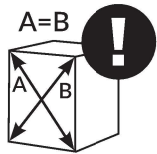


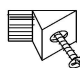

 M1	 K30	 T1	 E5x13	 KF	 Q	 RL
4	6	4	4	2	1	2

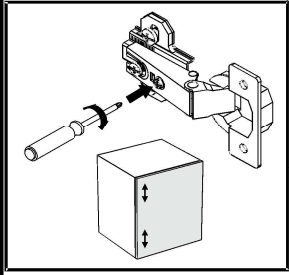
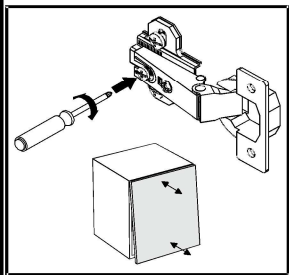
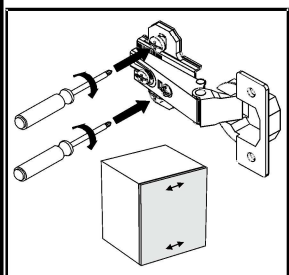
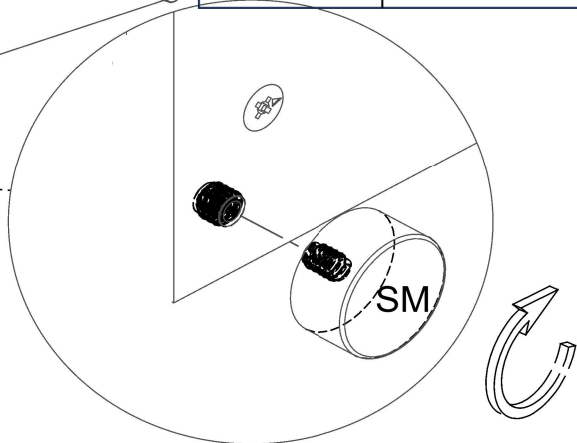
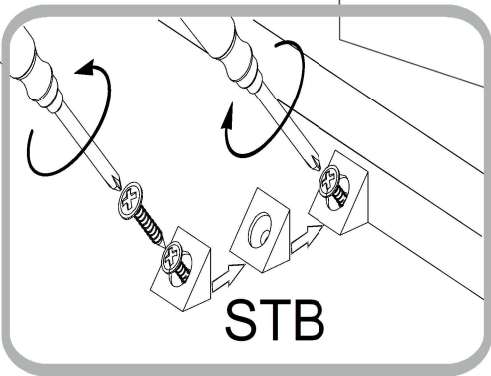
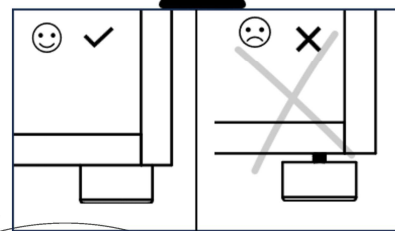
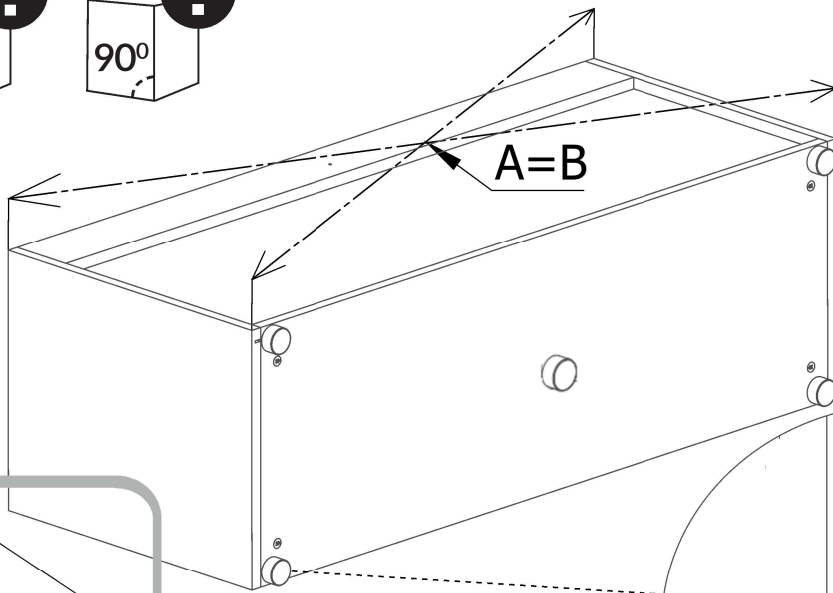











 STB 4	 SM 5
---	--



 M22 1	 X 20	 UM 1
--	---	---

