



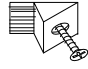









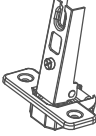


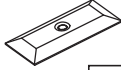
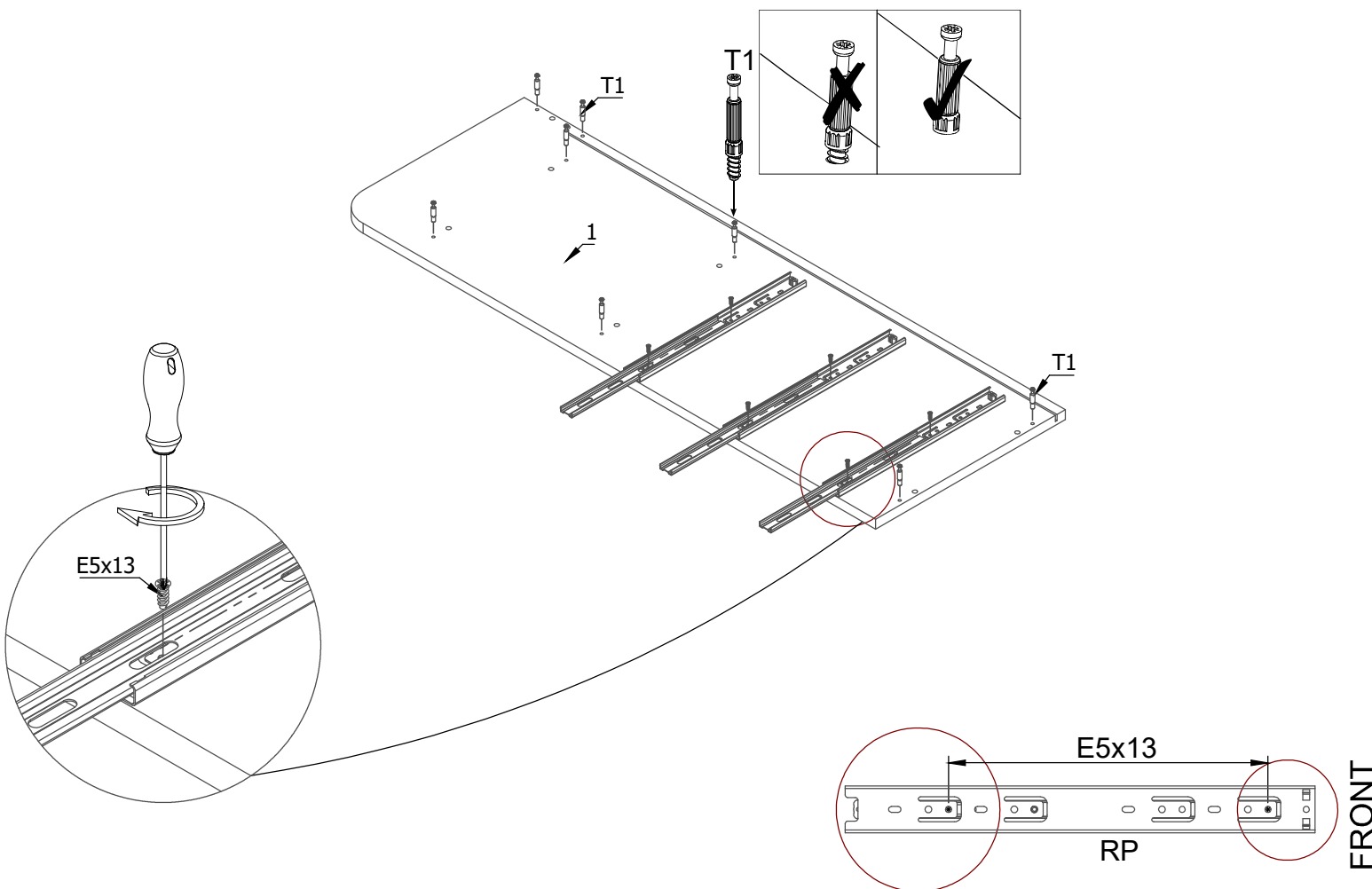
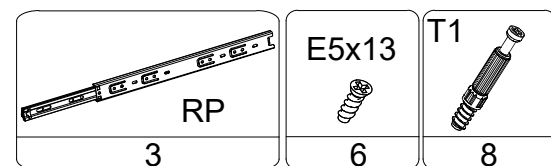
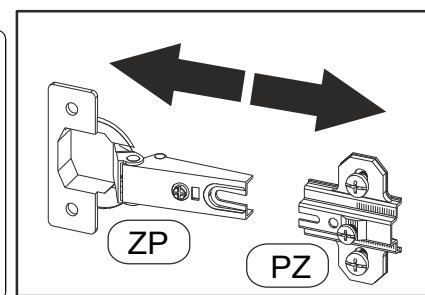
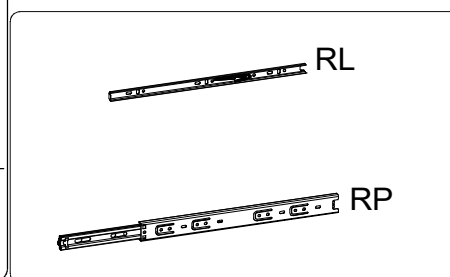
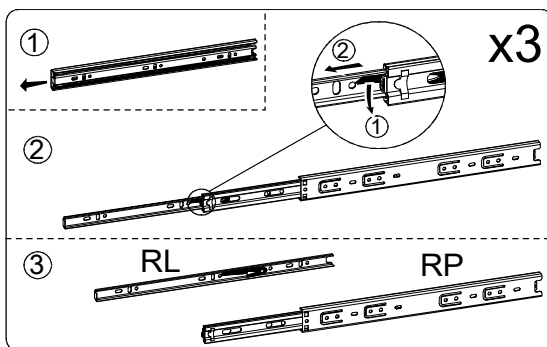


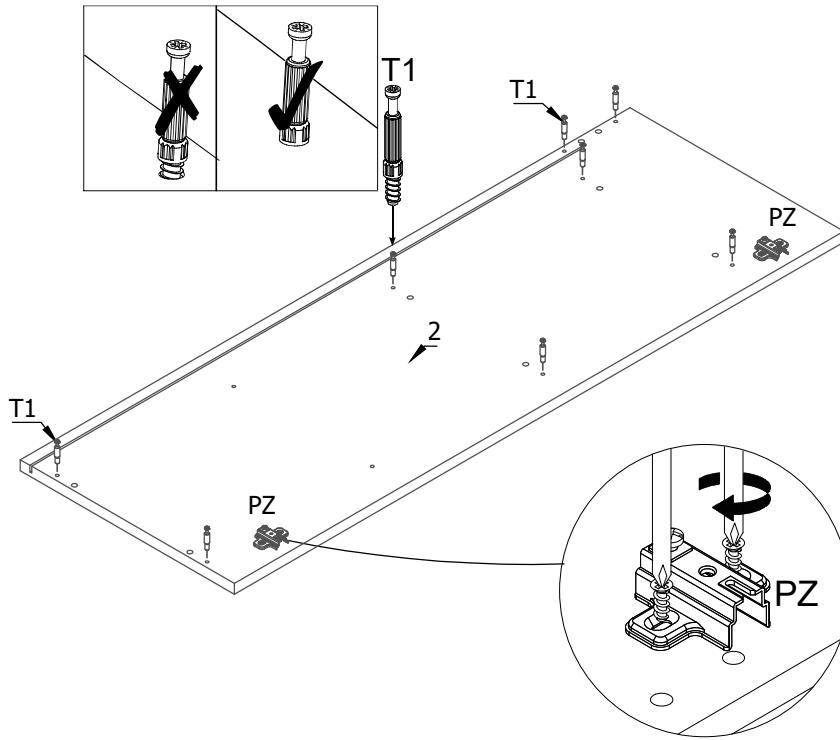
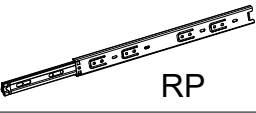





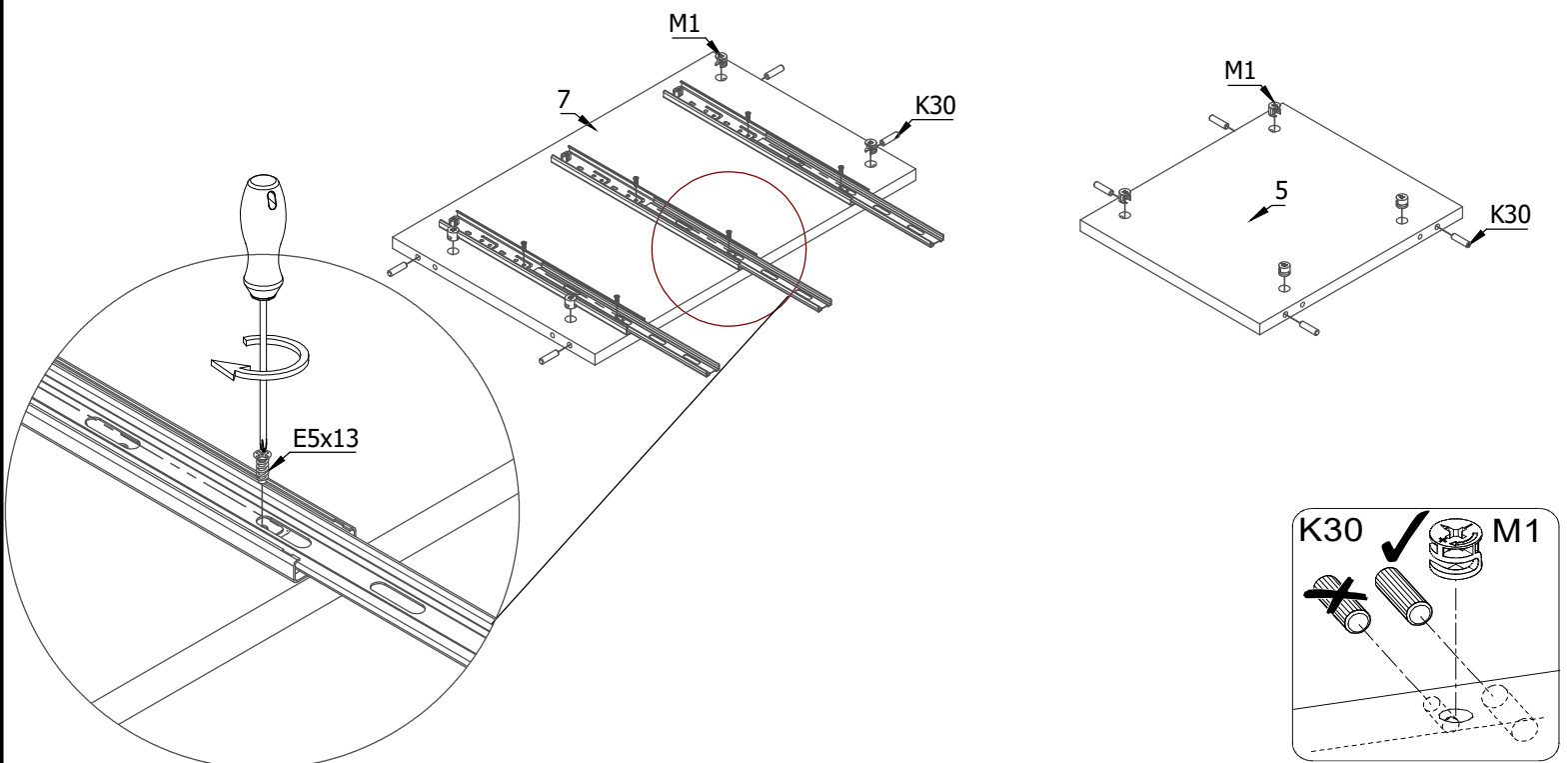
K30  42	T1  36	M1  36	X  36	STB  8	UM  3
KF  6	W4x16  4	MF  5	SM  5	E5x13  24	M22  3
Q  1	W3x13  4	ZP  2	PZ  2	PP  4	ZM  4



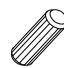



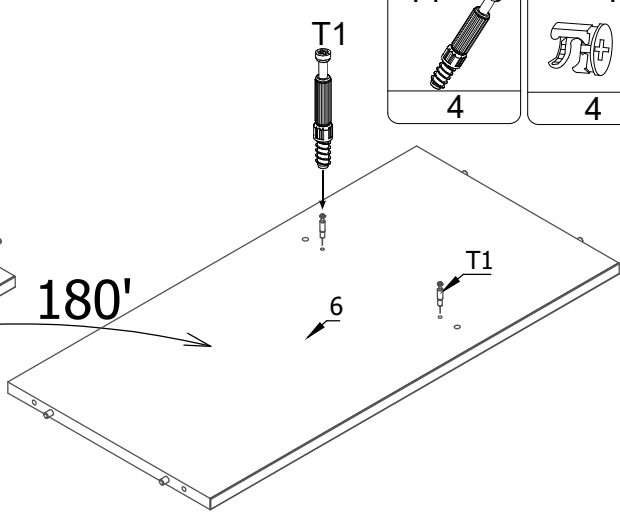
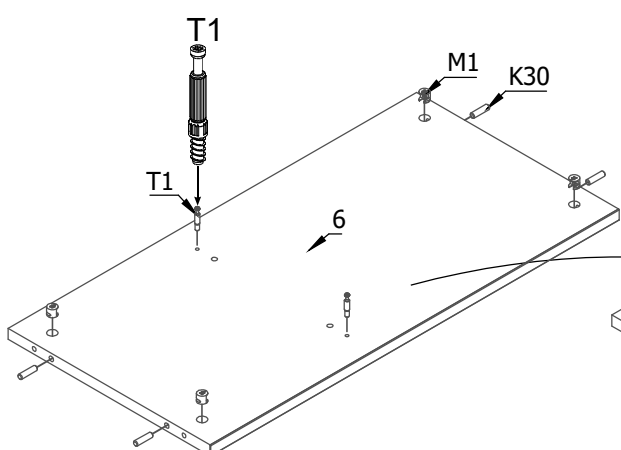
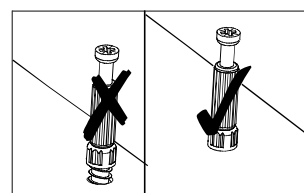
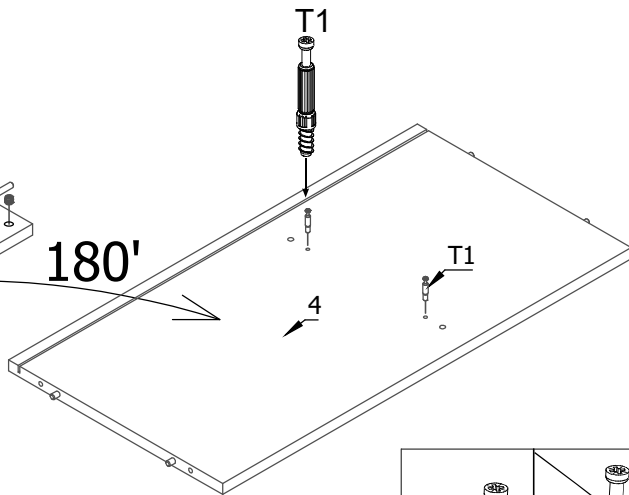
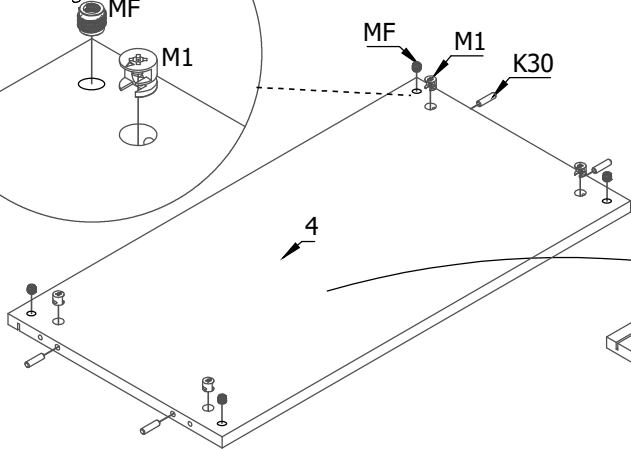
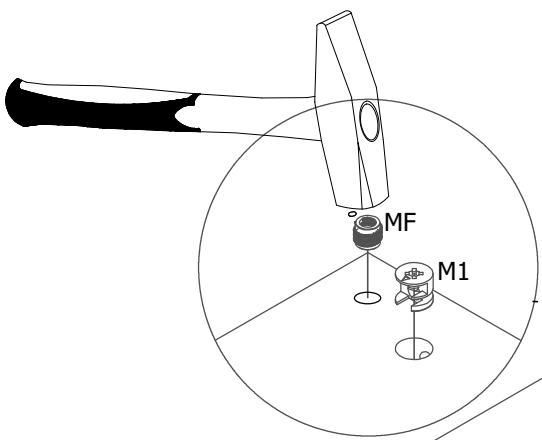
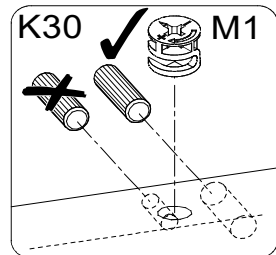
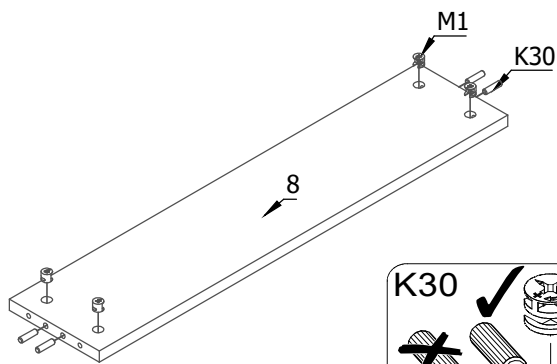
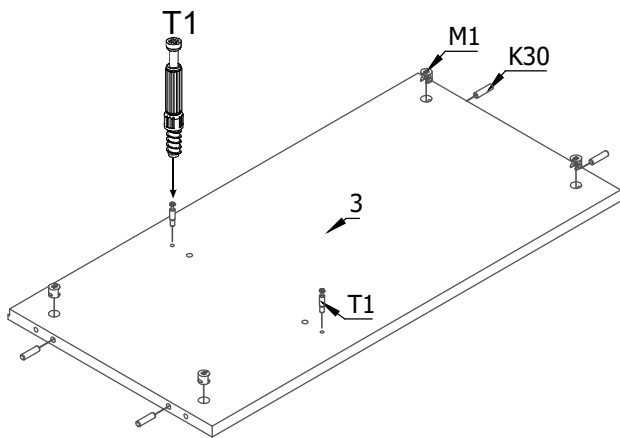
T1 	PZ 
8	2






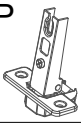

 RP	E5x13 	M1 	K30 
3	6	8	8

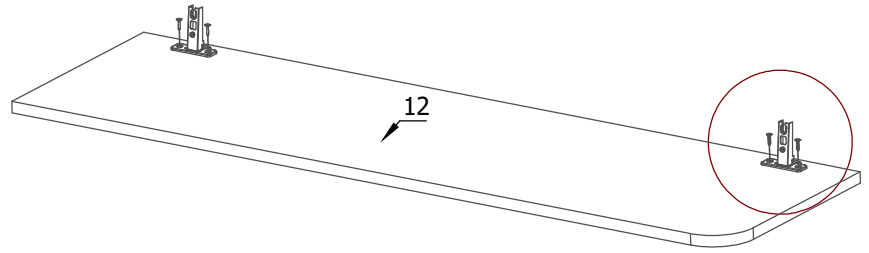
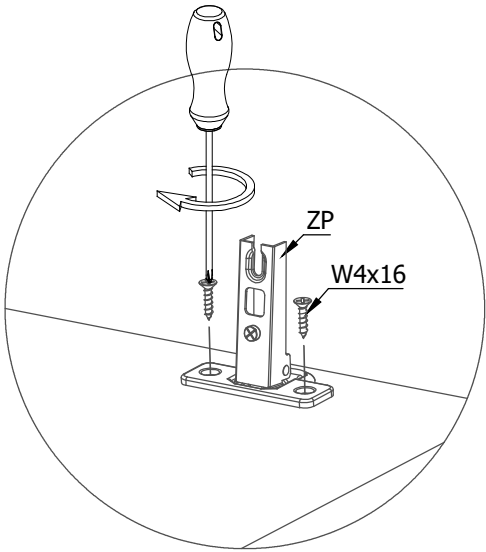









T1	M1	K30	MF
			
4	12	12	4

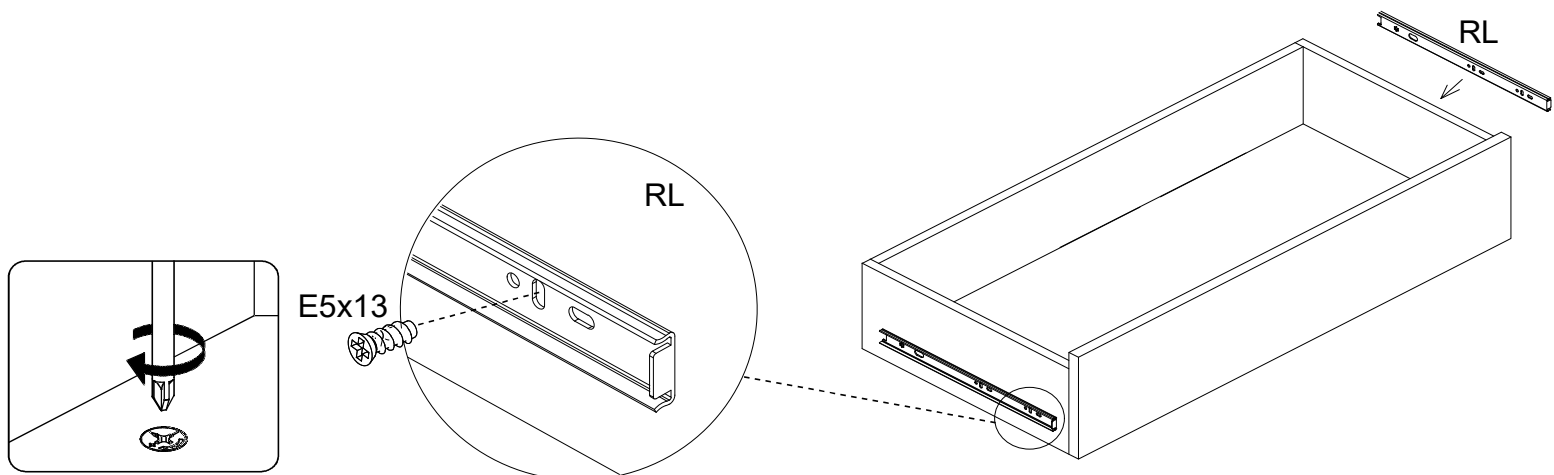
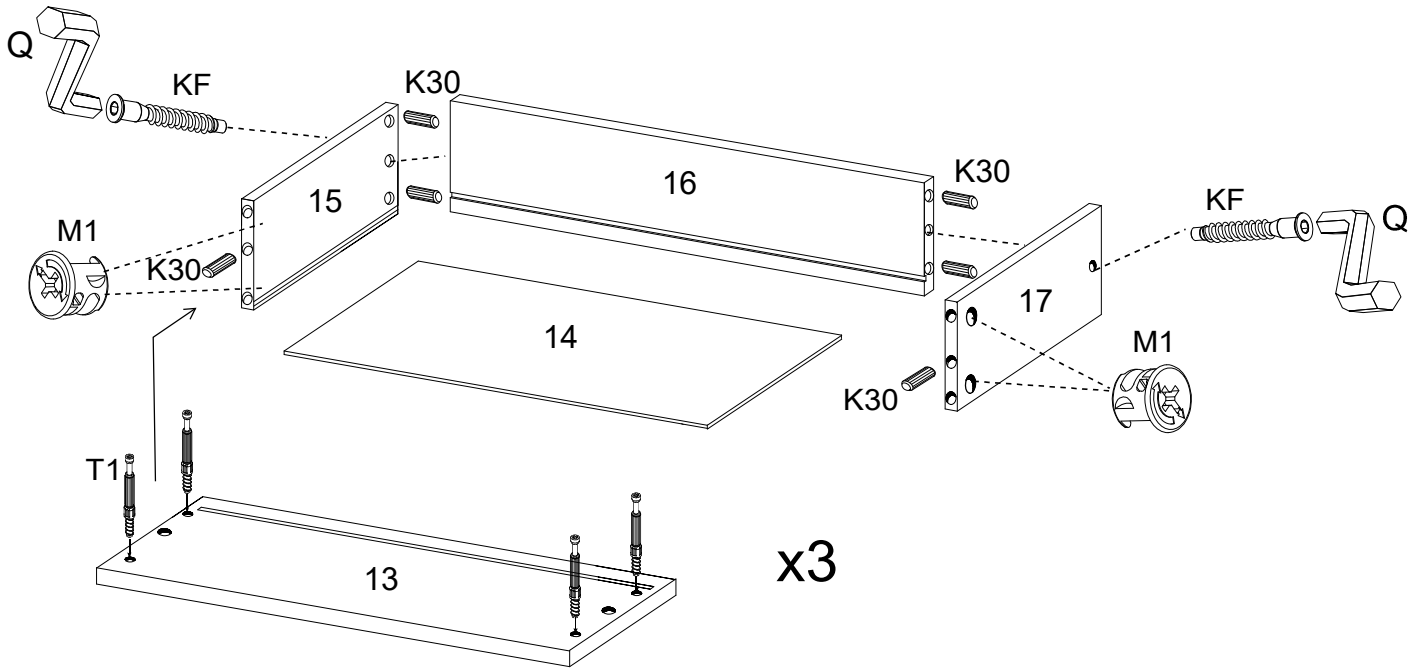


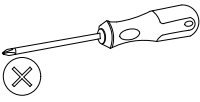
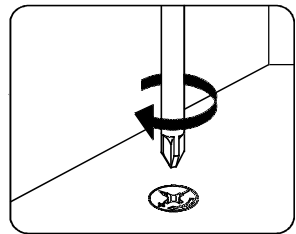
T1	M1	K30
		
4	4	4

ZP 	W4x16 
2	4

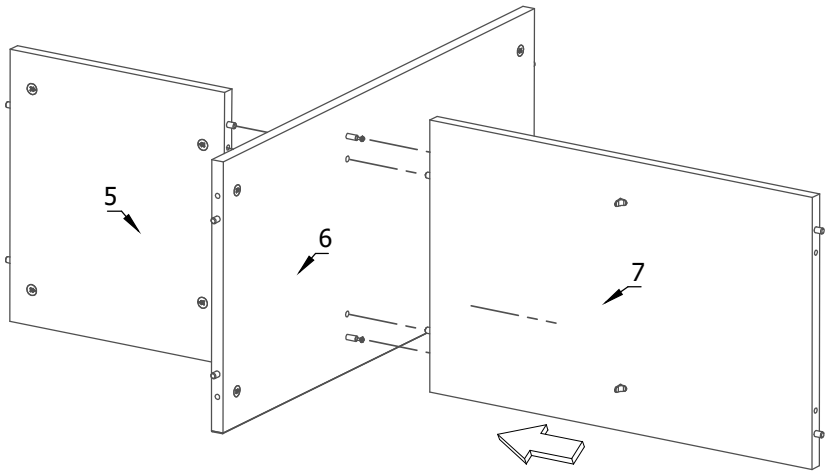


M1 	K30 	T1 	E5x13 	KF 	Q 	RL 
12	18	12	12	6	1	6

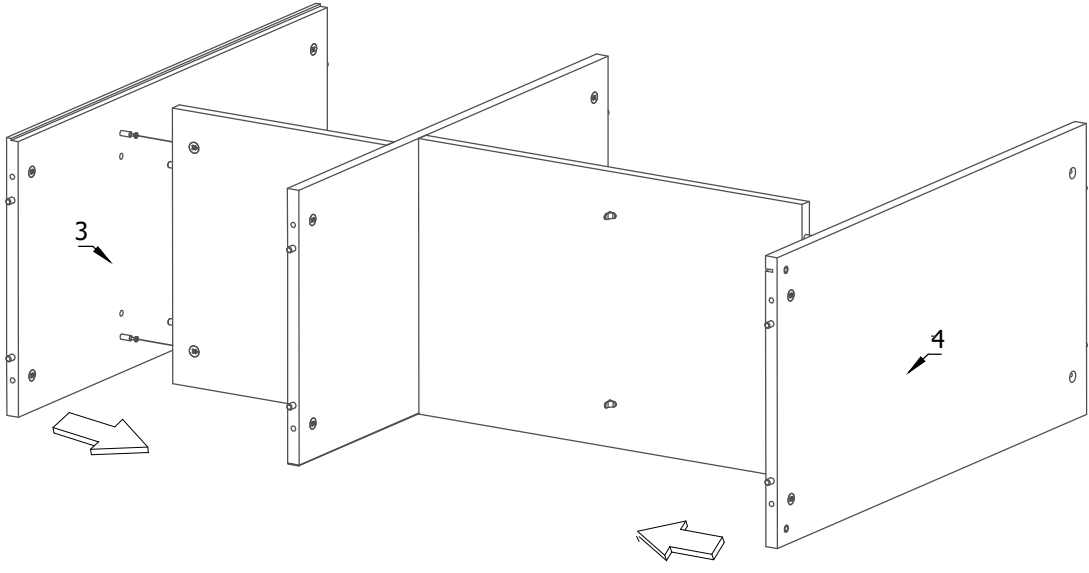




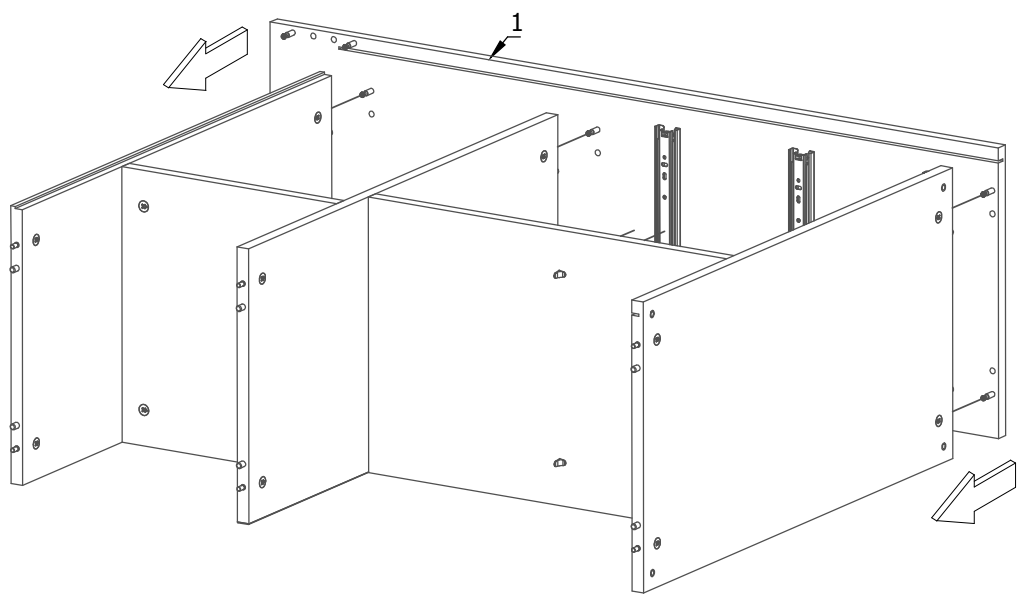
1

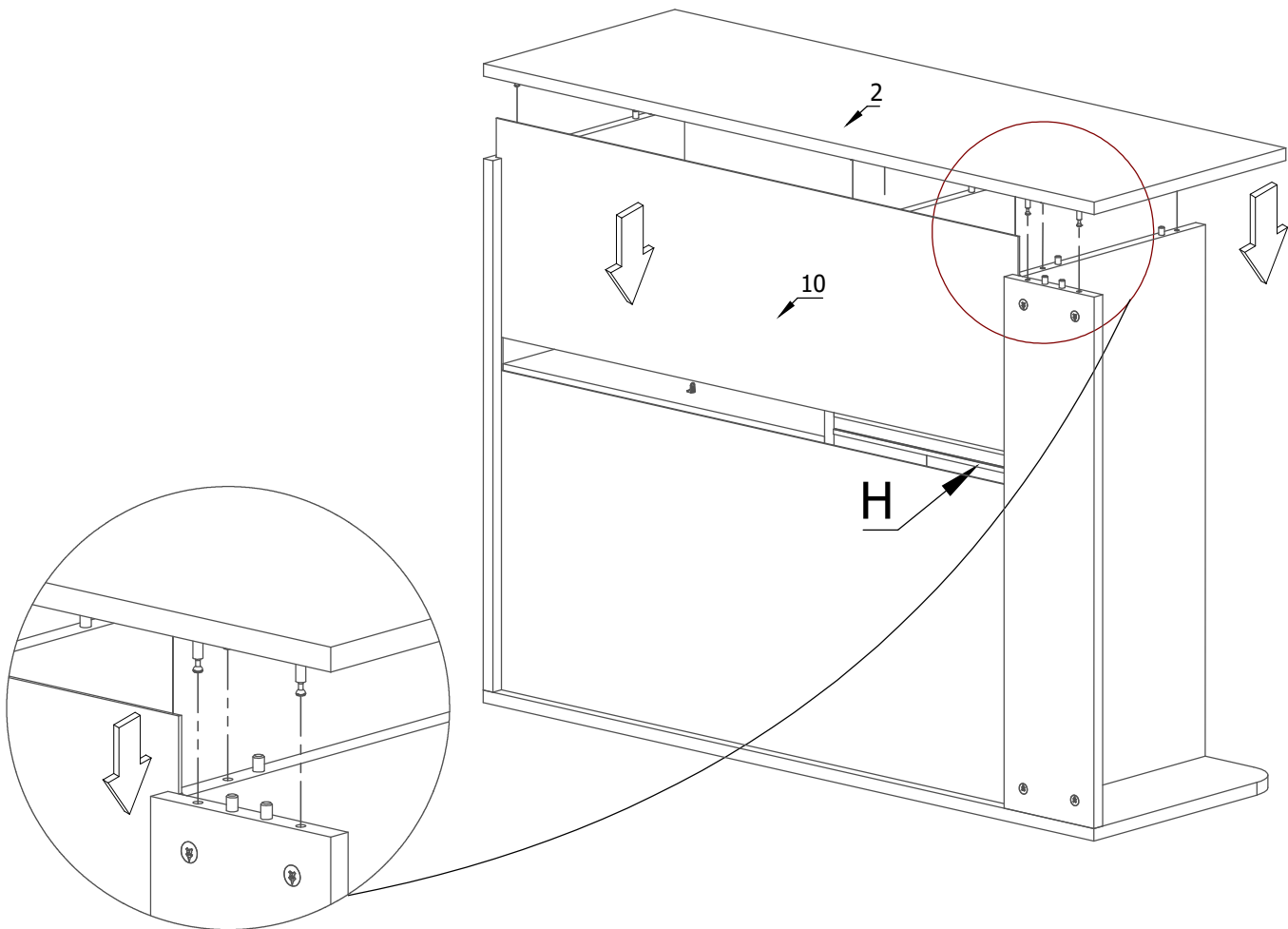
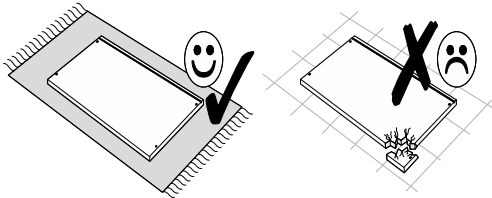
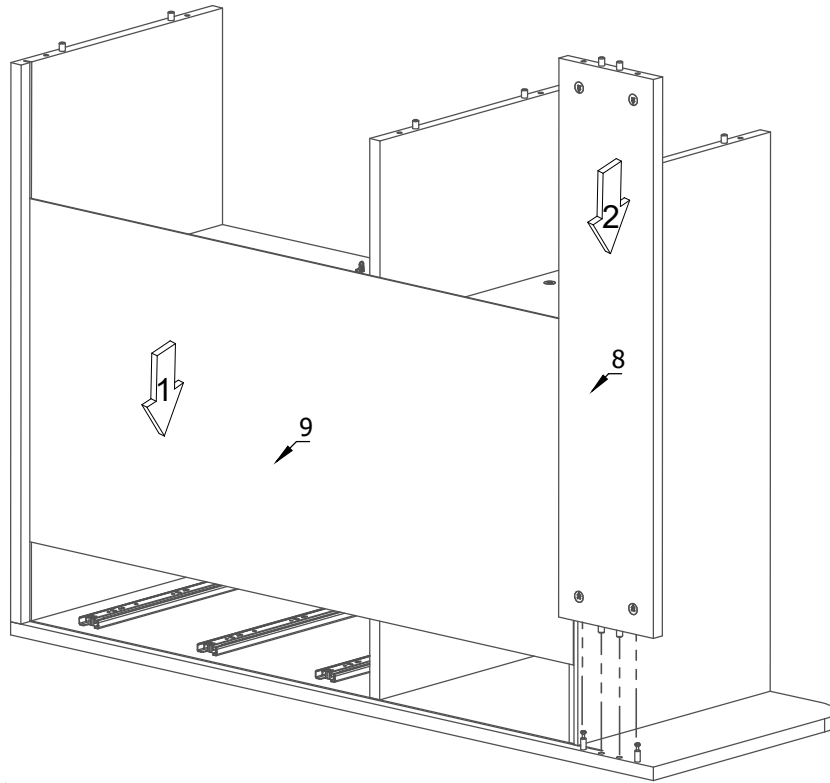
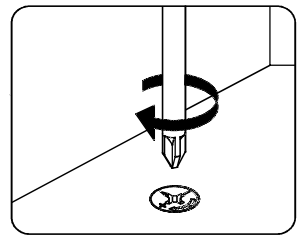
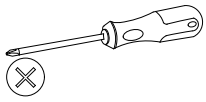


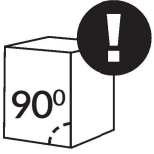
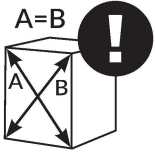
2



3





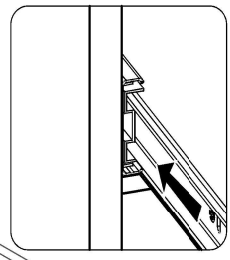
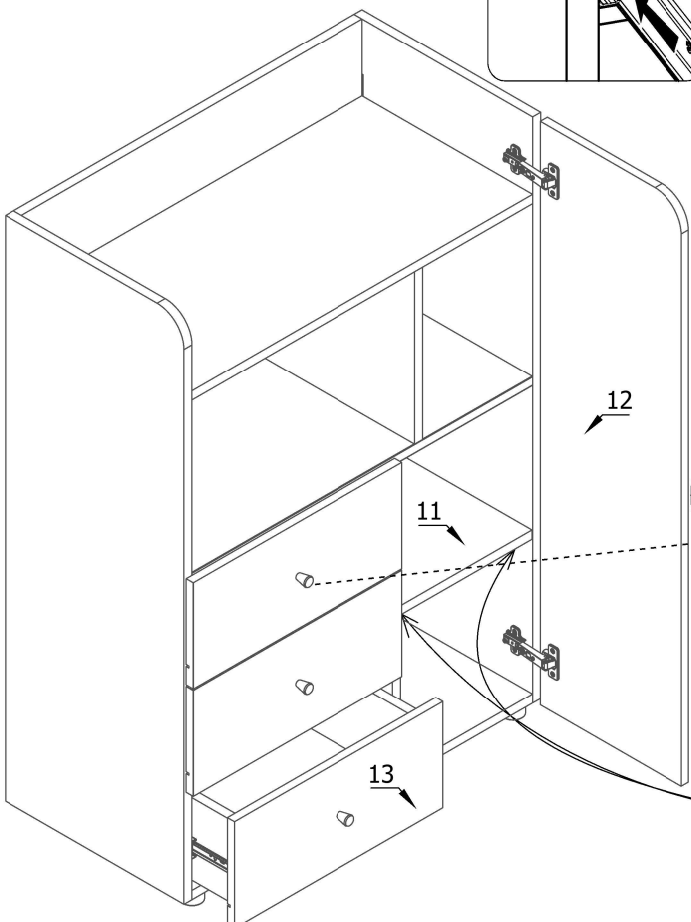
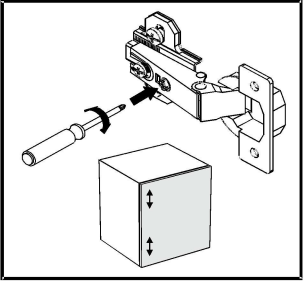
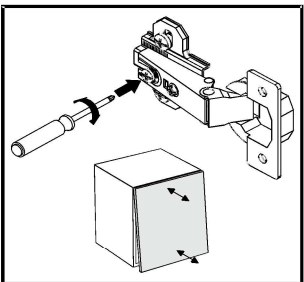
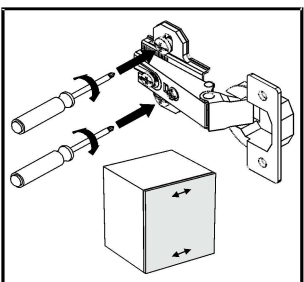
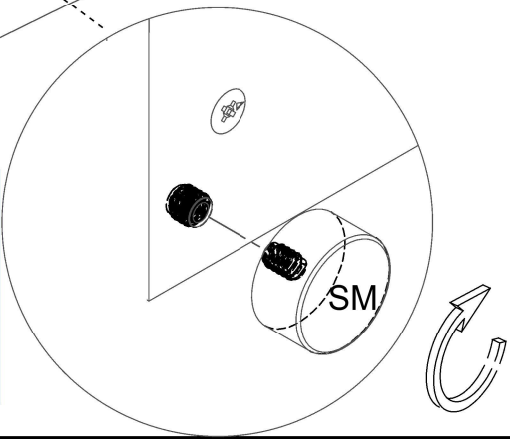
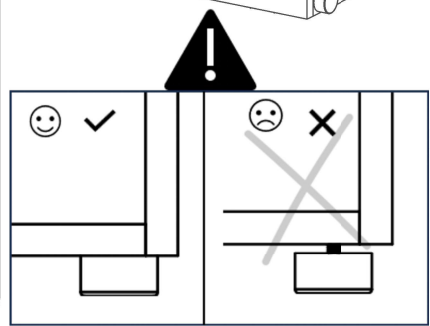
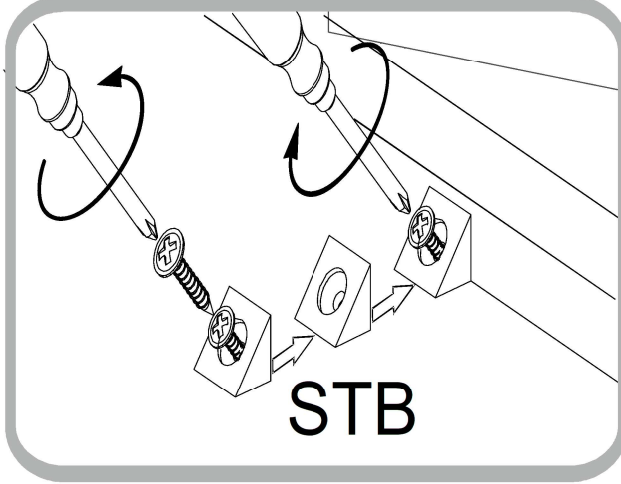
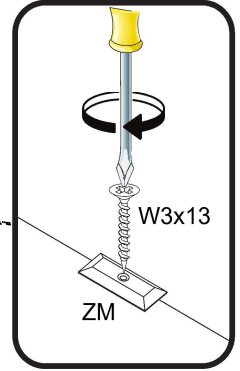
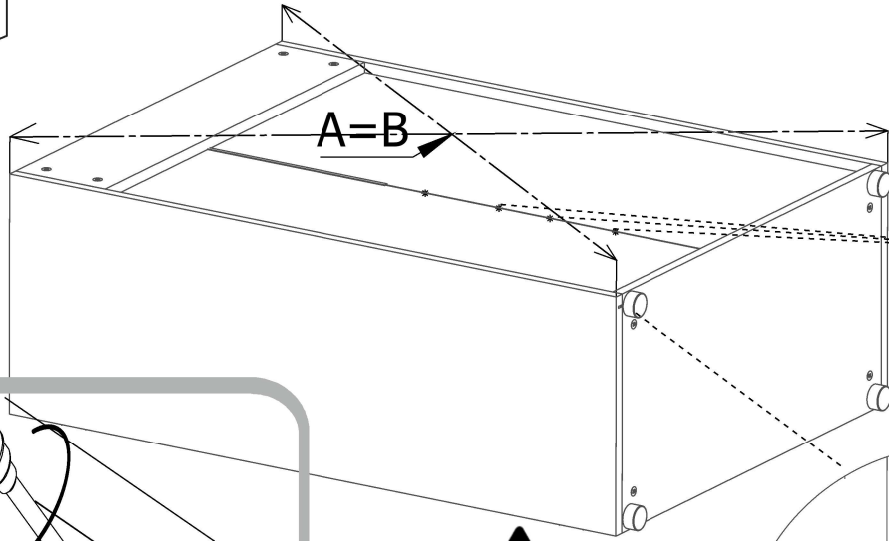


	STB	8
--	-----	---

	SM	4
--	----	---

	W3x13	4
--	-------	---

	ZM	4
--	----	---



	PP	4
--	----	---

	M22	3
--	-----	---

	X	36
--	---	----

	UM	3
--	----	---

