



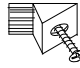












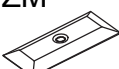
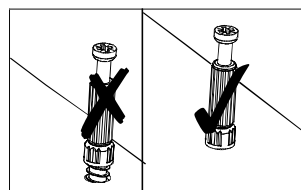
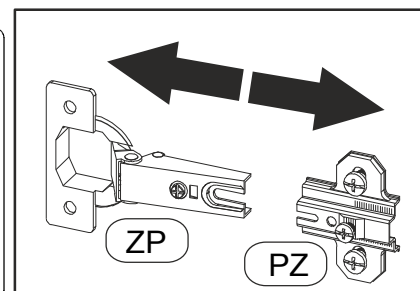
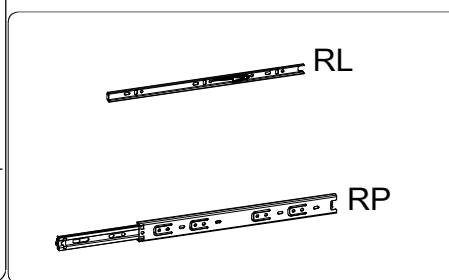
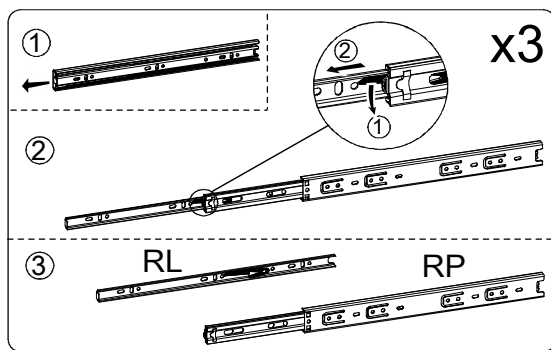
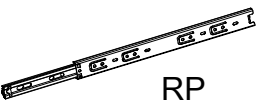



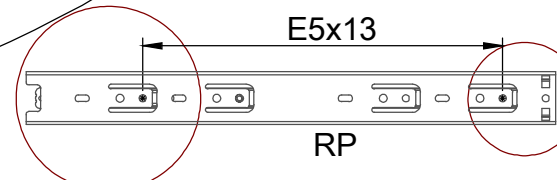
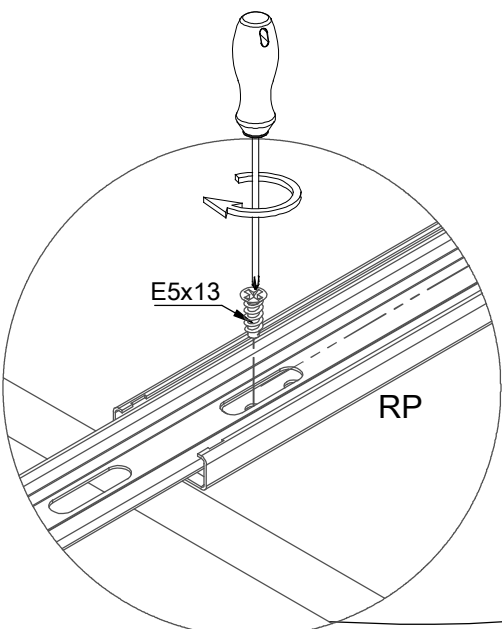
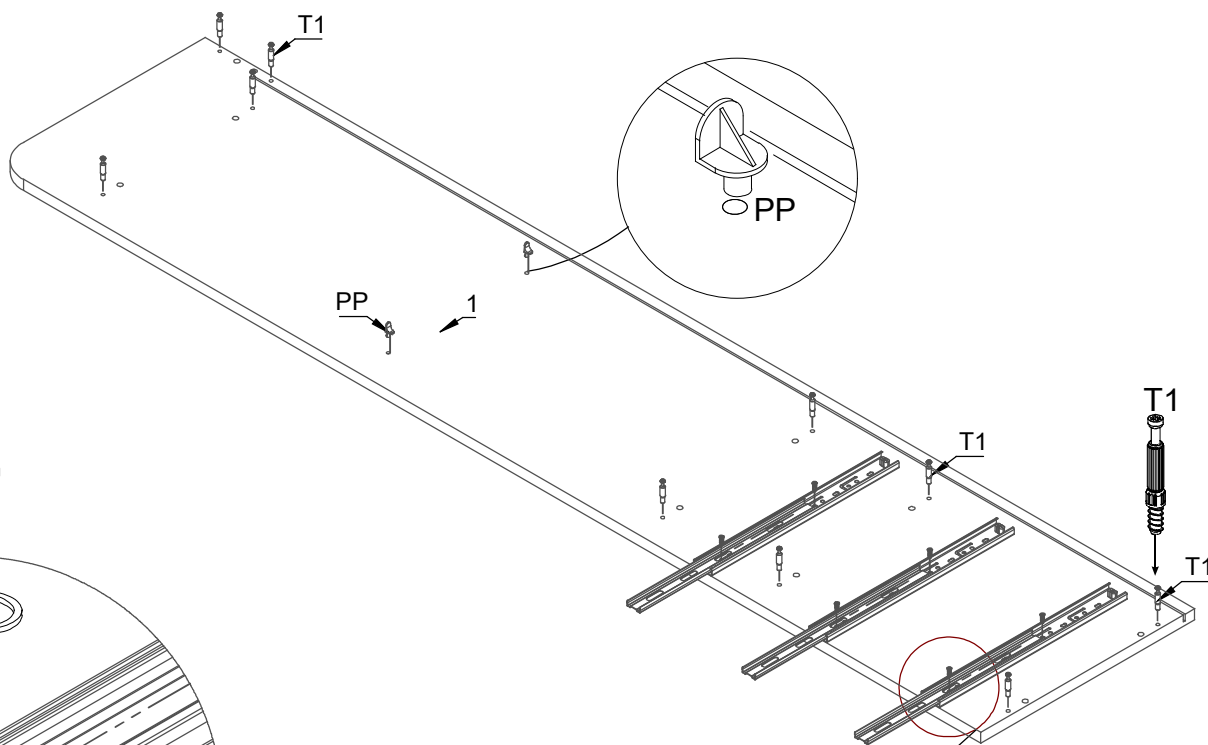


K30  46	T1  40	M1  40	X  40	STB  8	UM  3
KF  6	W4x16  4	MF  4	SM  4	E5x13  24	M22  3
Q  1	W3x16  4	ZP  2	PZ  2	PP  8	ZM  4

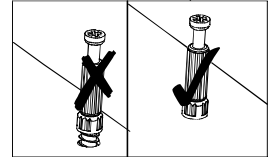
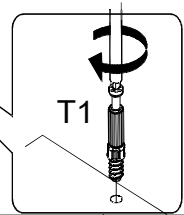
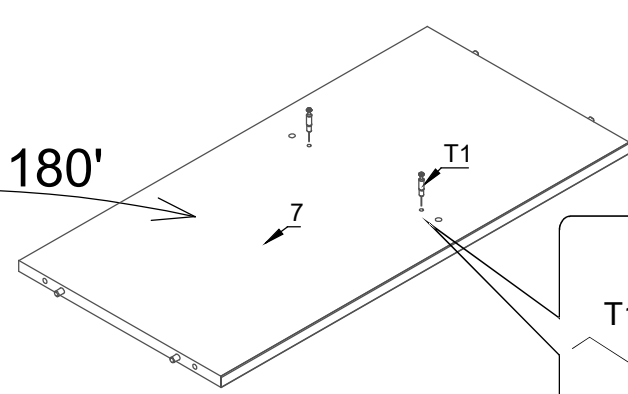
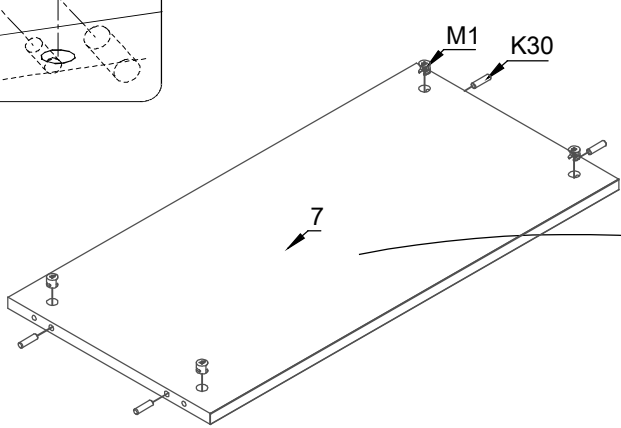
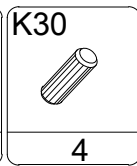
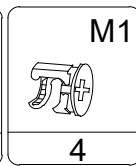
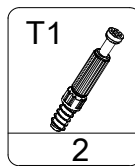
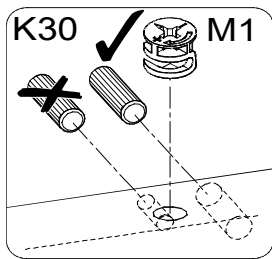
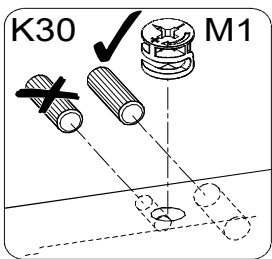
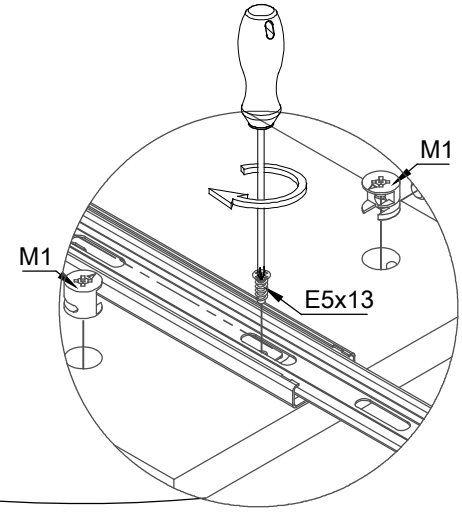
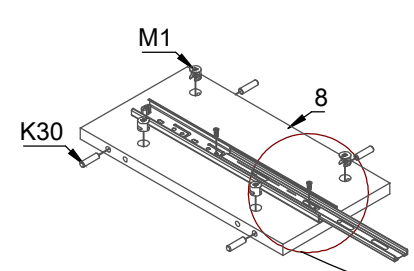
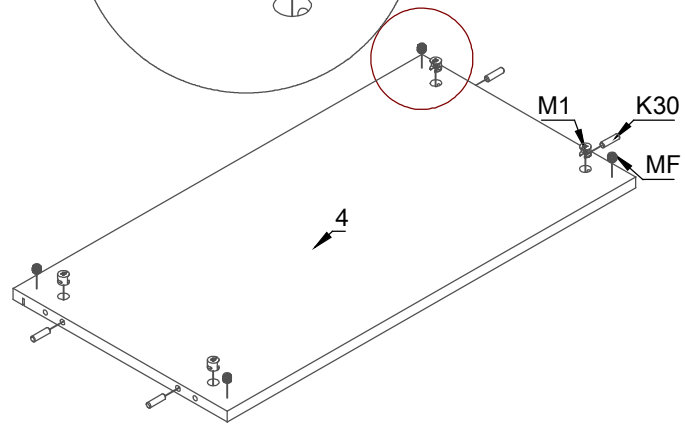
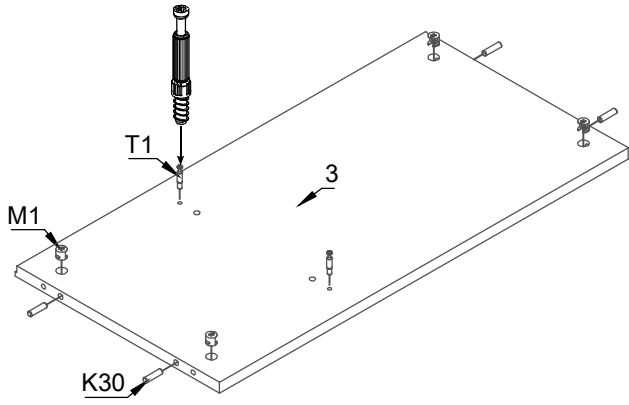
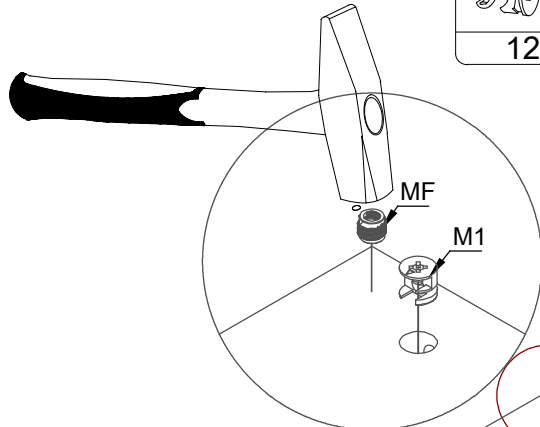
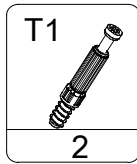
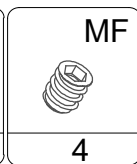
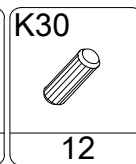
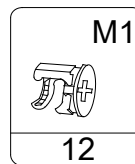
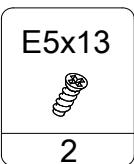
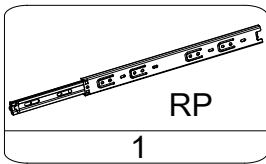





 RP 3	PP  2	T1  10	E5x13  6
--	---	--	--

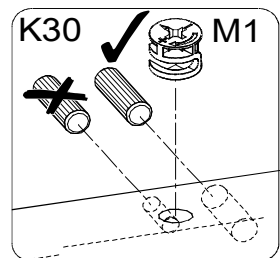
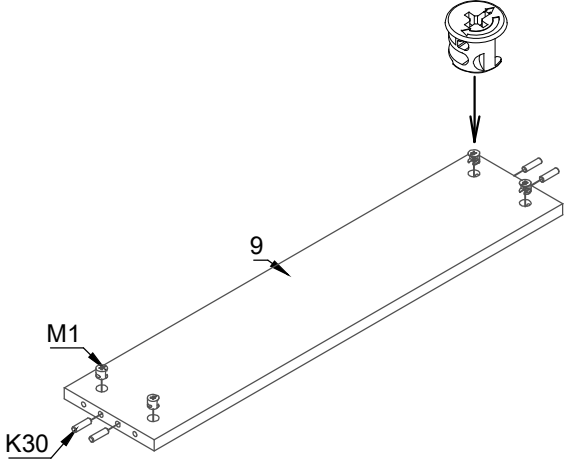
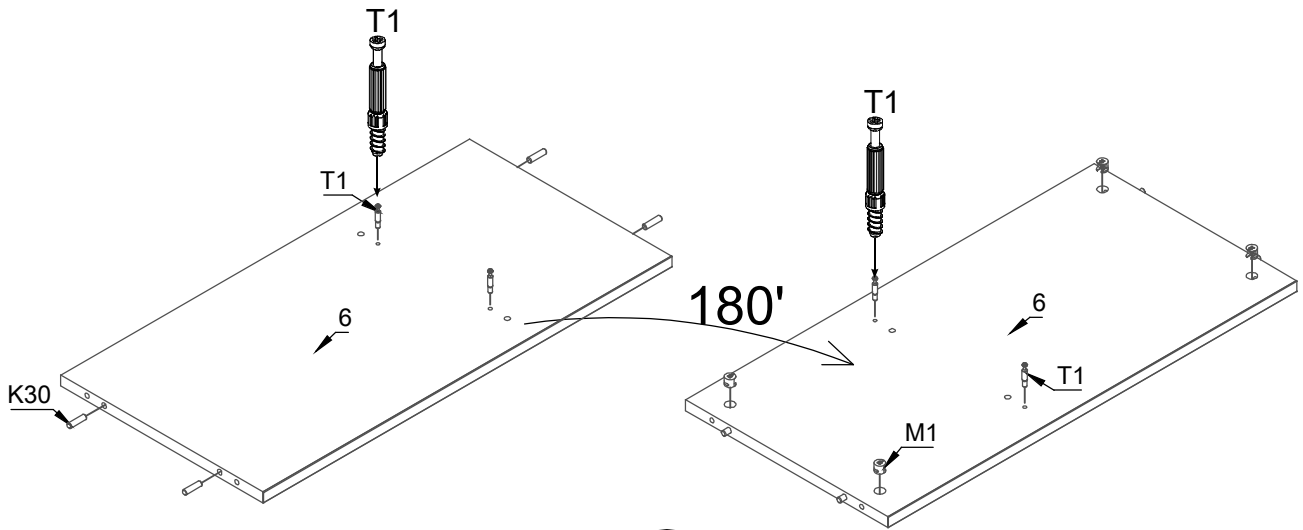




FRONT

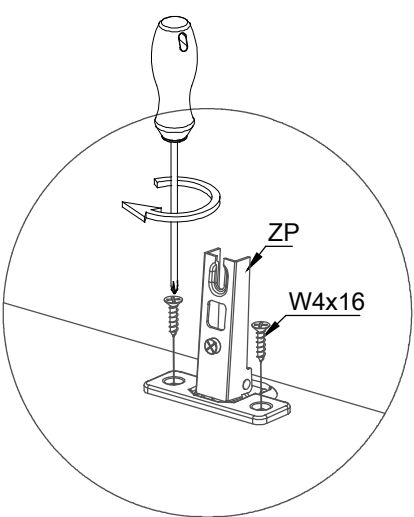
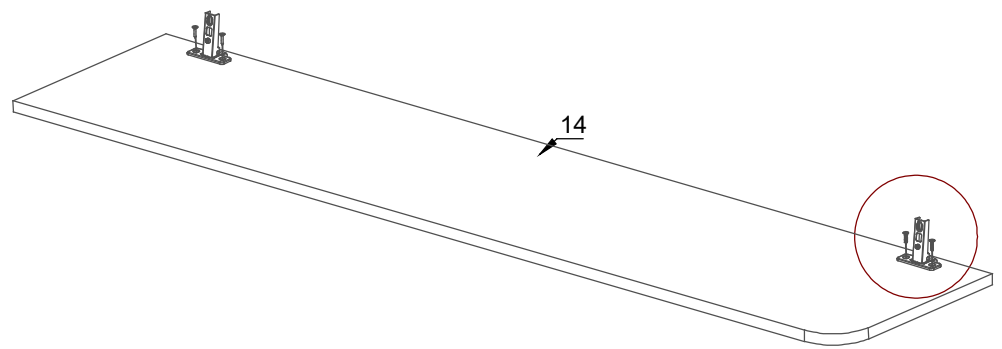






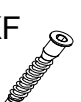




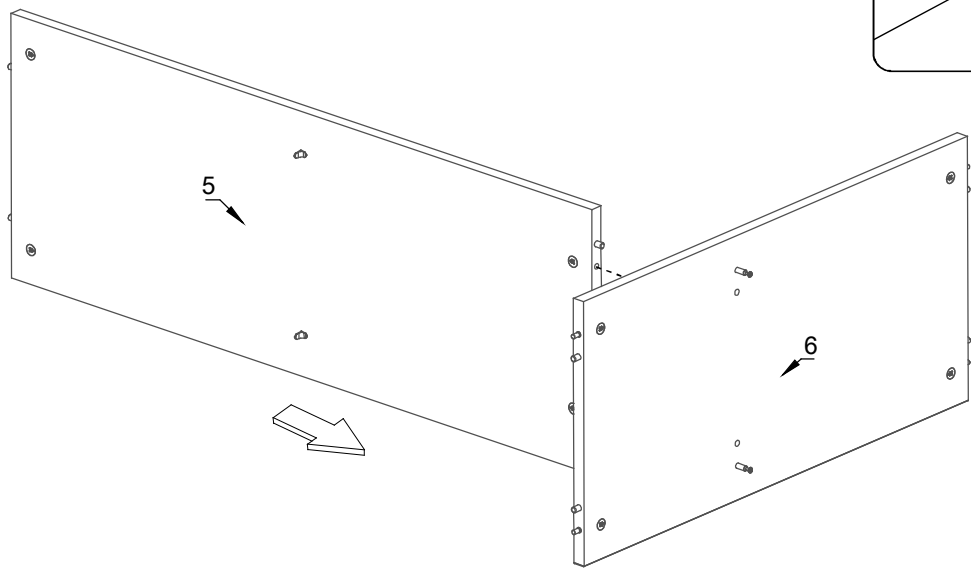
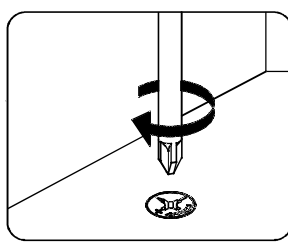
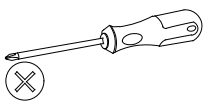
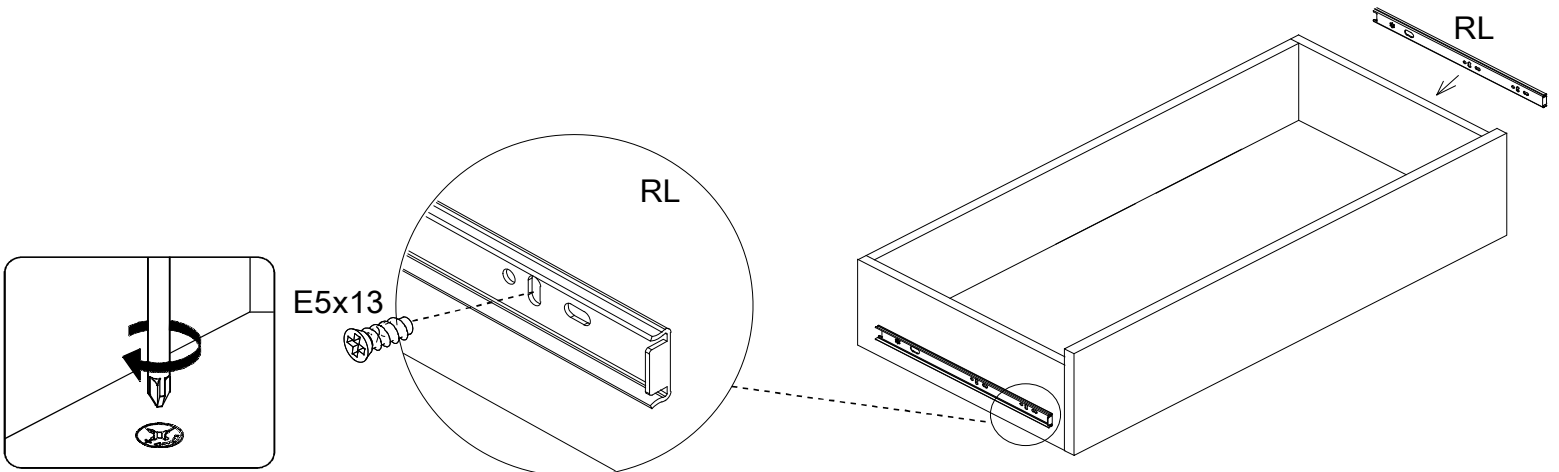
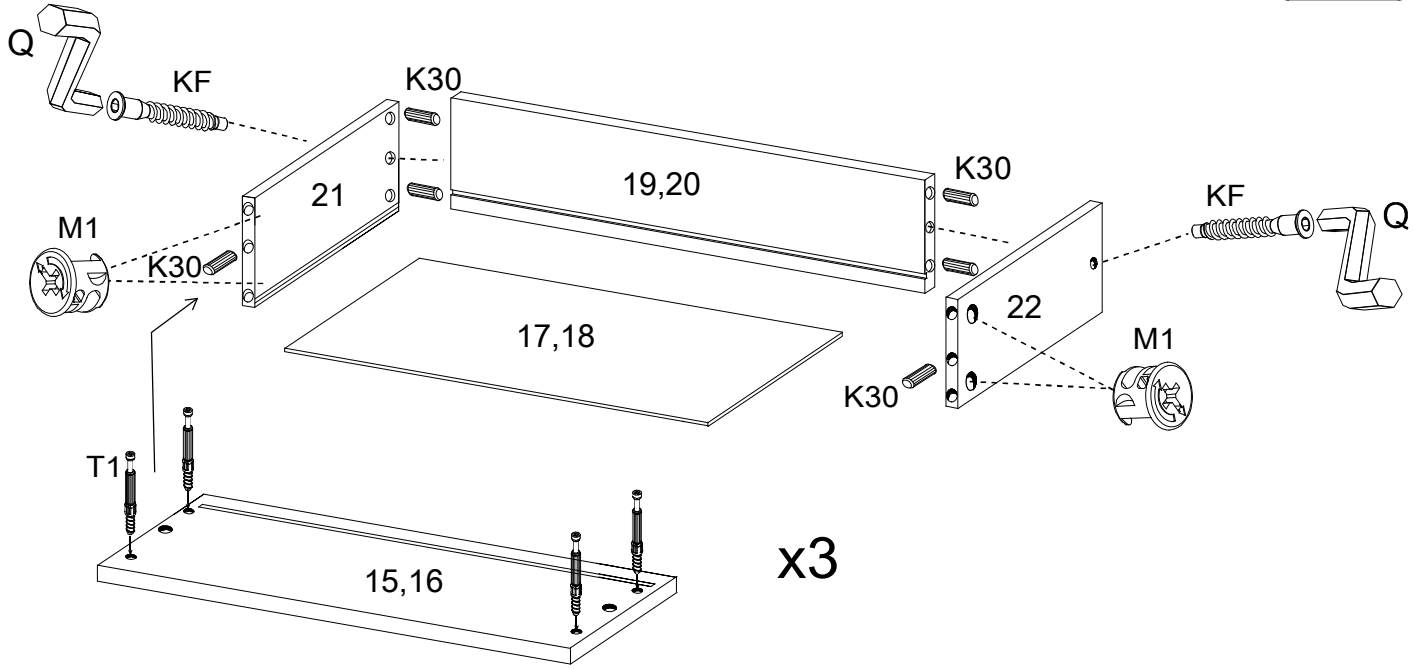
T1  4	M1  8	K30  8
---	---	--

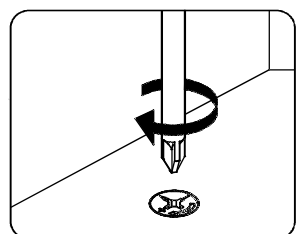
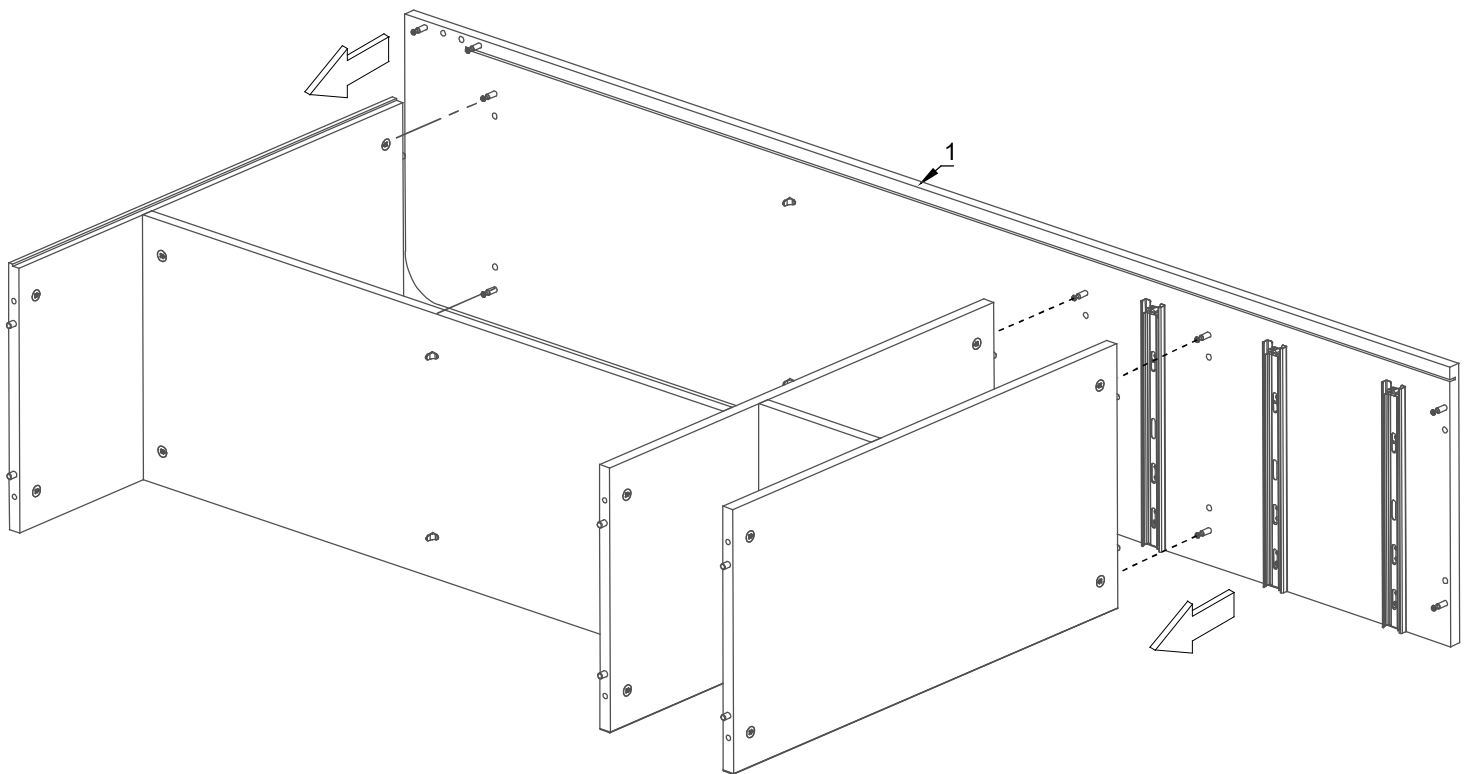
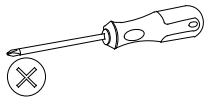
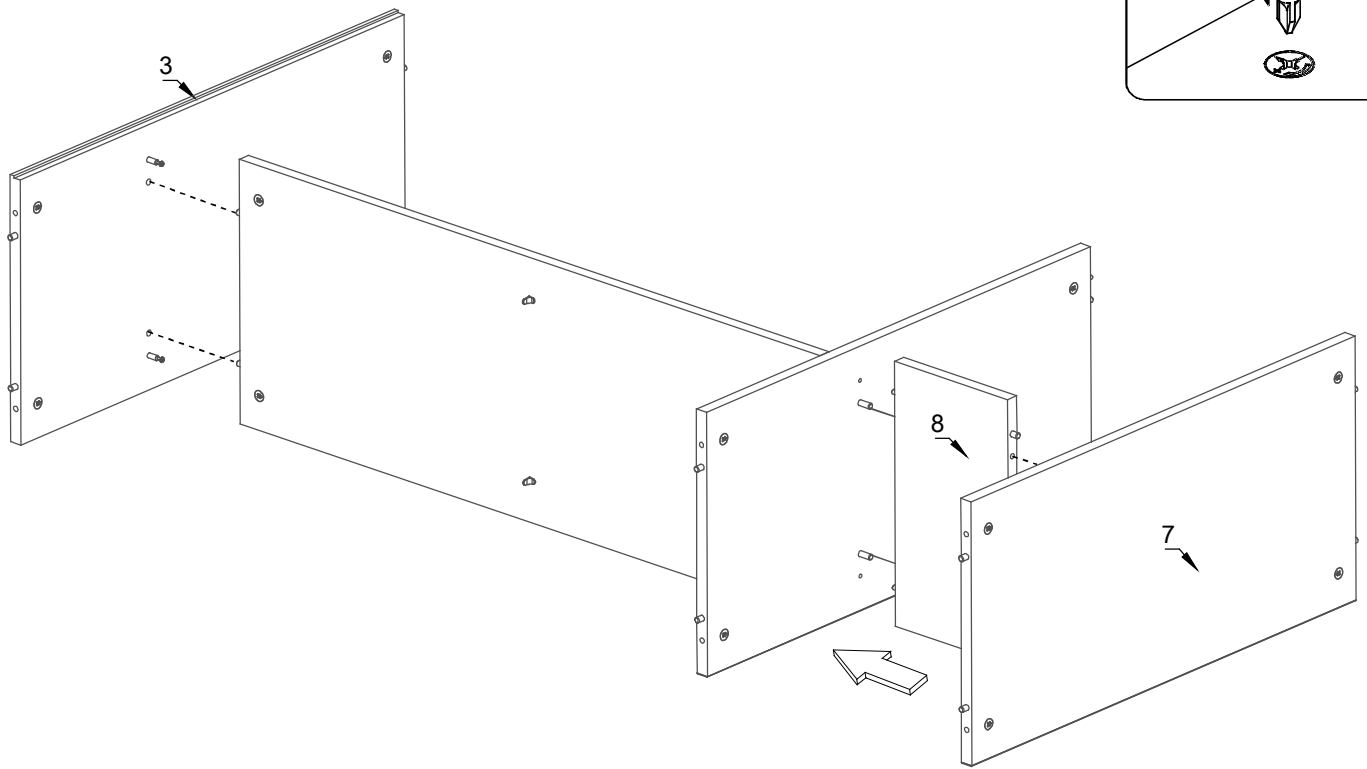
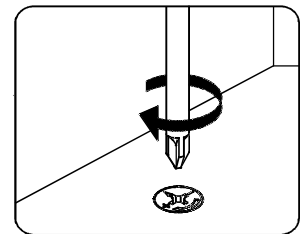
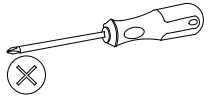


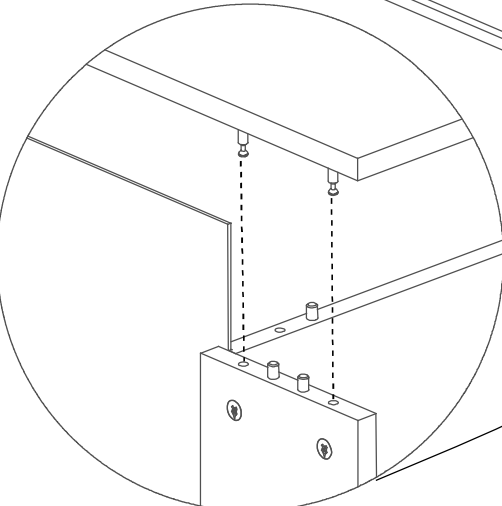
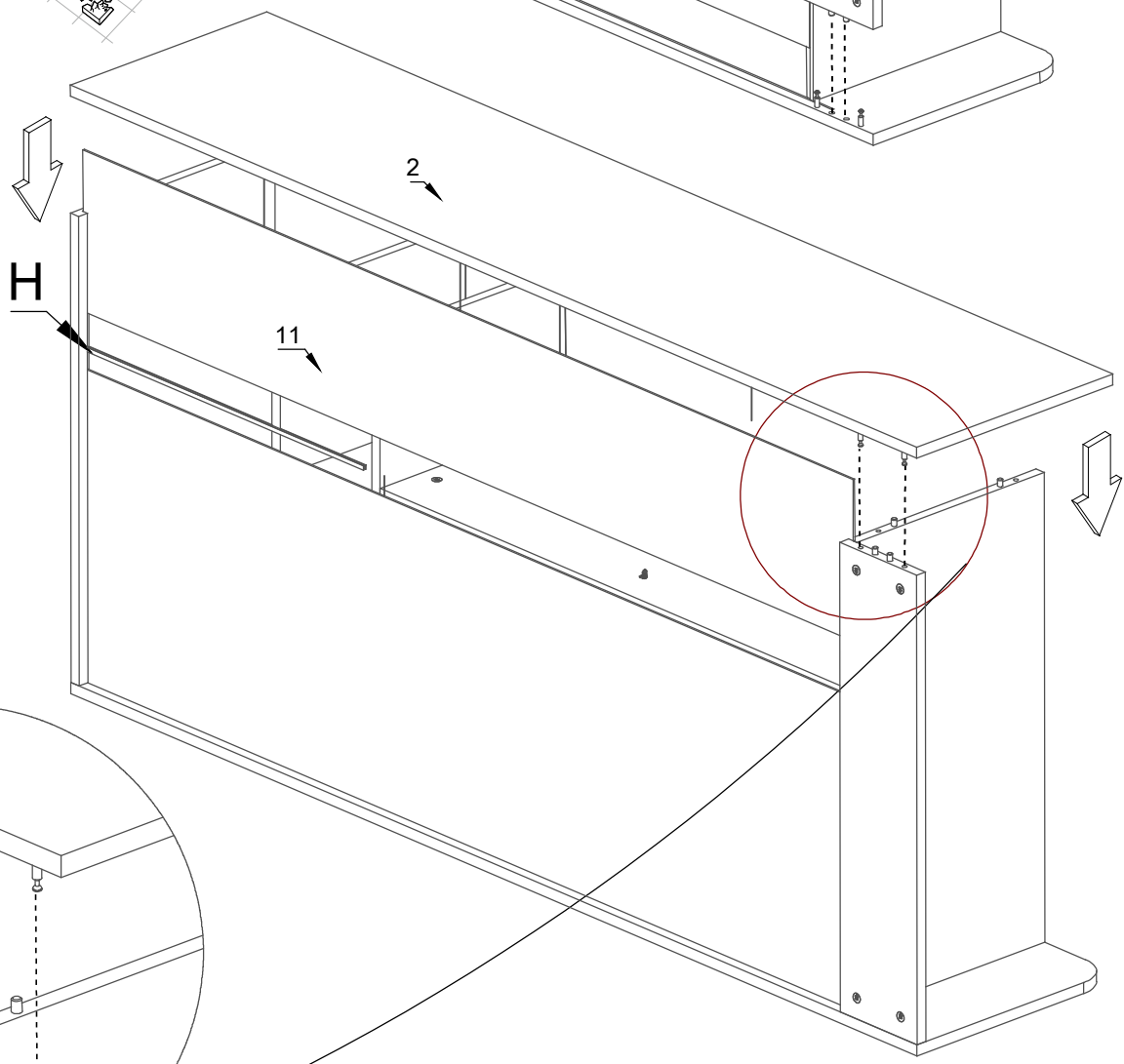
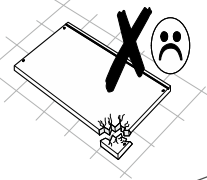
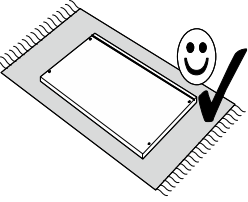
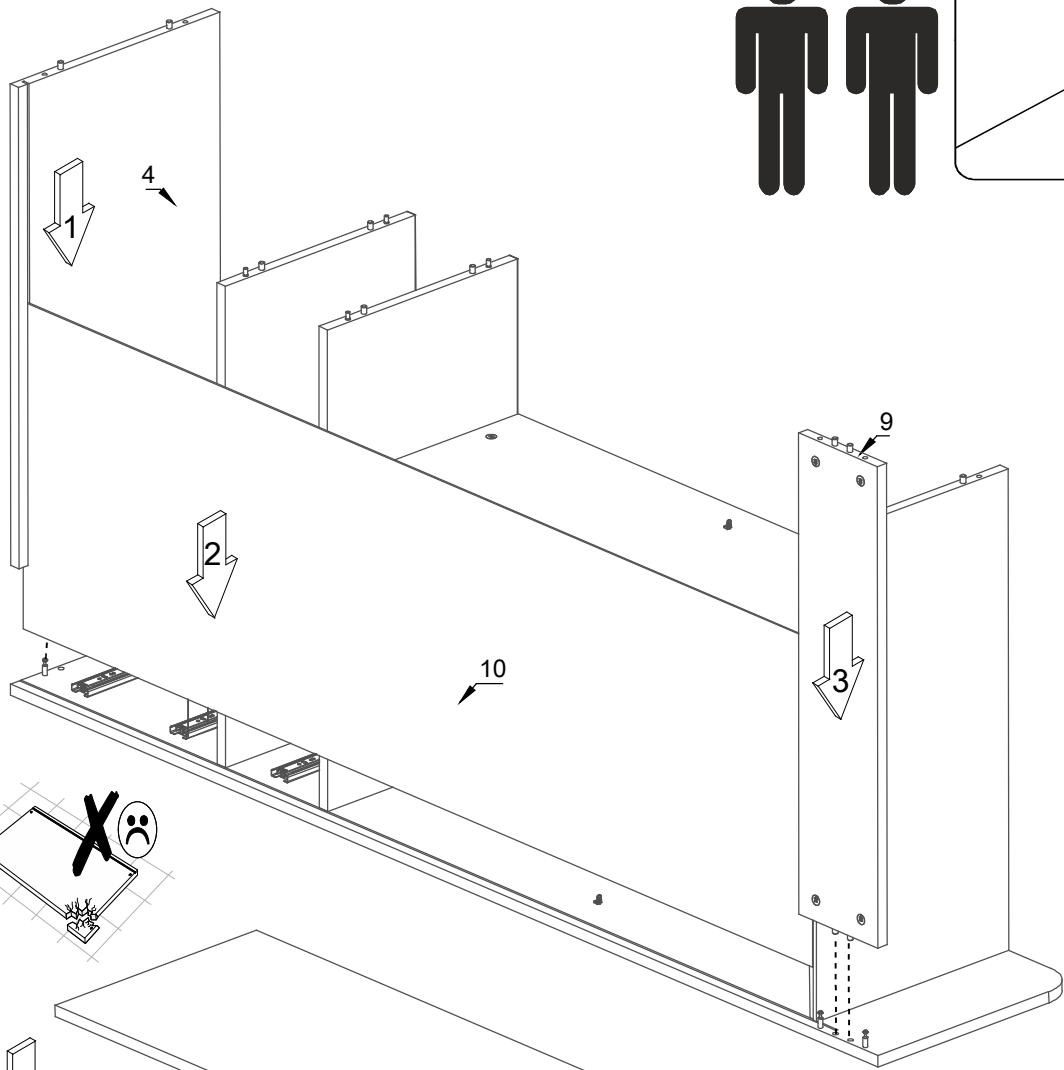
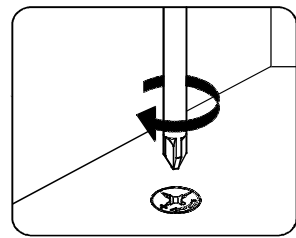
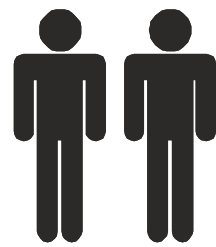
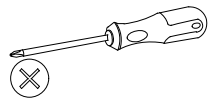
ZP  2	W4x16  4
--	---

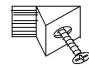

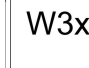
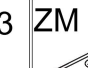


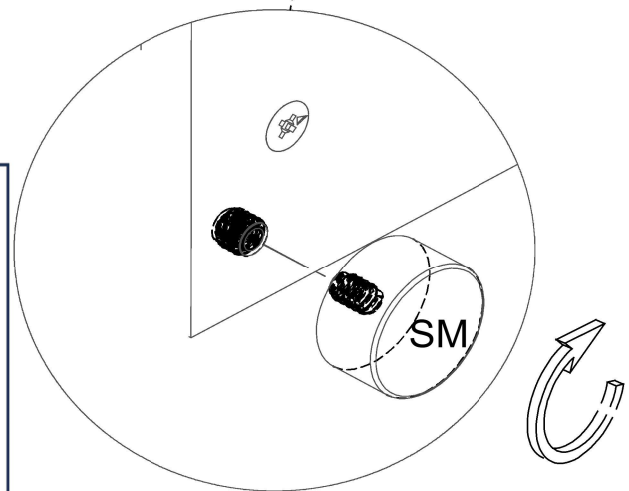
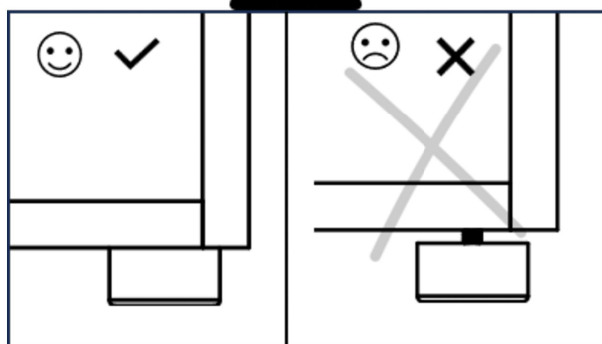
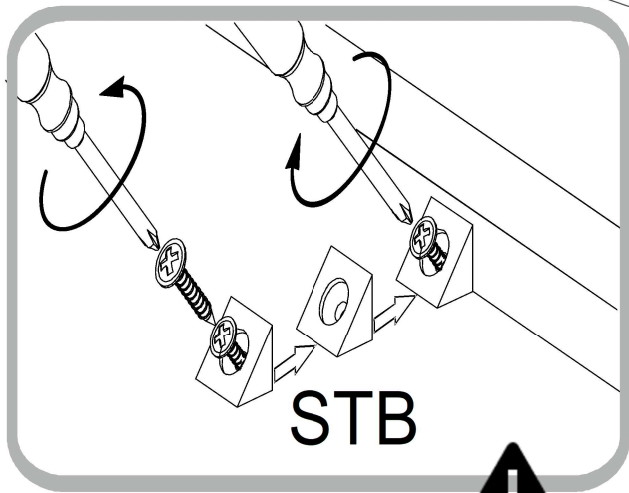
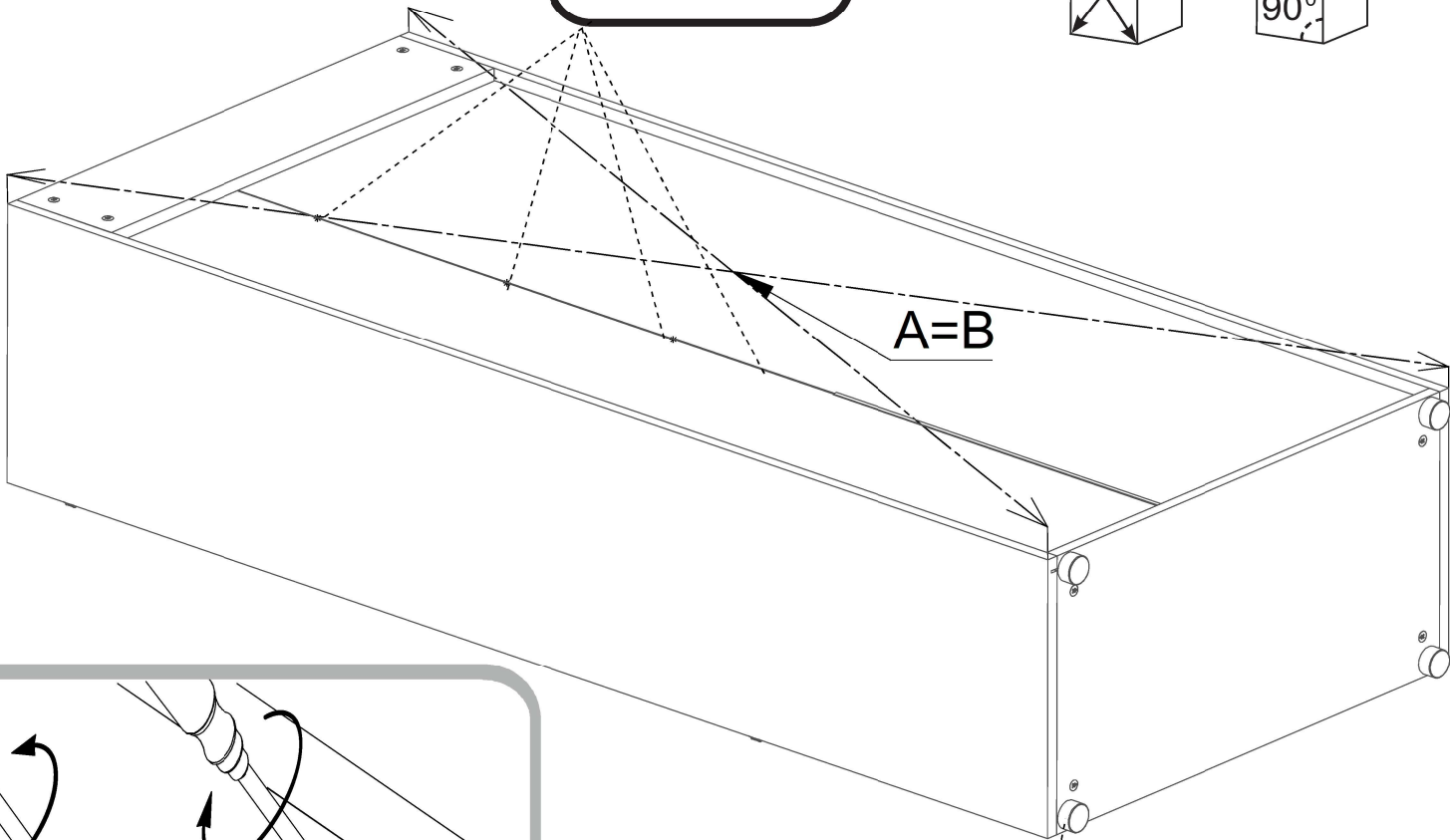
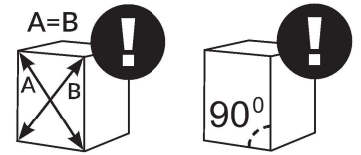
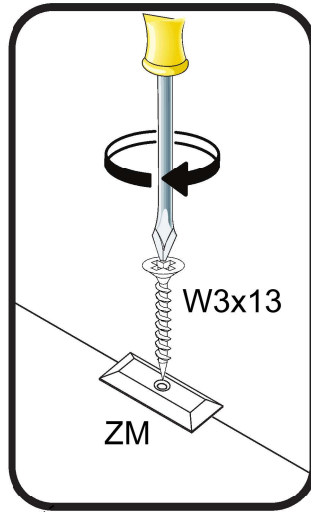
 M1 12	 K30 18	 T1 12	 E5x13 12	 KF 6	 Q 1	 RL 6
--	---	--	---	---	--	---










 STB	 SM	 W3x13	 ZM
8	4	4	4



 M22 3	X  40	UM  3
--	---	---

