












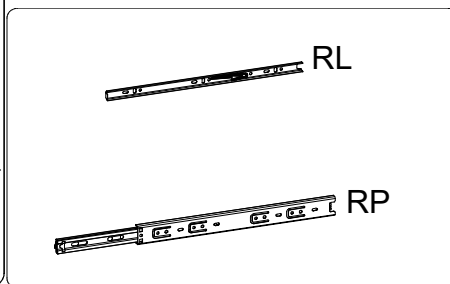
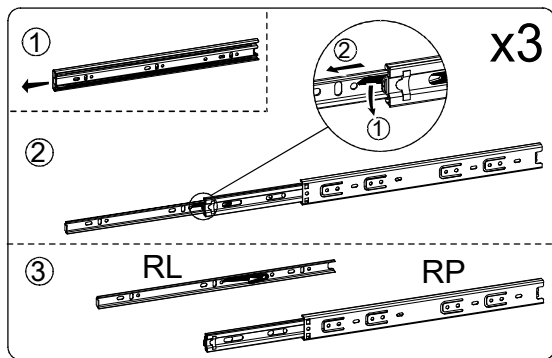



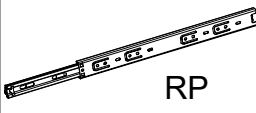
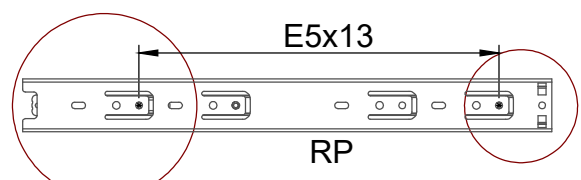
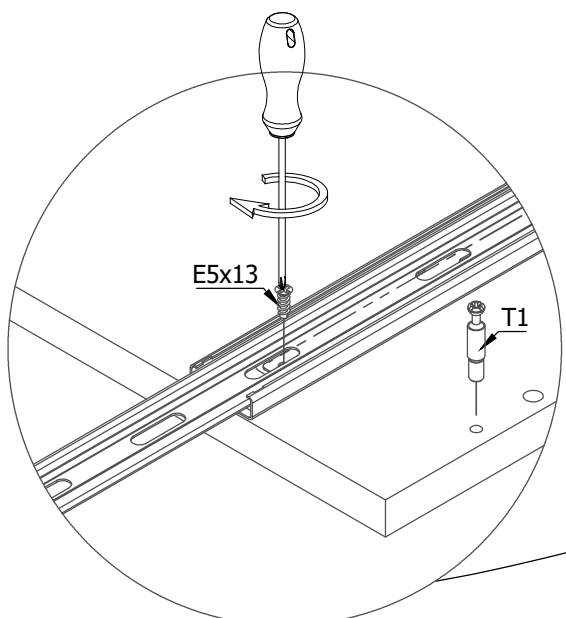
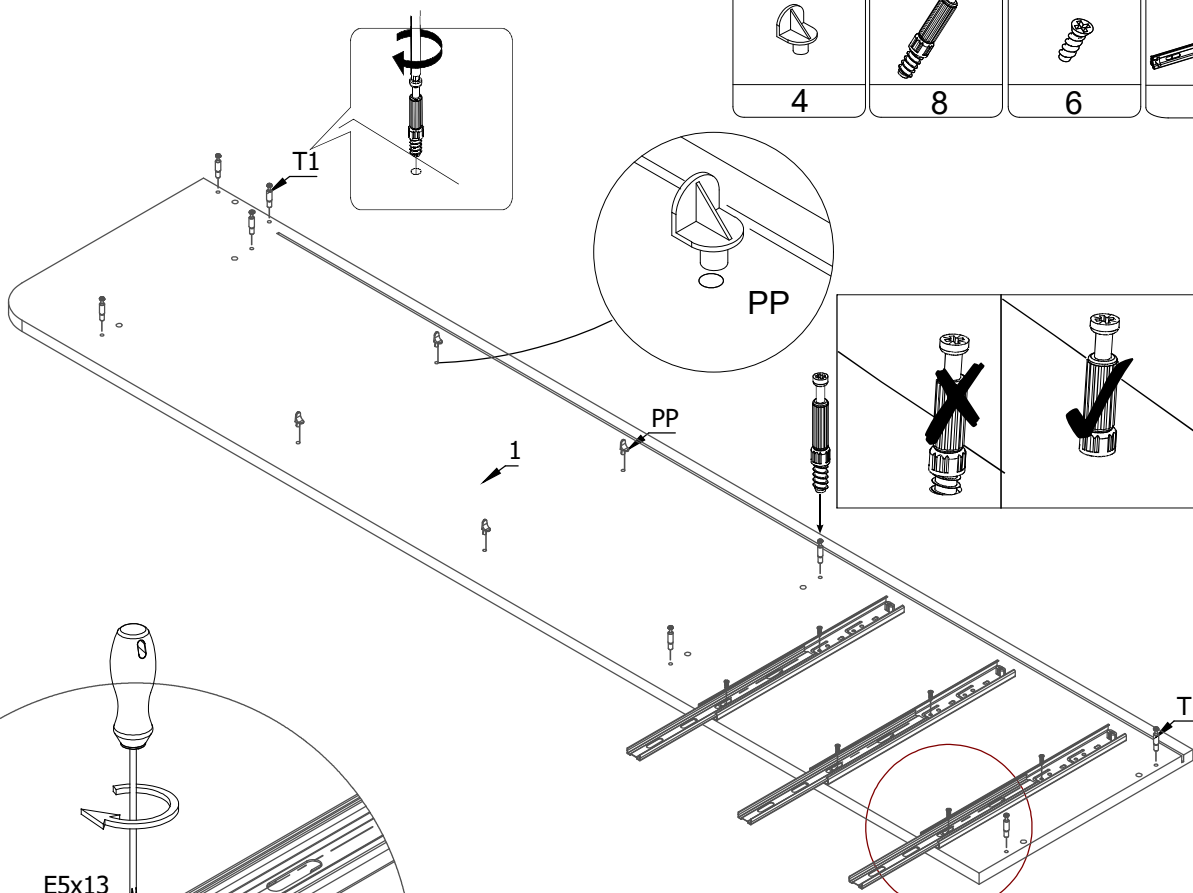





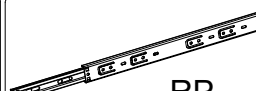
K30  34	T1  28	M1  28	X  28	STB  7	UM  3	PP  8
KF  6	Q  1	MF  4	SM  4	E5x13  24	M22  3	

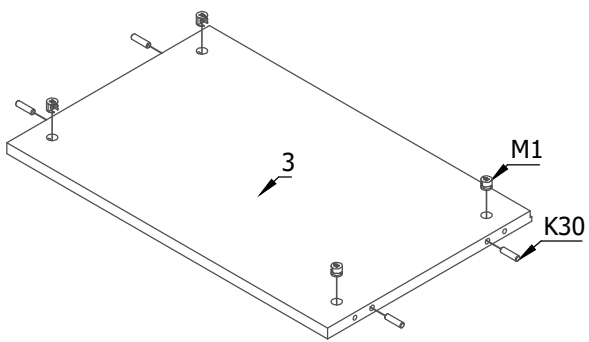
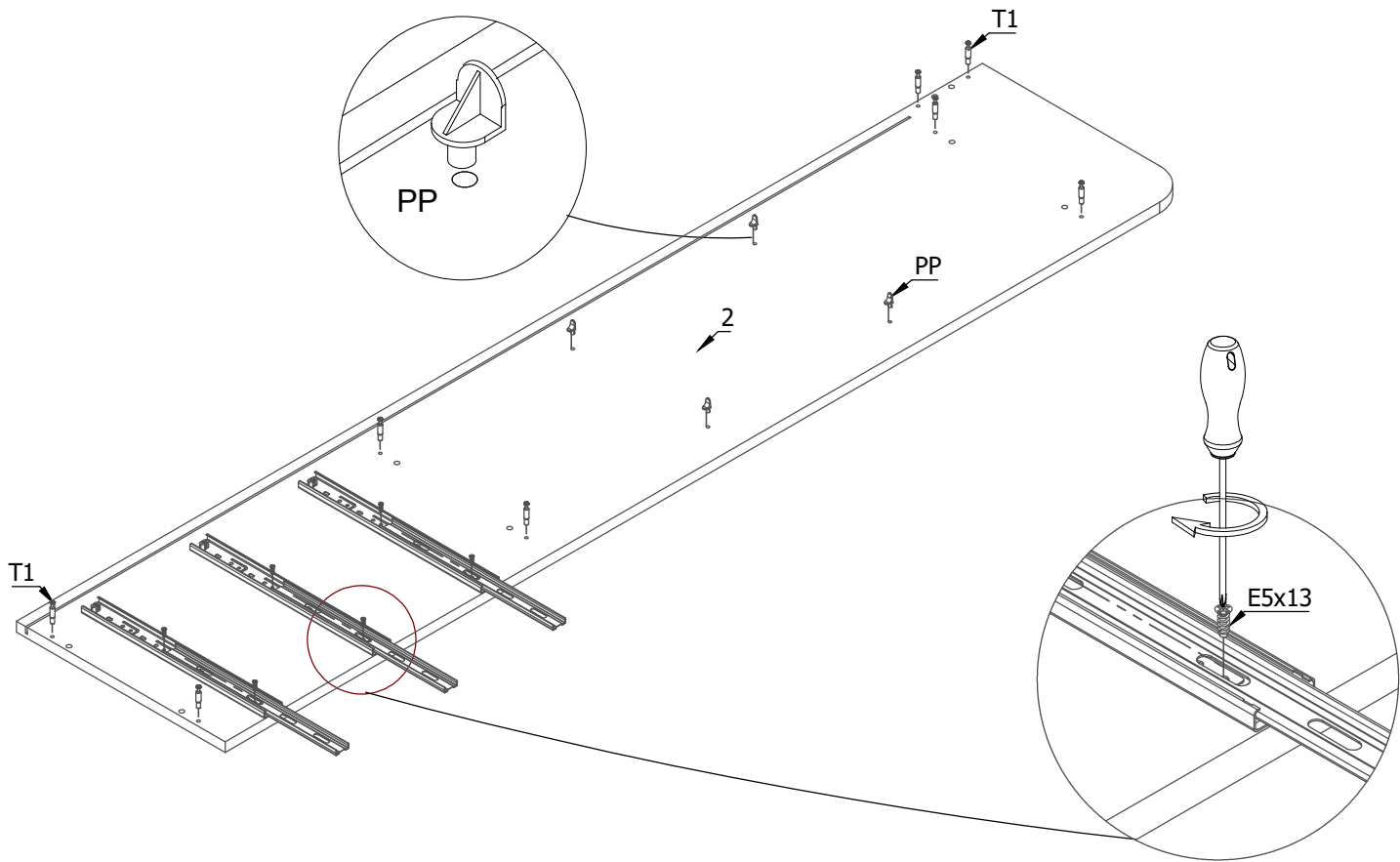



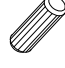

PP  4	T1  8	E5x13  6	RP  3
---	---	--	---

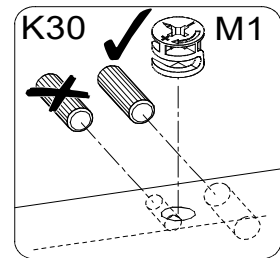
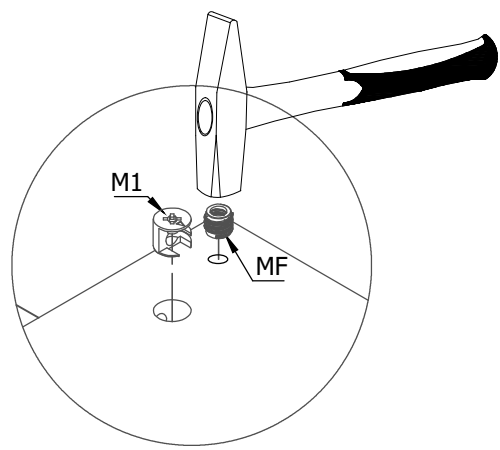
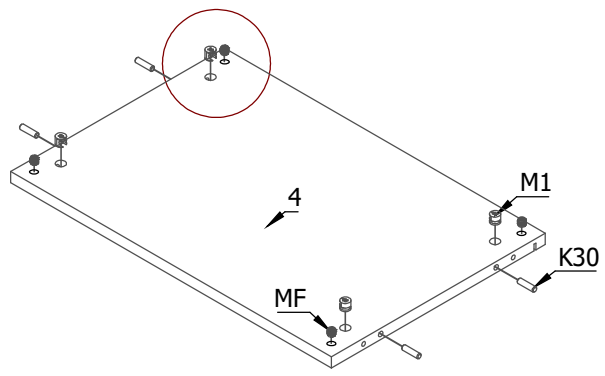
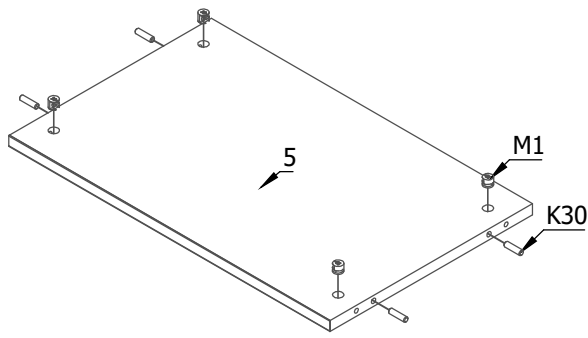




FRONT

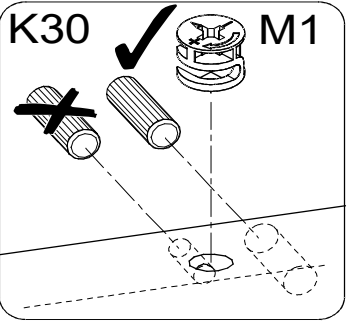
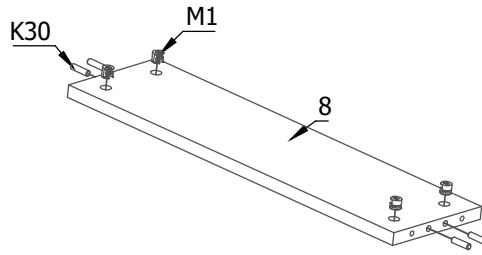
PP  4	T1  8	E5x13  6	RP  3
---	---	--	---










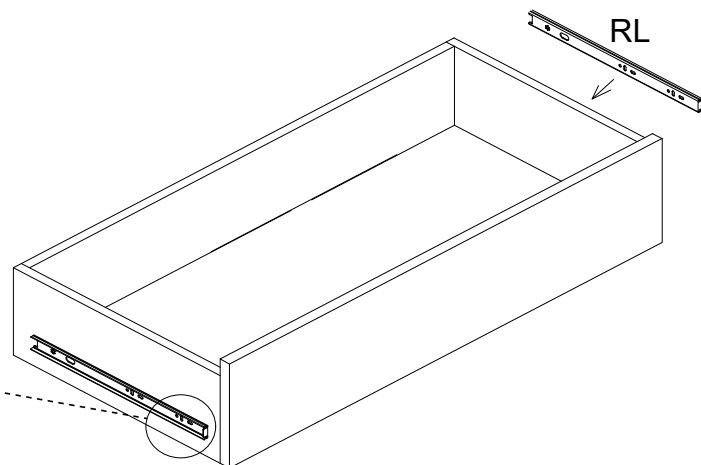
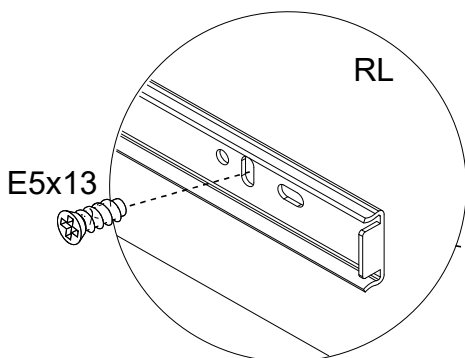
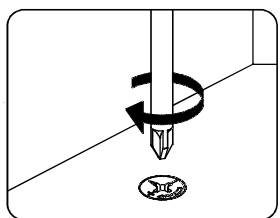
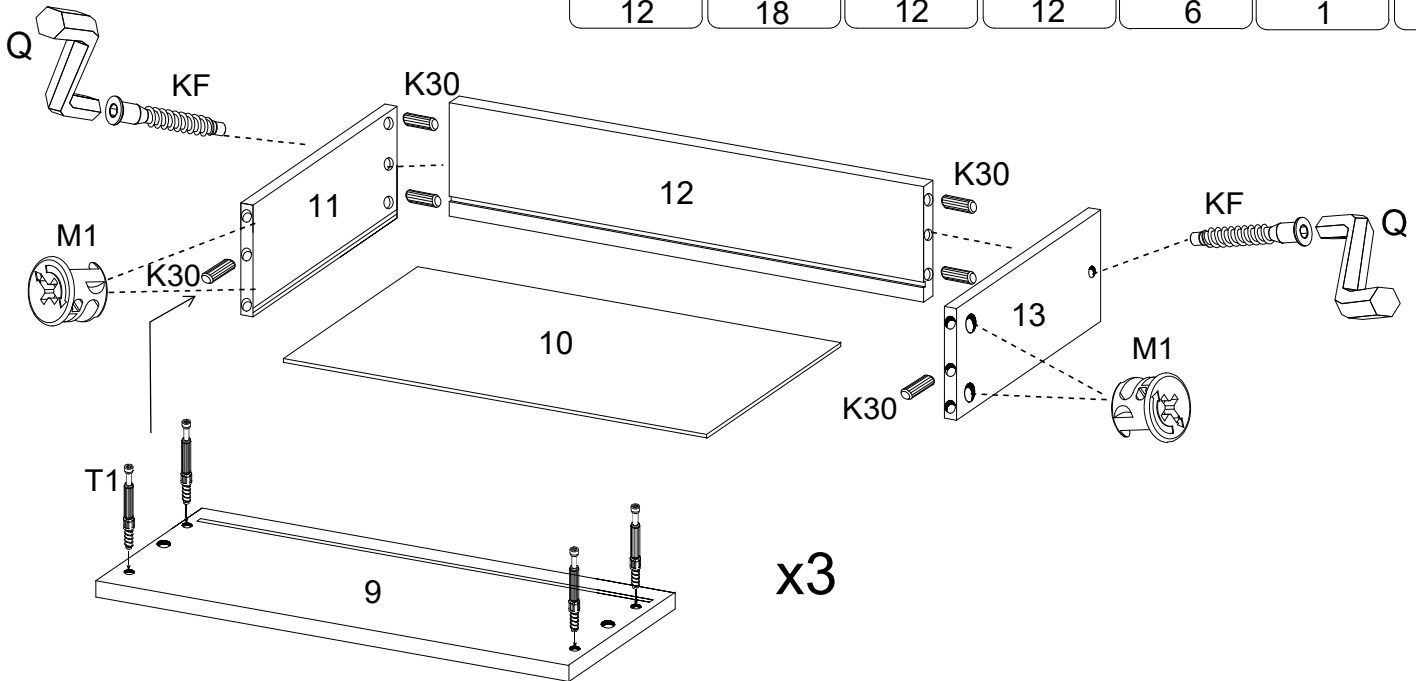
M1  12	K30  12	MF  4
---	--	--

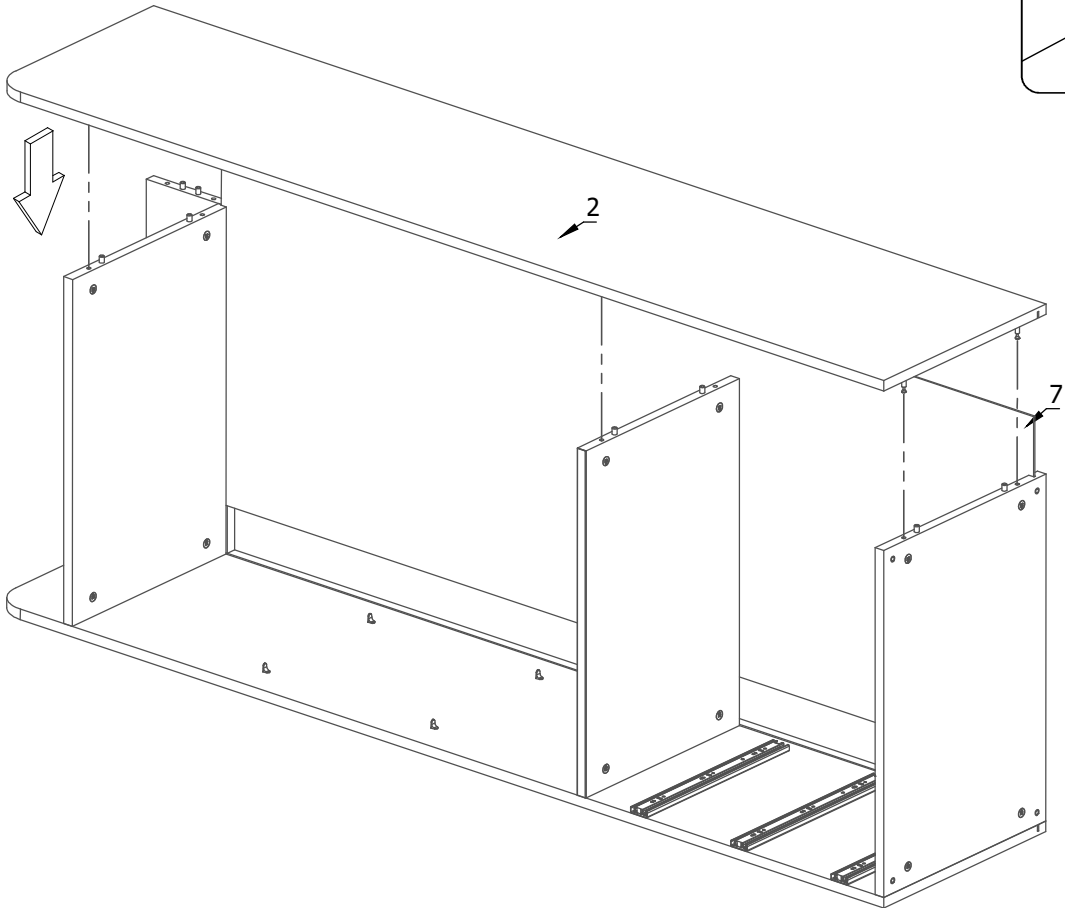
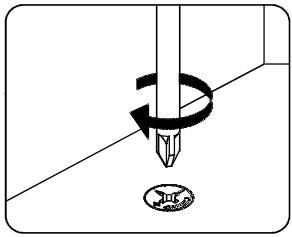
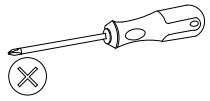
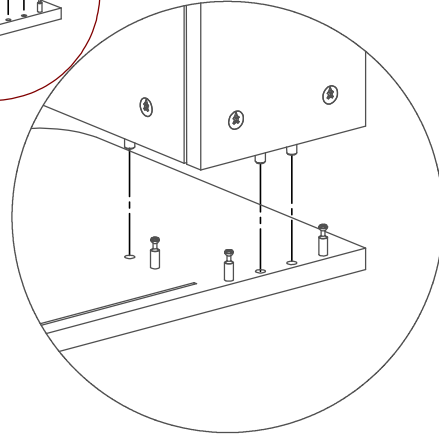
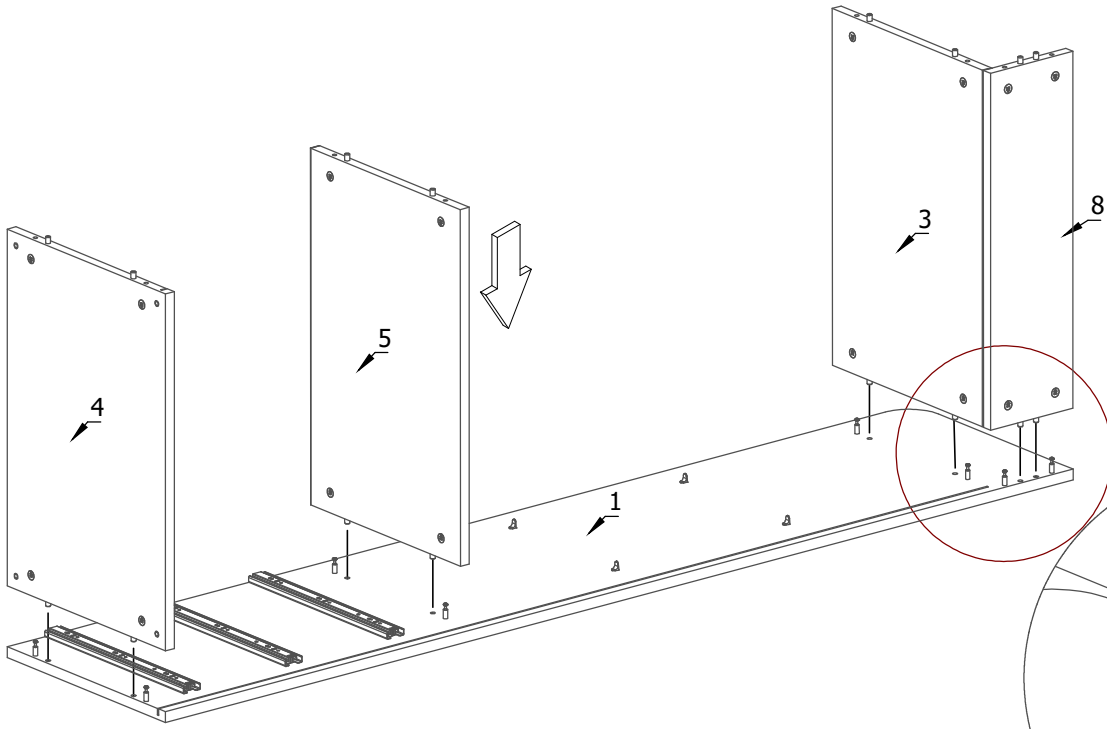
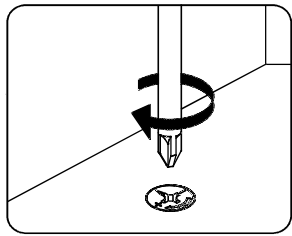
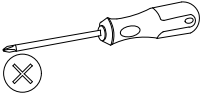


M1	K30
	
4	4

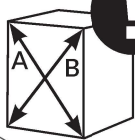


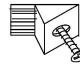

M1	K30	T1	E5x13	KF	Q	RL
						
12	18	12	12	6	1	6

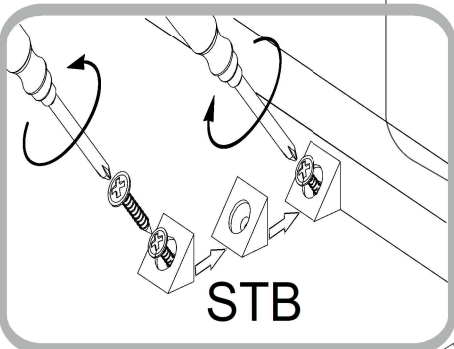
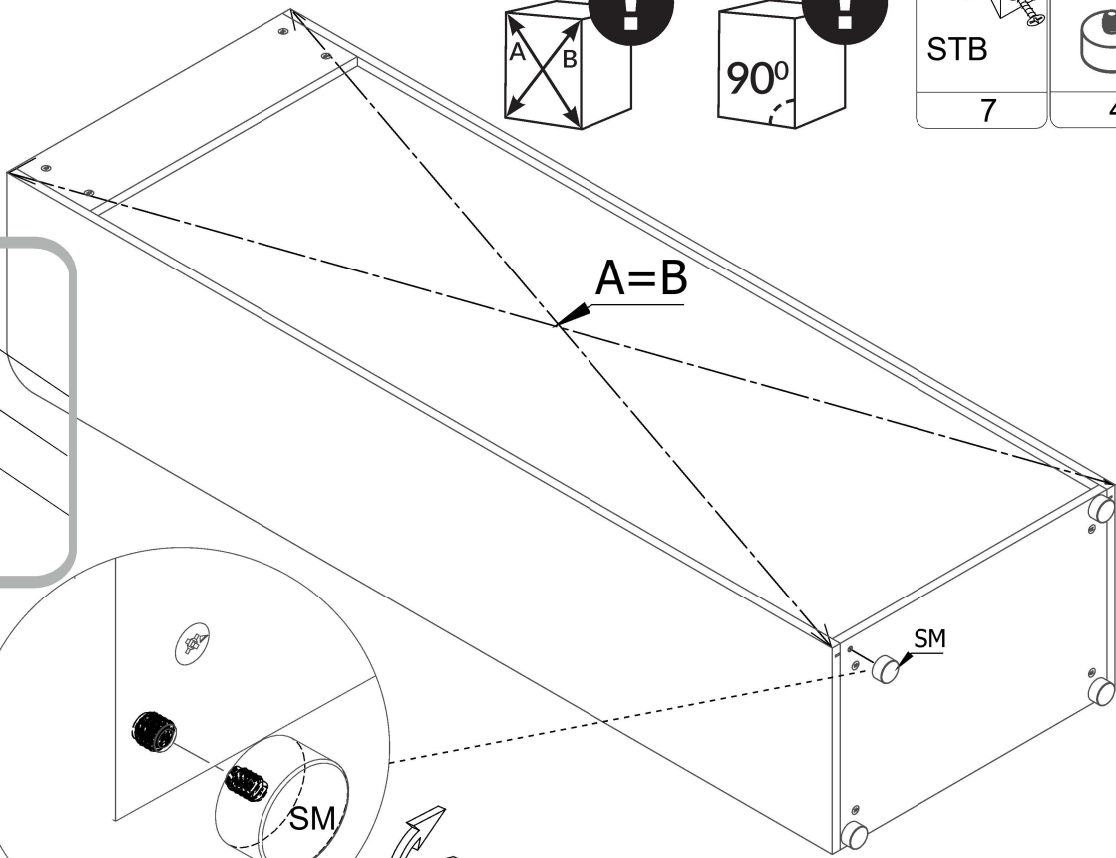




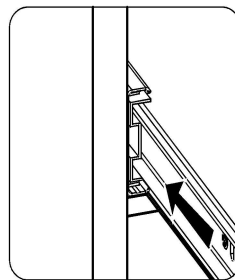
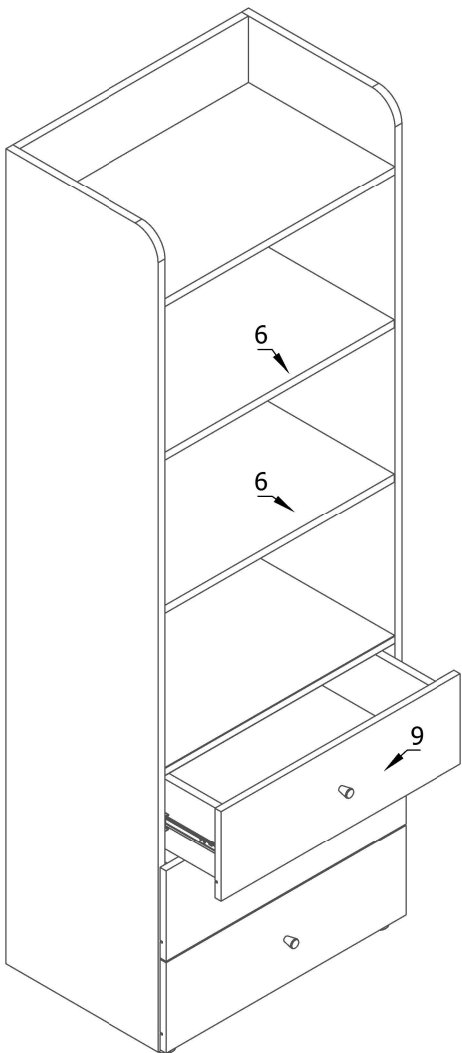
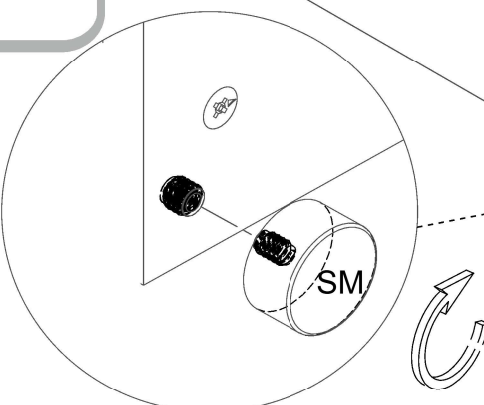
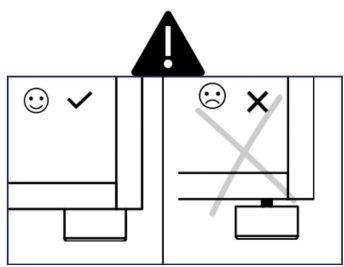
A=B






 STB	 SM
7	4



STB



 M22	 X	 UM
3	28	3

