



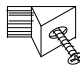
















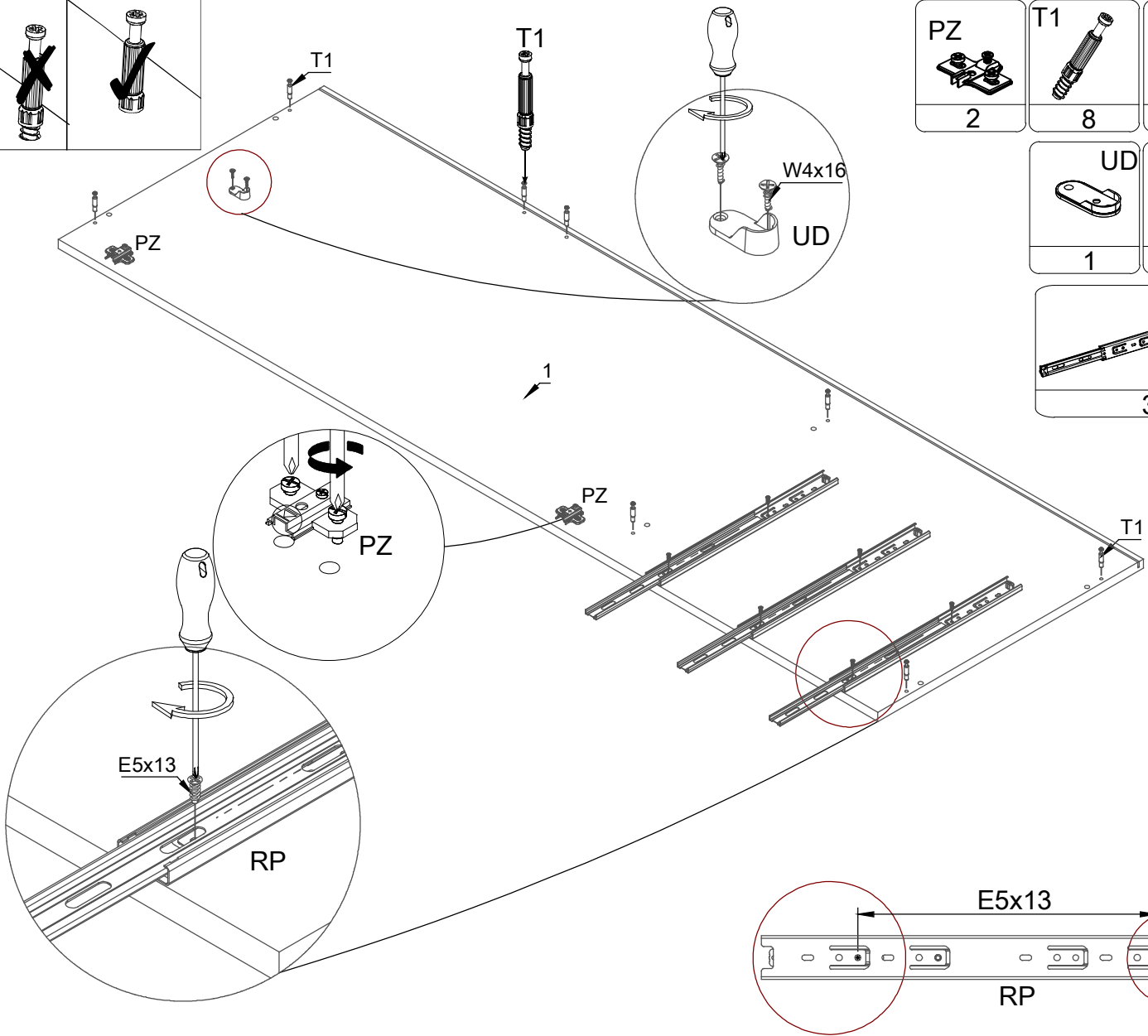
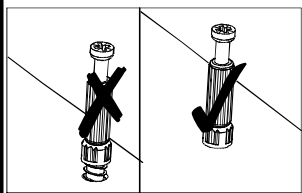
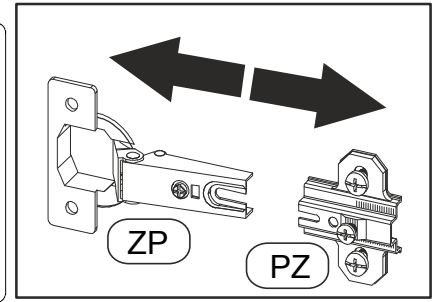
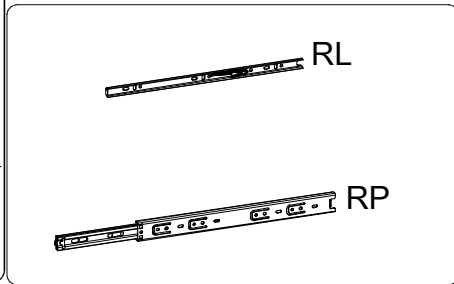
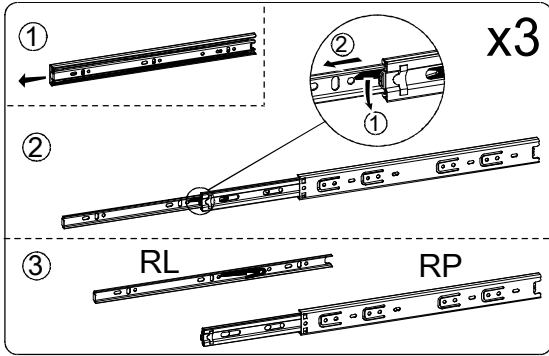





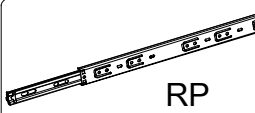


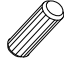
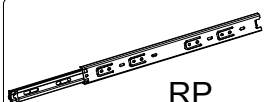





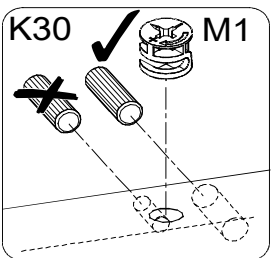
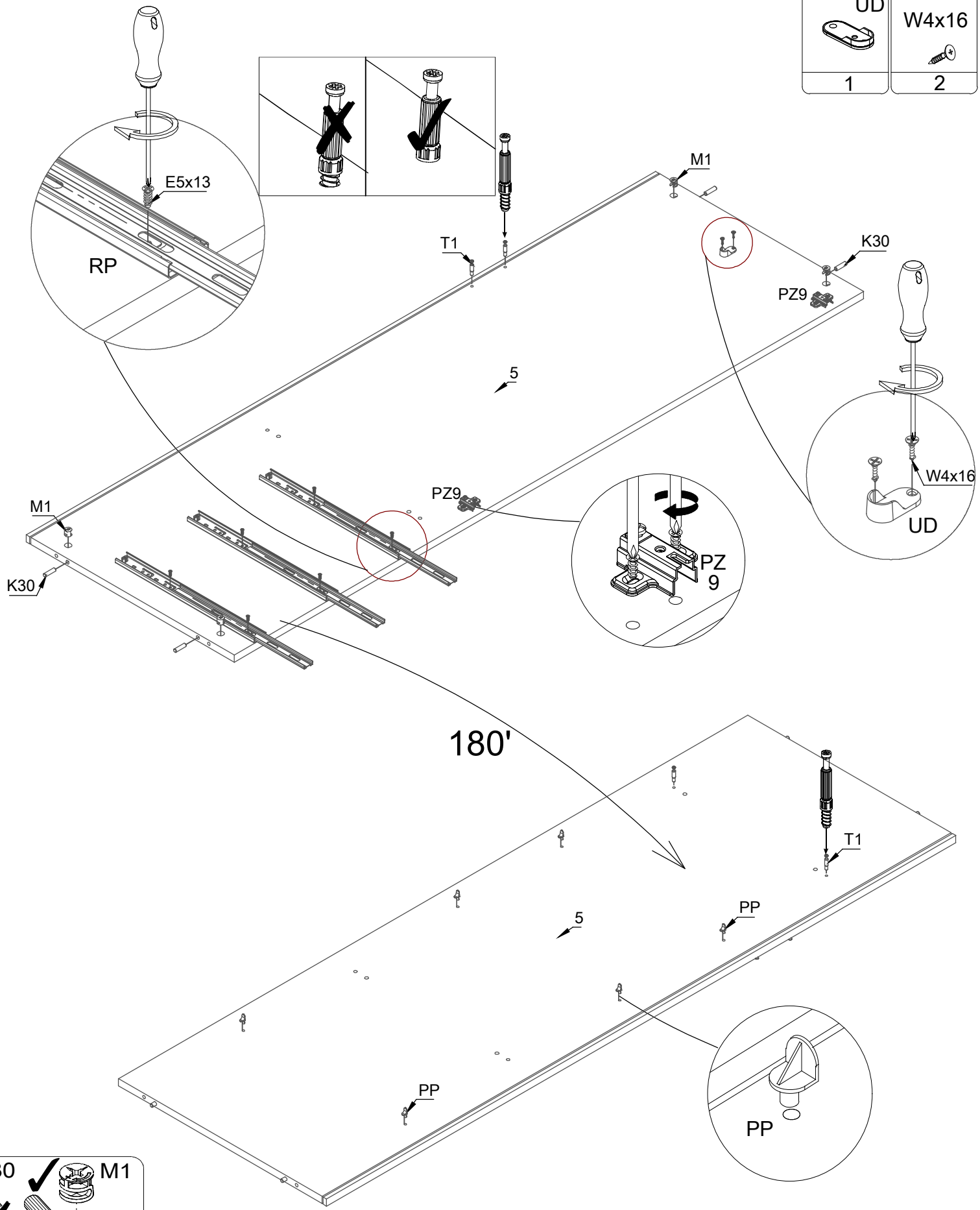





K30  38	T1  36	M1  40	X  40	STB  22	UM  6	K1  2
KF  6	W4x16  18	MF  5	SM  5	E5x13  24	M22  6	A1  2
Q  1	UD  2	ZP  5	PZ  5	PP  12	PZ9  2	PZ9  2

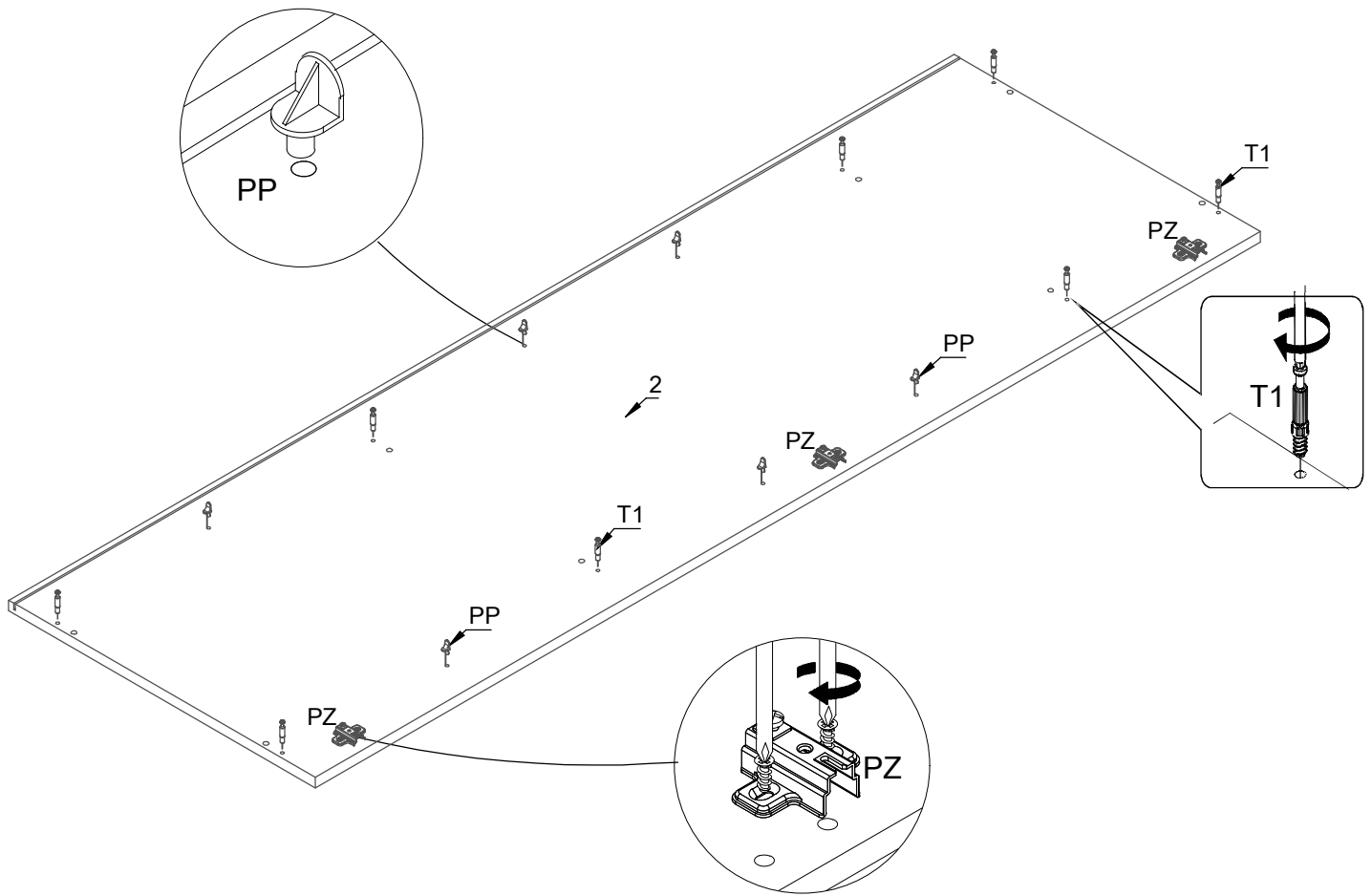





PZ  2	T1  8	E5x13  6
UD  1	W4x16  2	
RP  3		

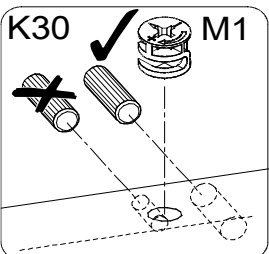
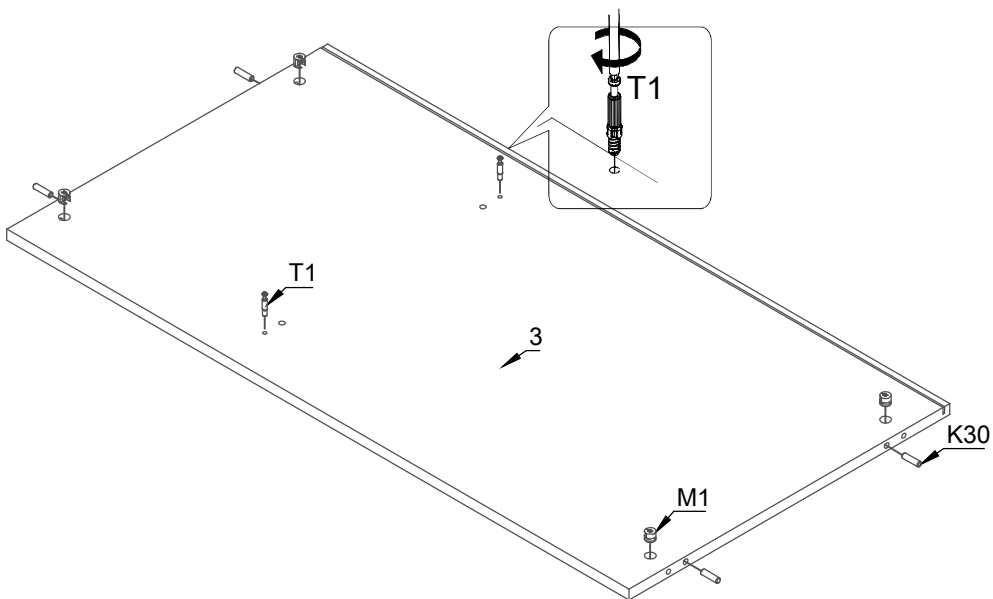
PP  6	M1  4	K30  4	 RP 3	PZ9  2	T1  4	E5x13  6
				UD  1	W4x16  2	







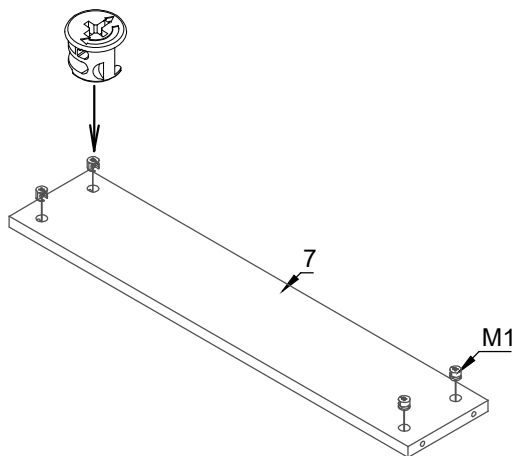
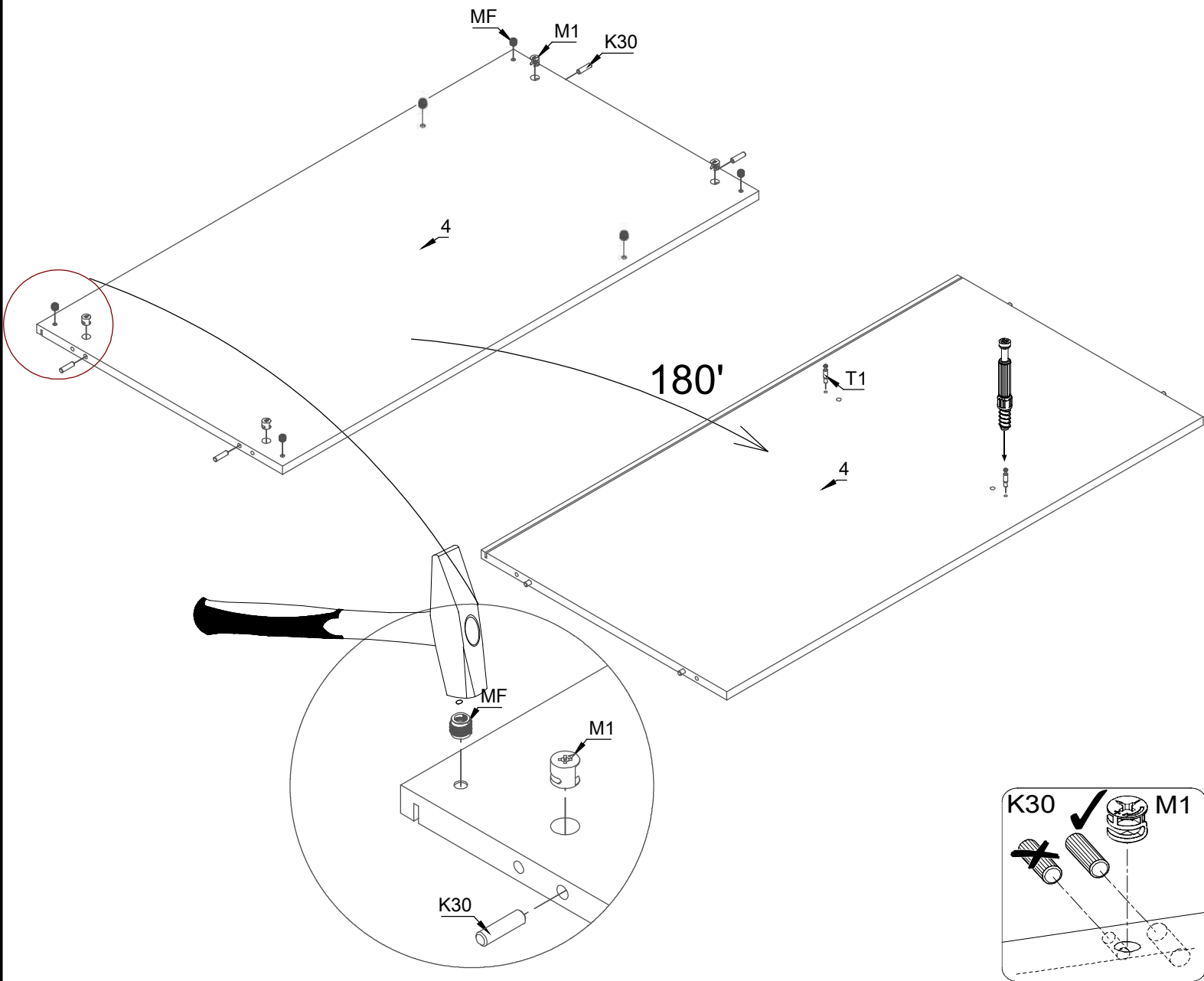
PP 	PZ 	T1 
6	3	8






M1 	K30 	T1 
4	4	2

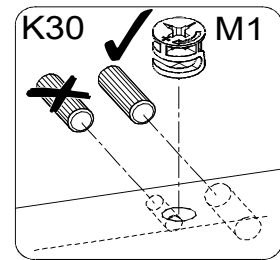
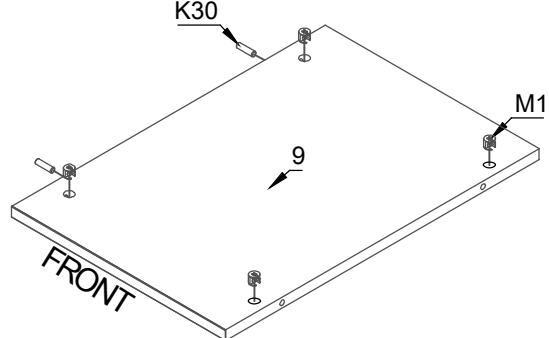
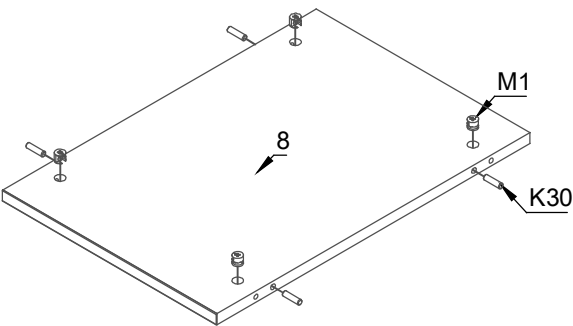
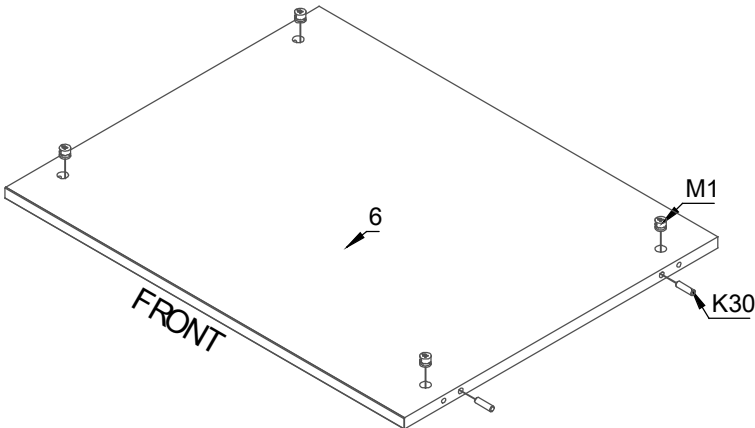


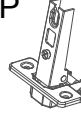

T1  2	M1  4	K30  4	MF  6
---	---	--	---

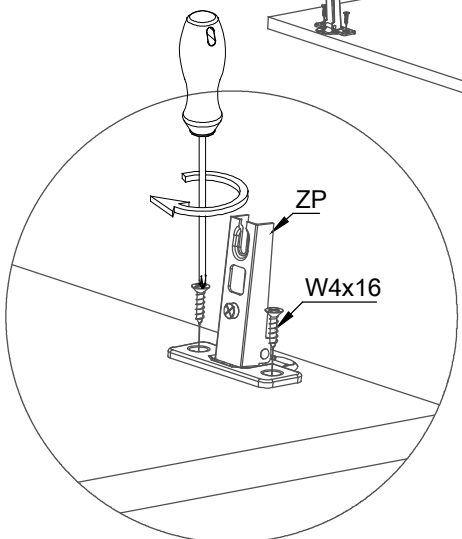
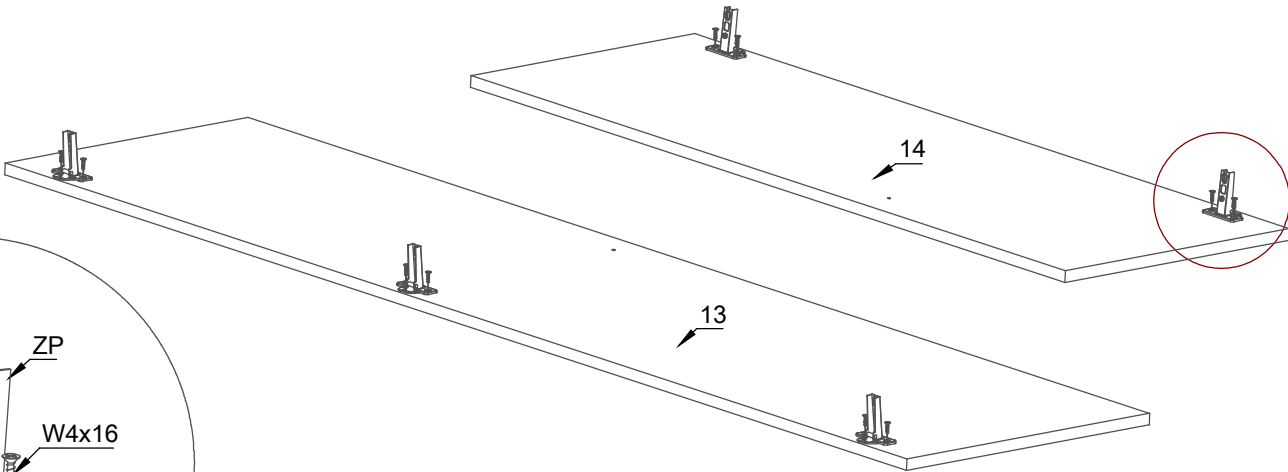




M1  4
--

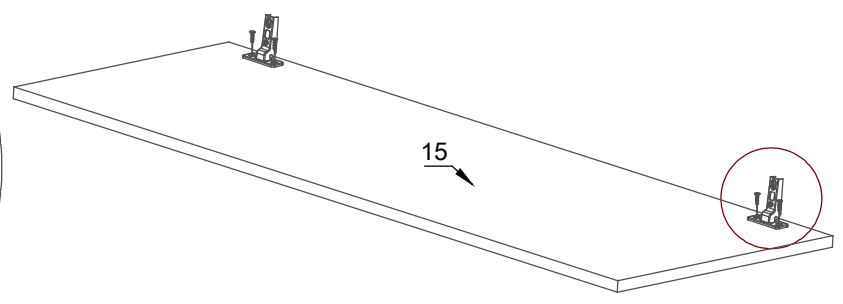
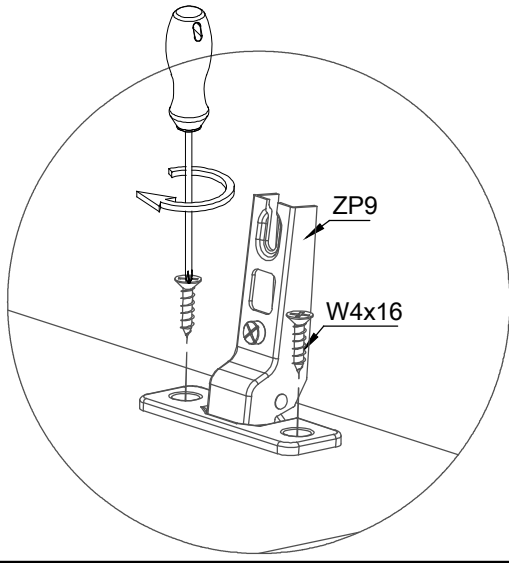
M1	K30
	
12	8


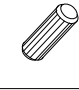







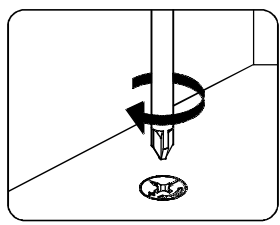
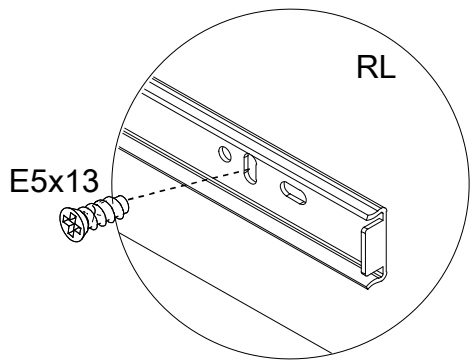
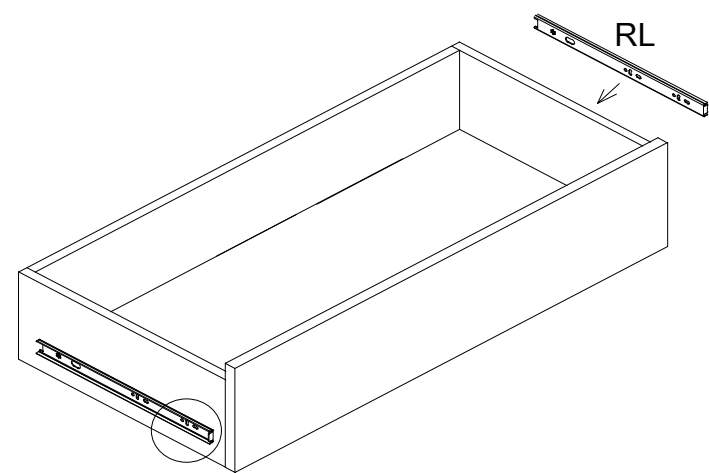
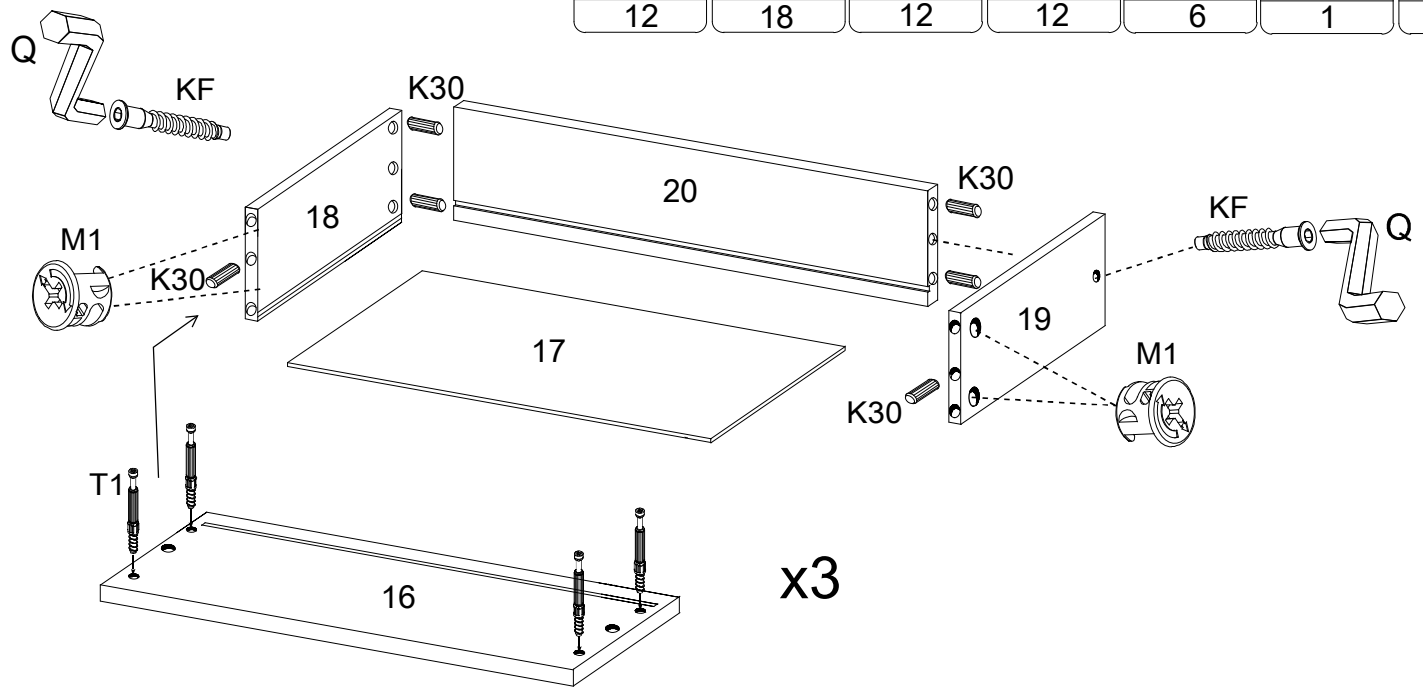
ZP	W4x16
	
5	10

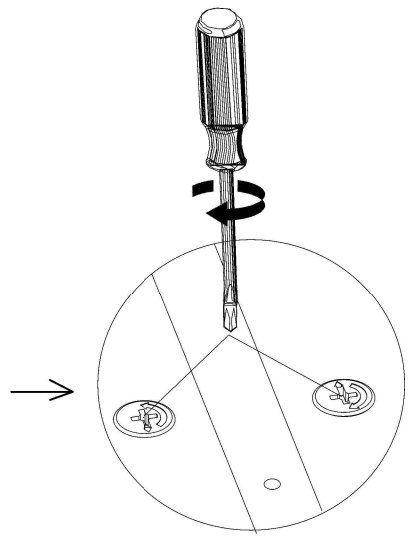
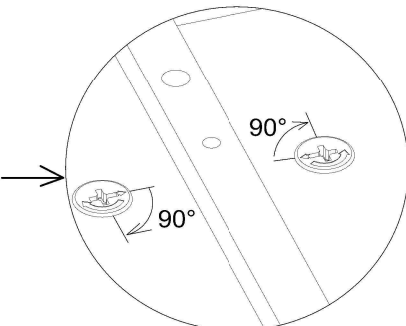
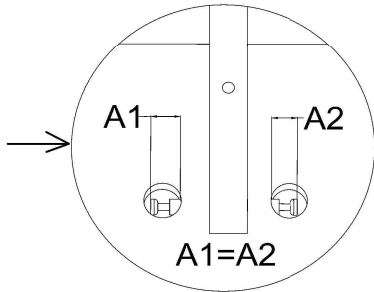
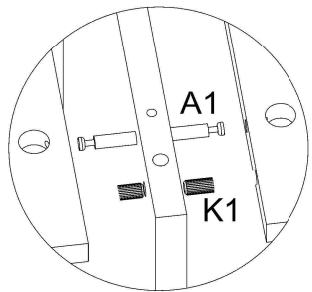
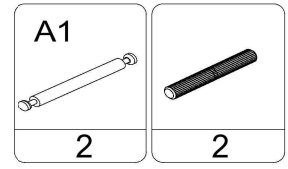
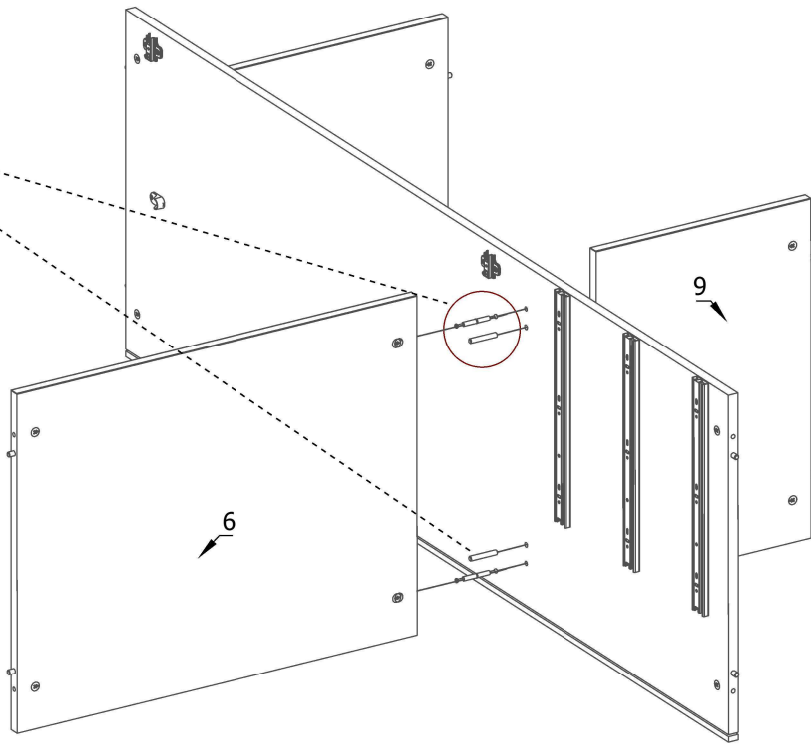
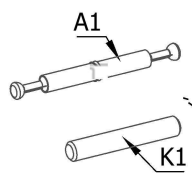
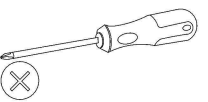
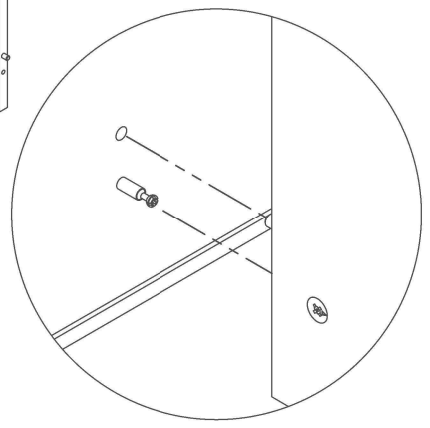
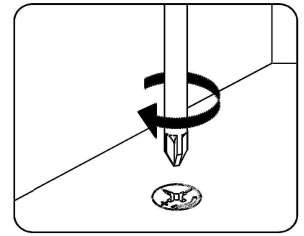
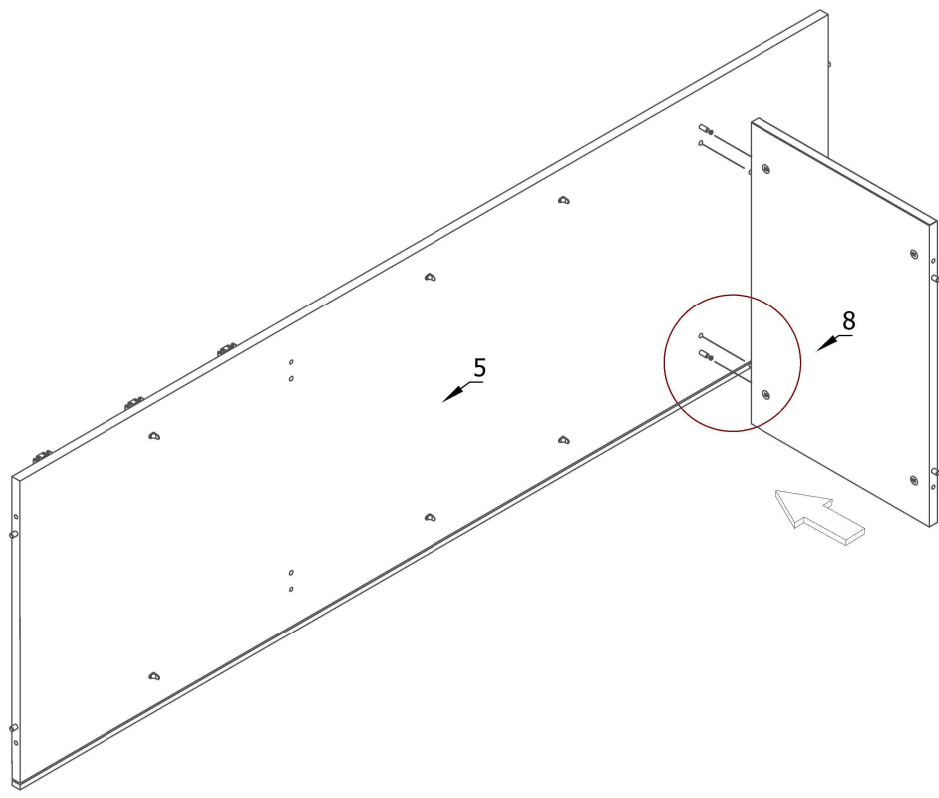
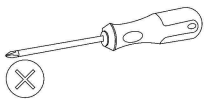


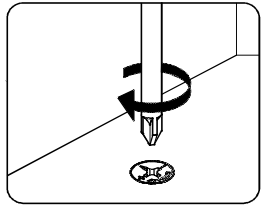
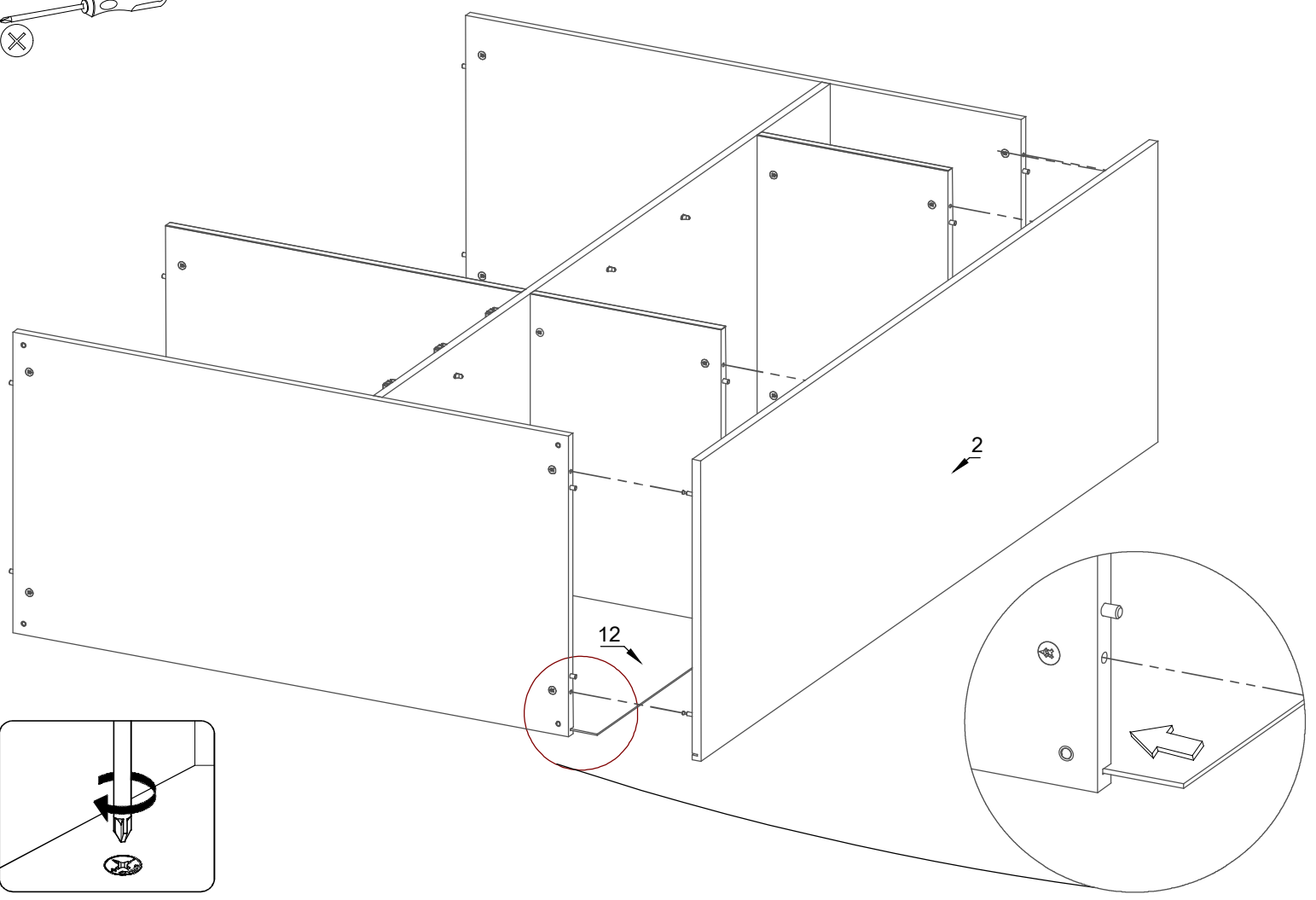
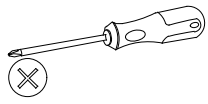
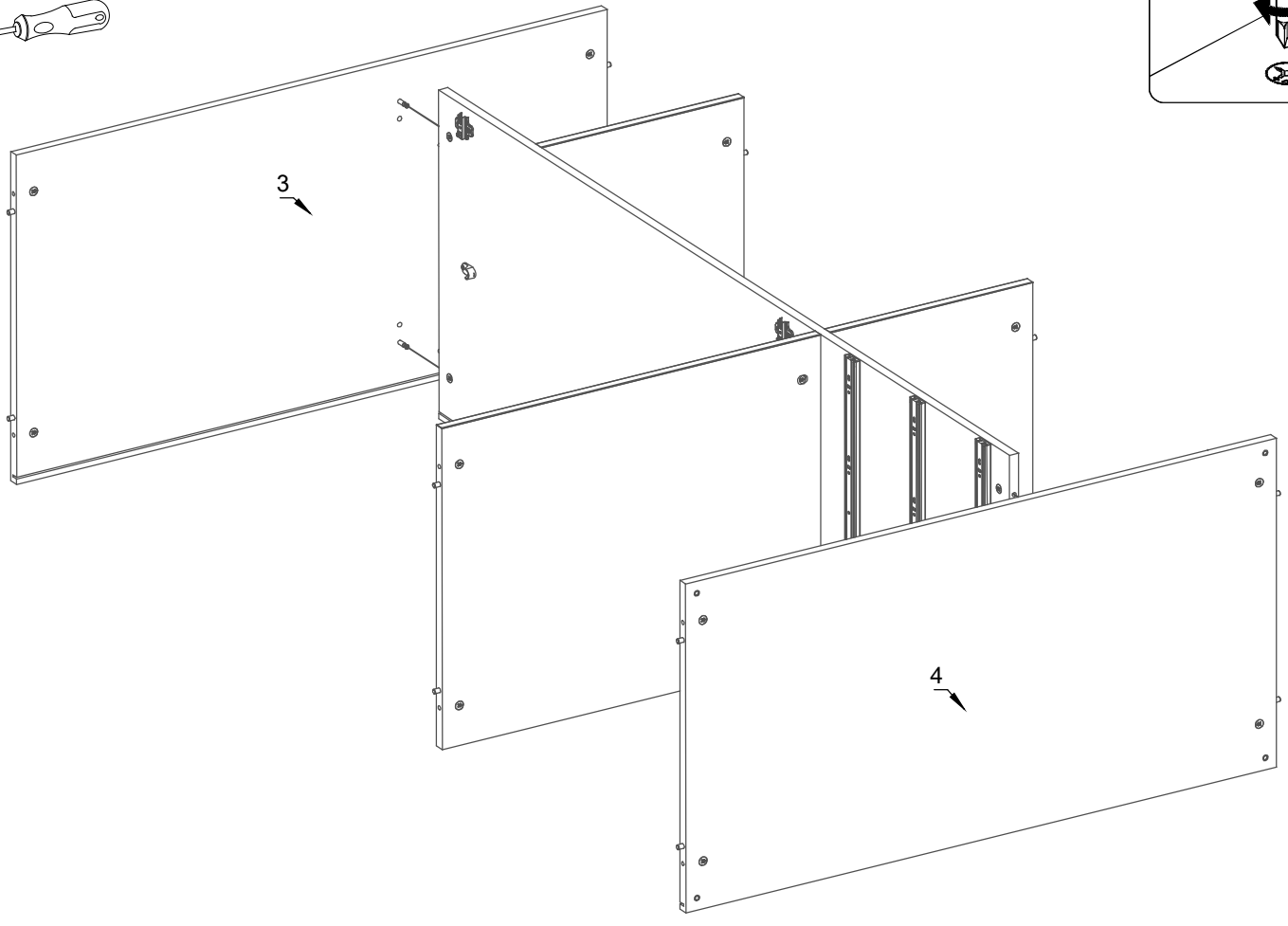
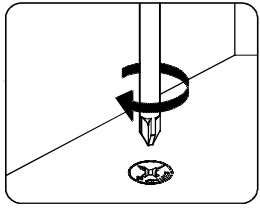
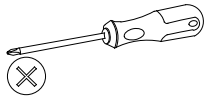
ZP9	W4x16
	
2	4

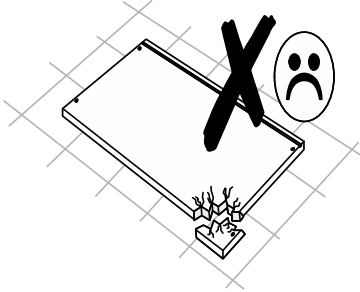
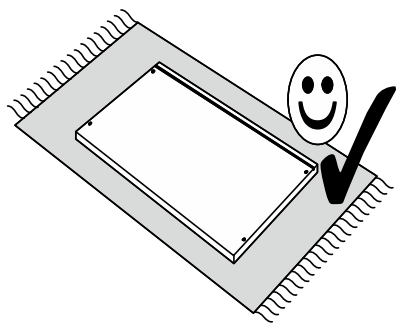
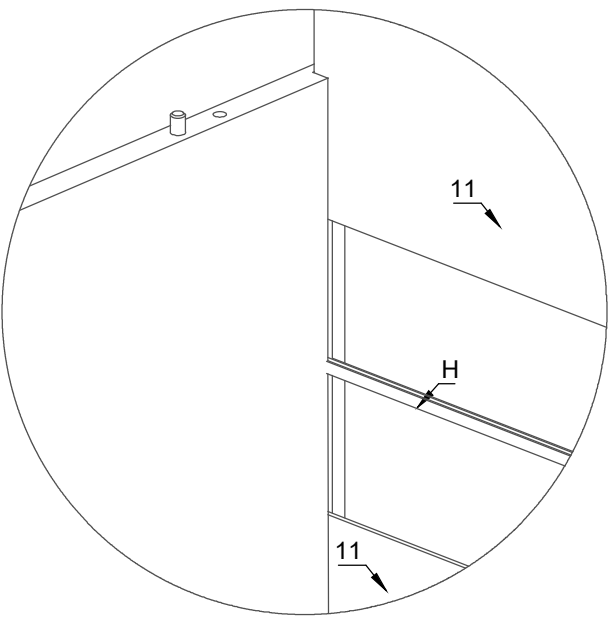
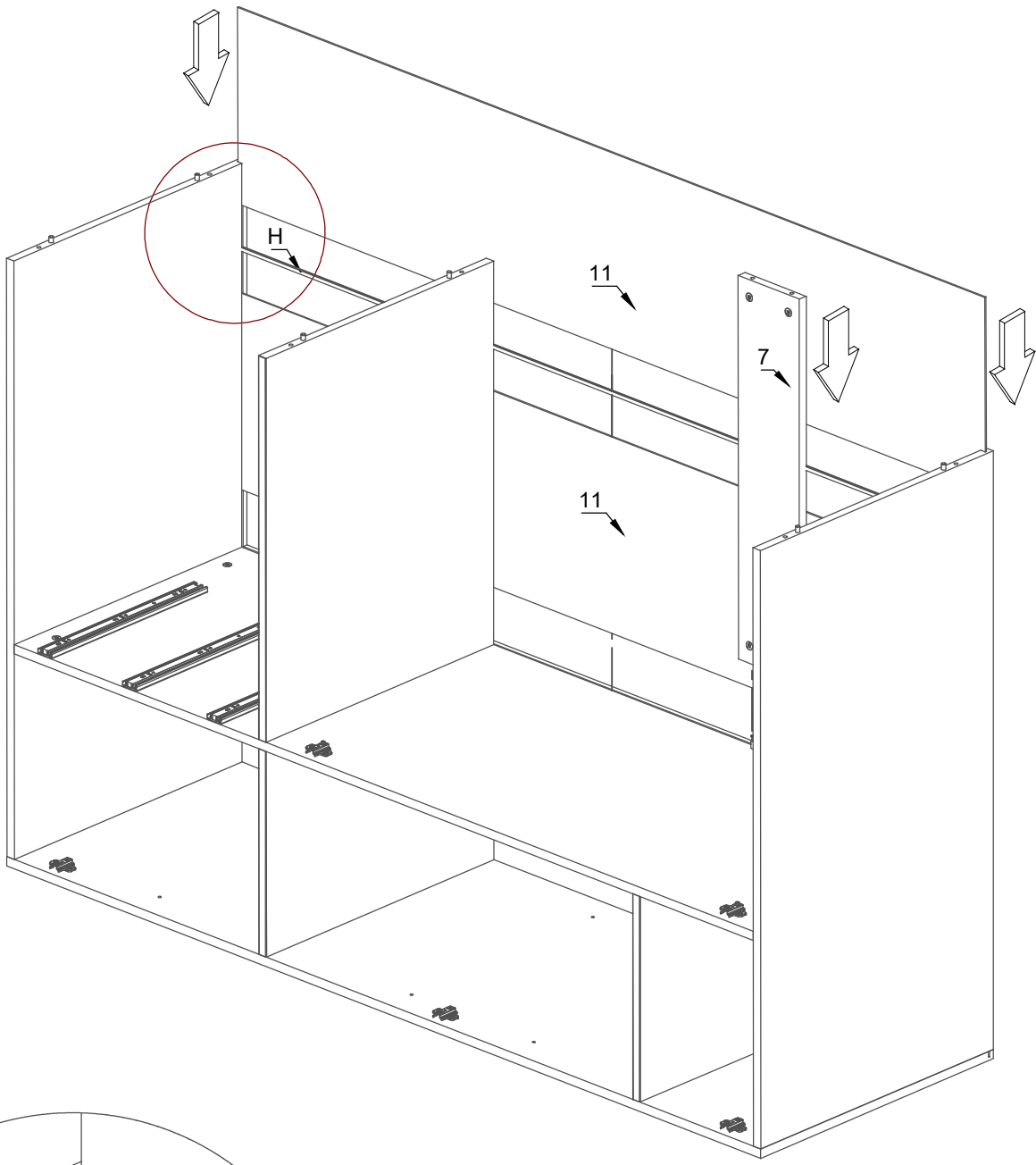
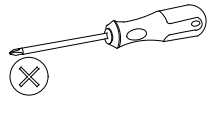
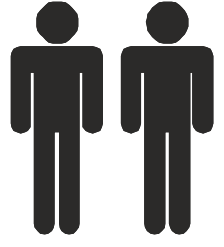


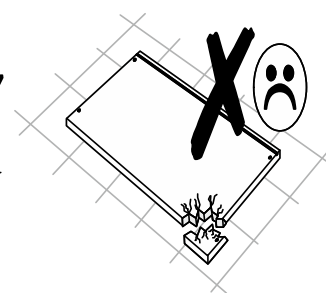
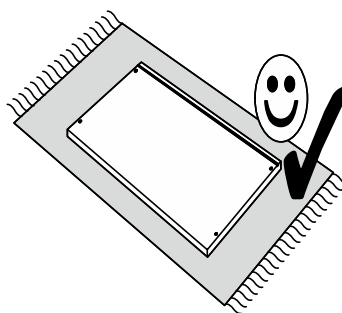
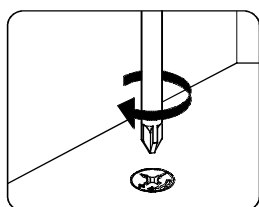
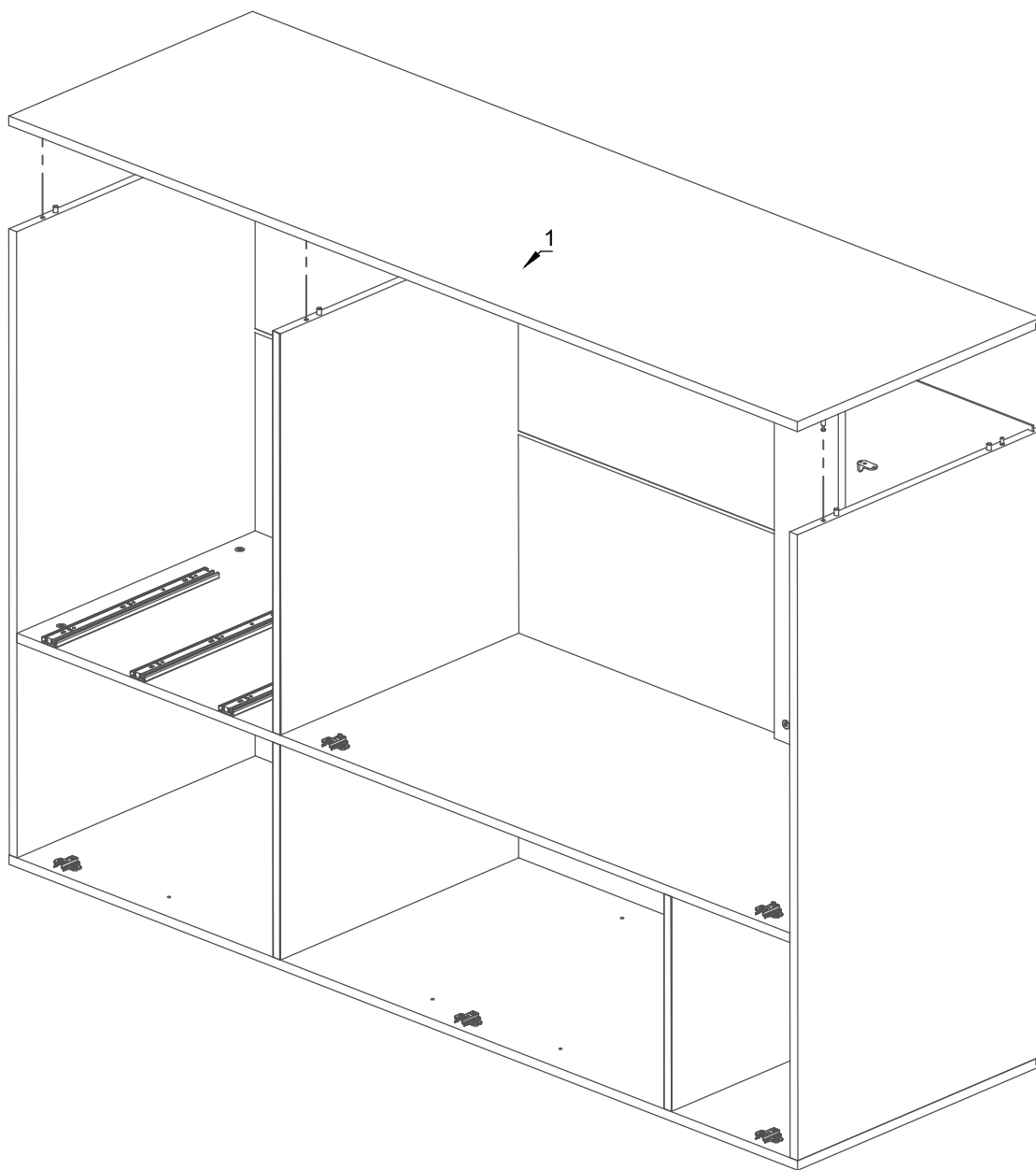
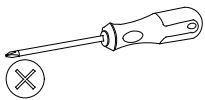
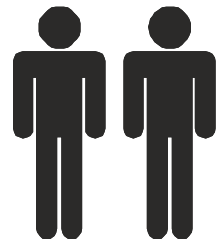
M1	K30	T1	E5x13	KF	Q	RL
						
12	18	12	12	6	1	6

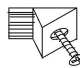



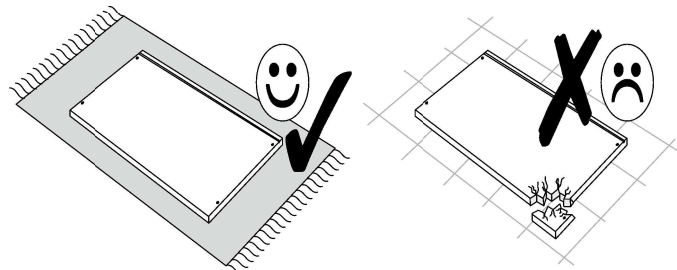
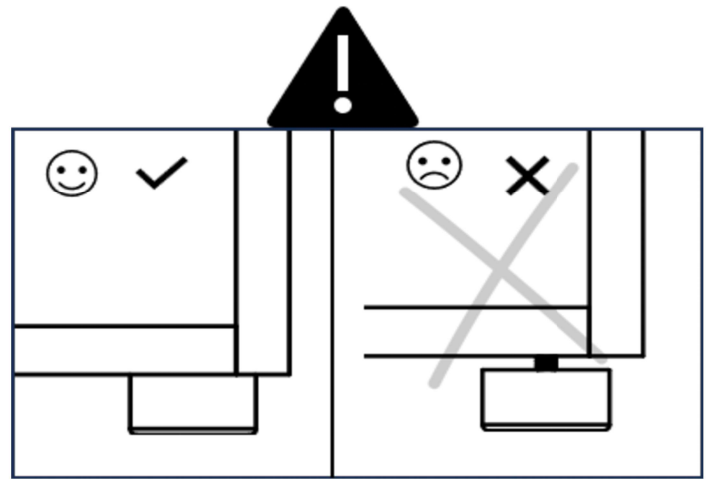
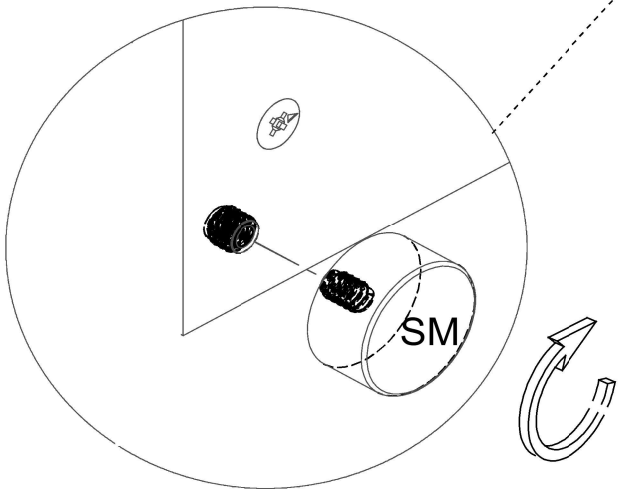
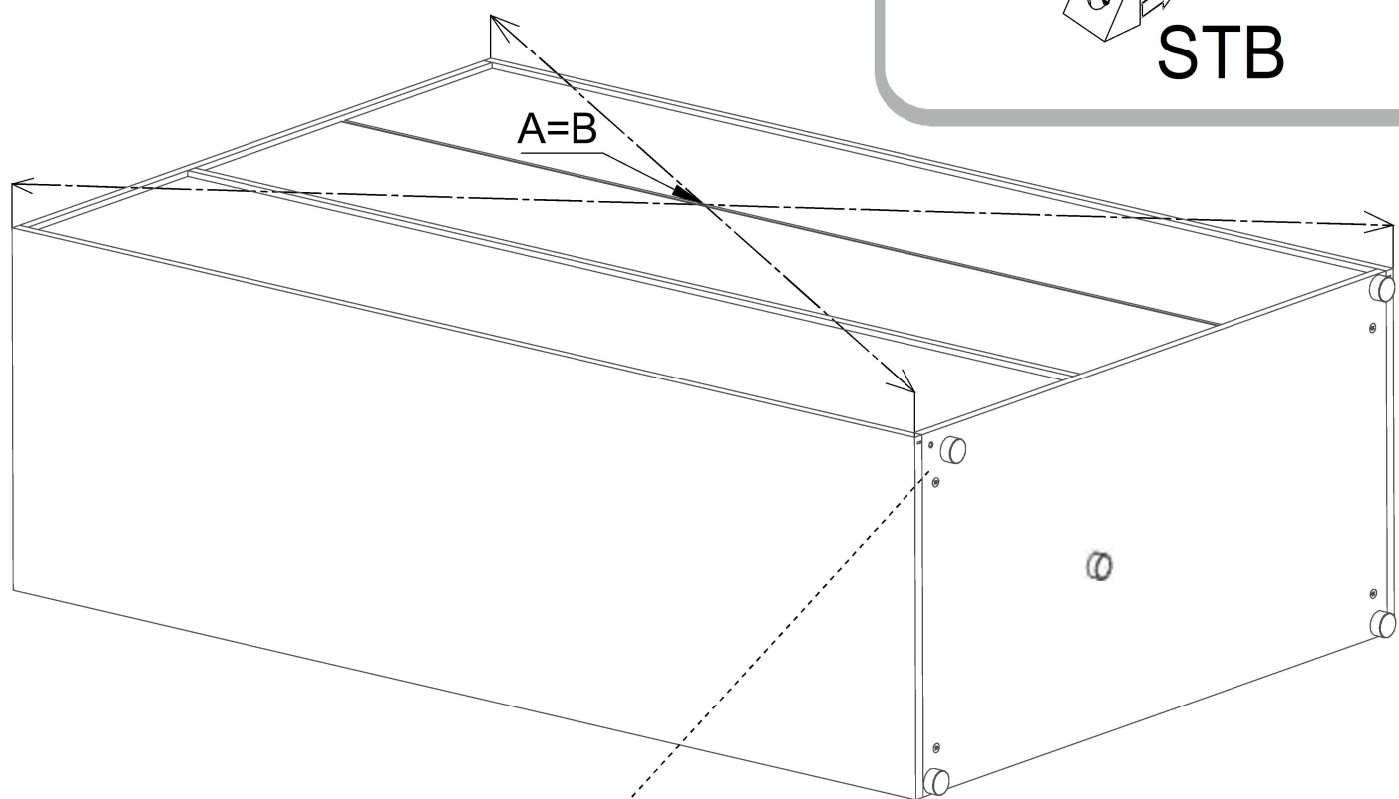
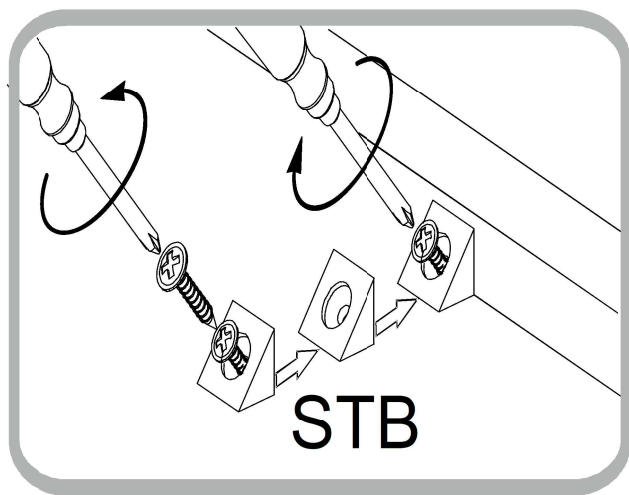
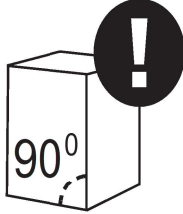
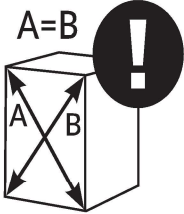











 STB	 SM
22	5



 M22 6	X  40	UM  6
--	---	---

