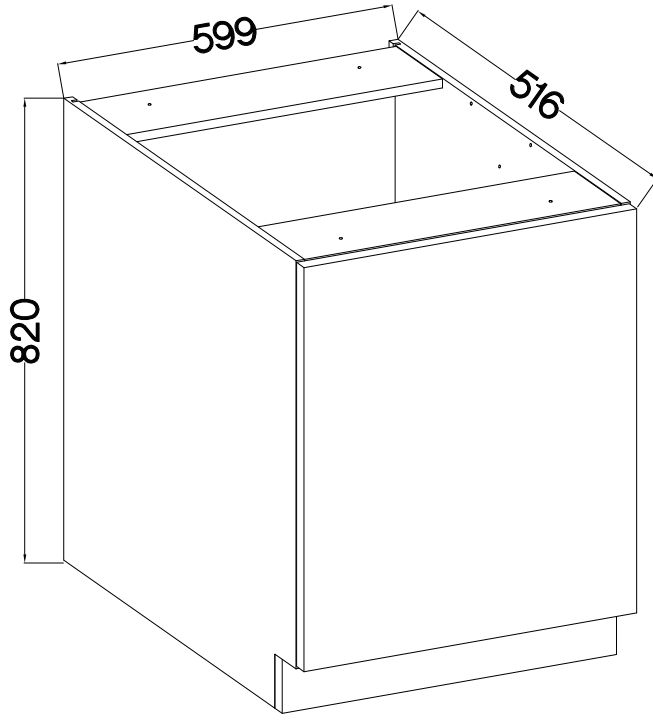
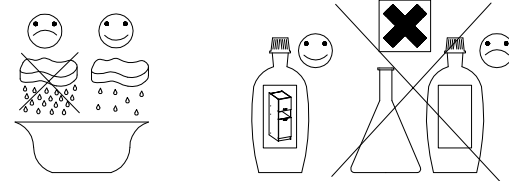
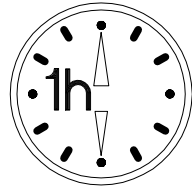


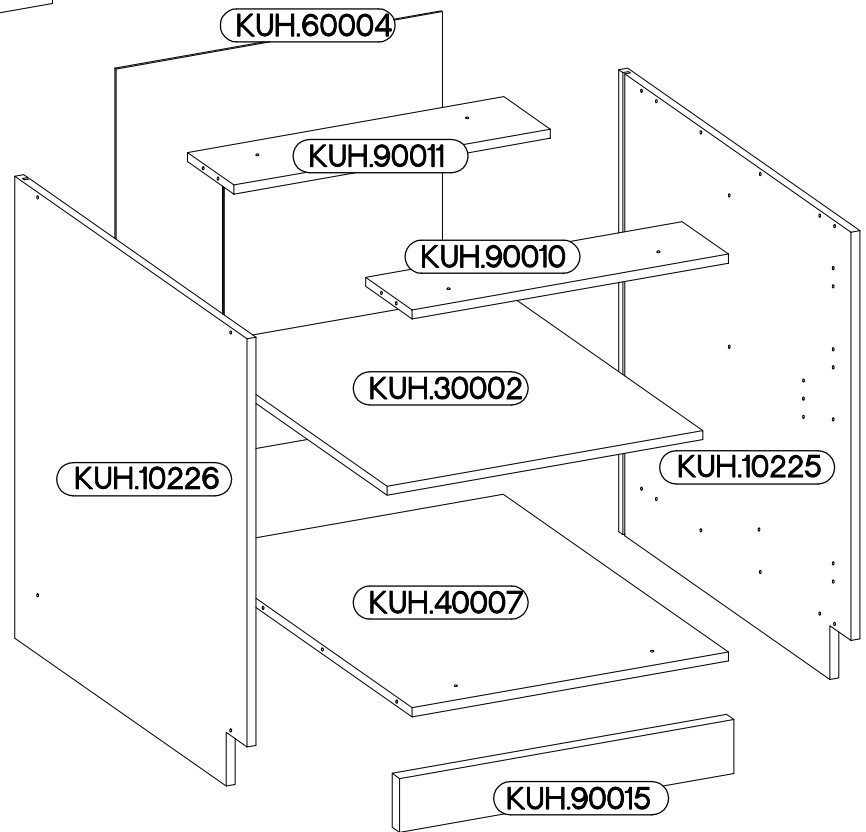
60 D 1F BB



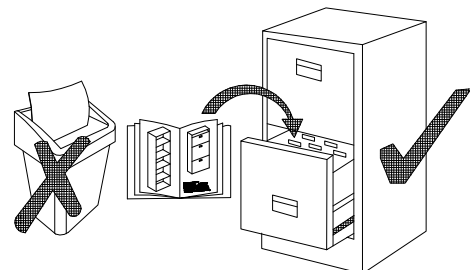
KUH.30002
KUH.40007



| Ersatzteil Nummer | Dimension |
|-------------------|-------------|
| KUH.10225 | 815x500x16 |
| KUH.10226 | 815x500x16 |
| KUH.30002 | 566x430x16 |
| KUH.40007 | 567x485x16 |
| KUH.60004 | 713x585x2,5 |
| KUH.90010 | 567x100x16 |
| KUH.90011 | 567x100x16 |
| KUH.90015 | 599x95x16 |

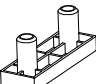
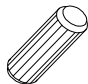


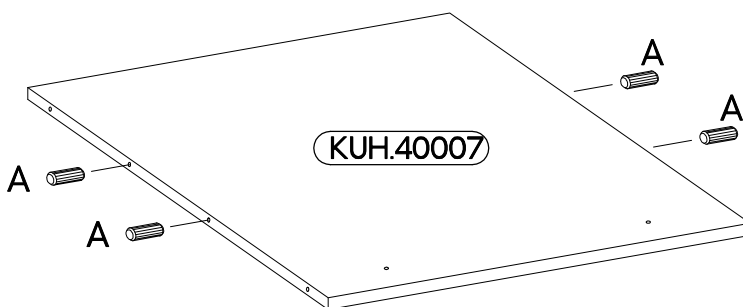
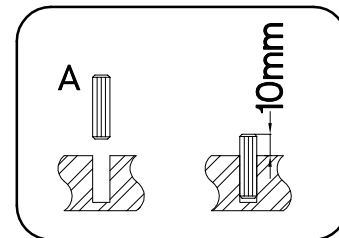
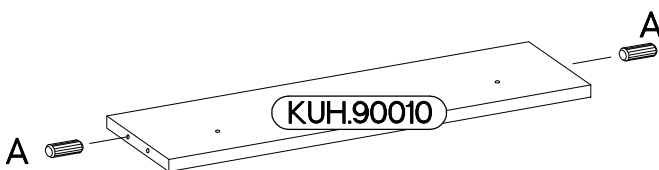
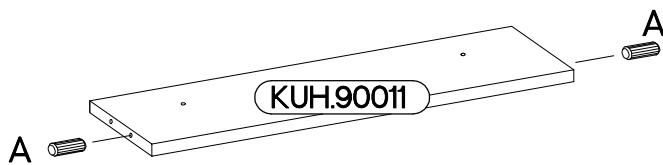
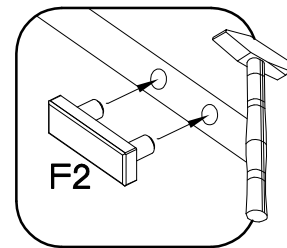
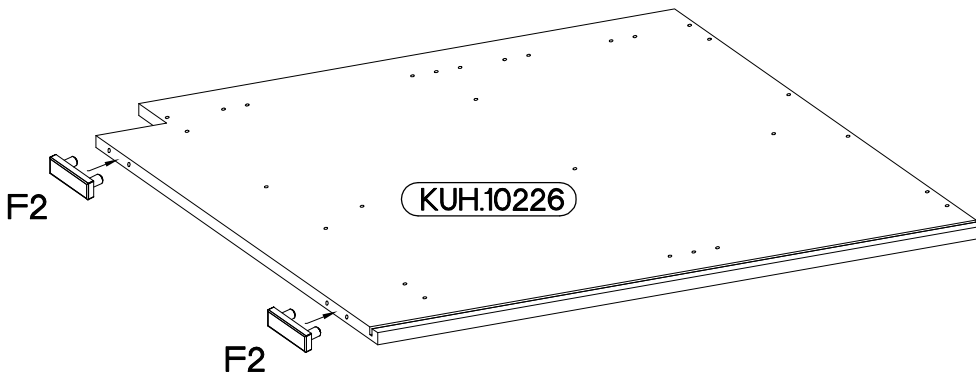
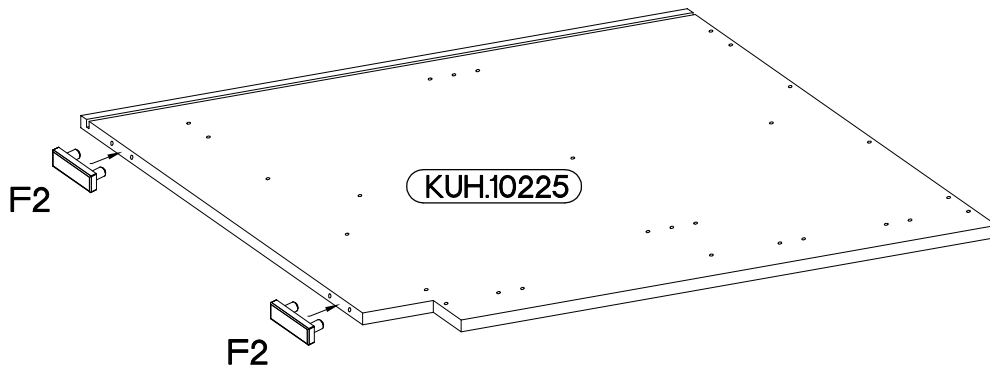
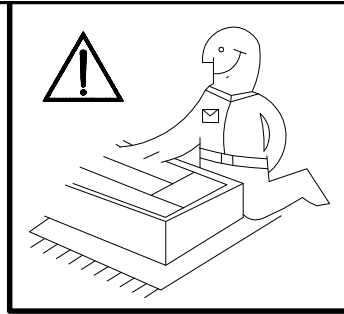
| | | | | | | |
|----------------|---------------|----------------|----------------|----------------|-------------------|----------------|
| A 8 | B 8 | E1 8 | E9 2 | F2 4 | | |
| HG 2 | J 4 | O 1 | P4 2 | P5 4 | P7 8-10 | R3 4 |
| ±8x30mm | 6,4 x 50mm | | | 6.5x48x16 | | |
| ±35/0mm | ±5/19mm | | ±4.0x45mm | ±3.5x13mm | ±3.0x20mm | ±4.0x35mm |




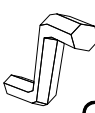

ISM-KUH-01127

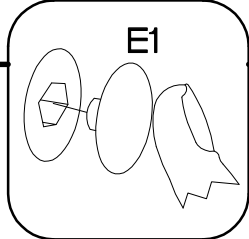
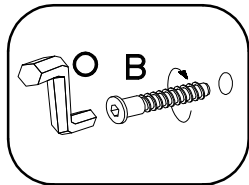
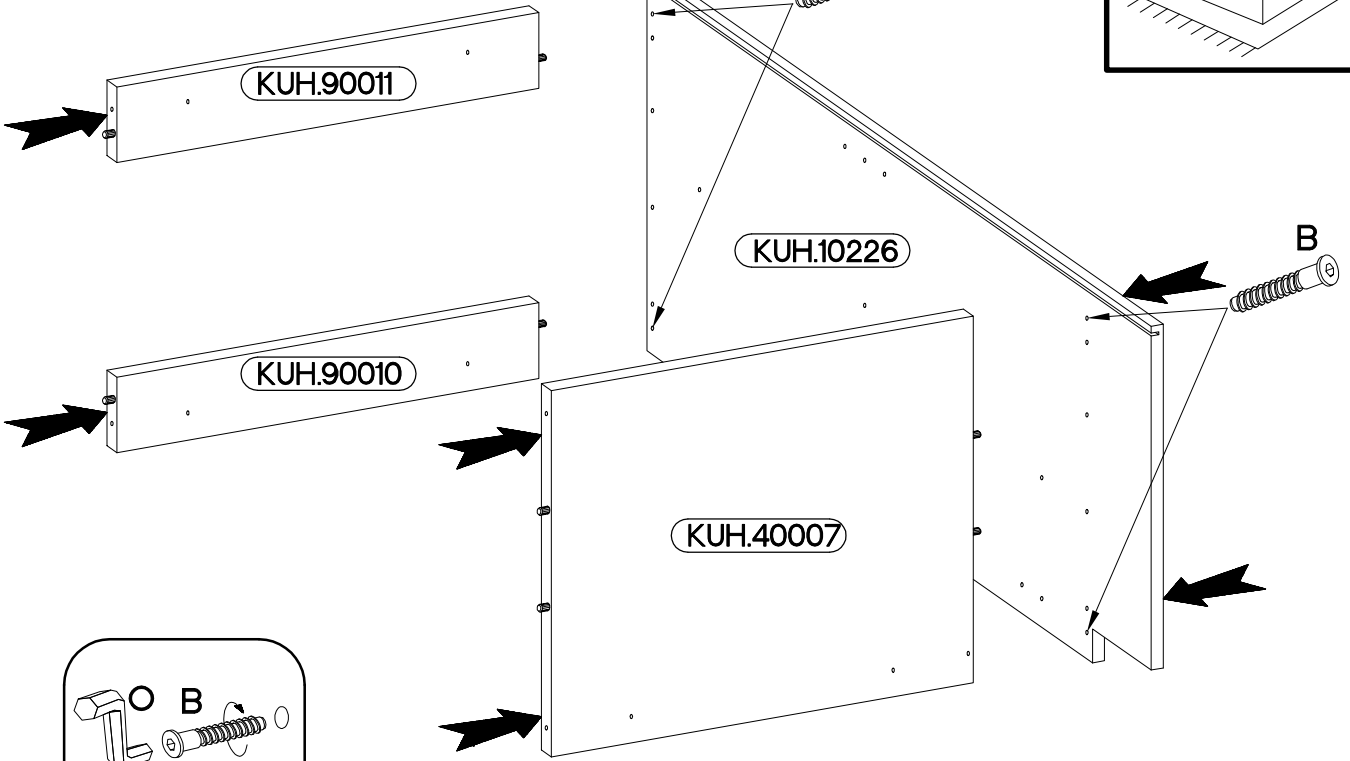
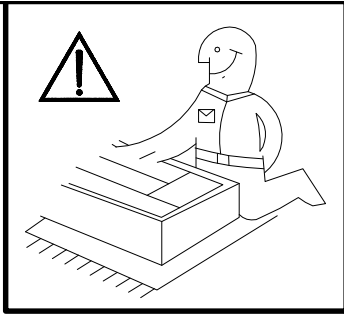
1

| | |
|--|---|
| 6.5x48x16  F2 4 | +8x30mm  A 8 |
|--|---|

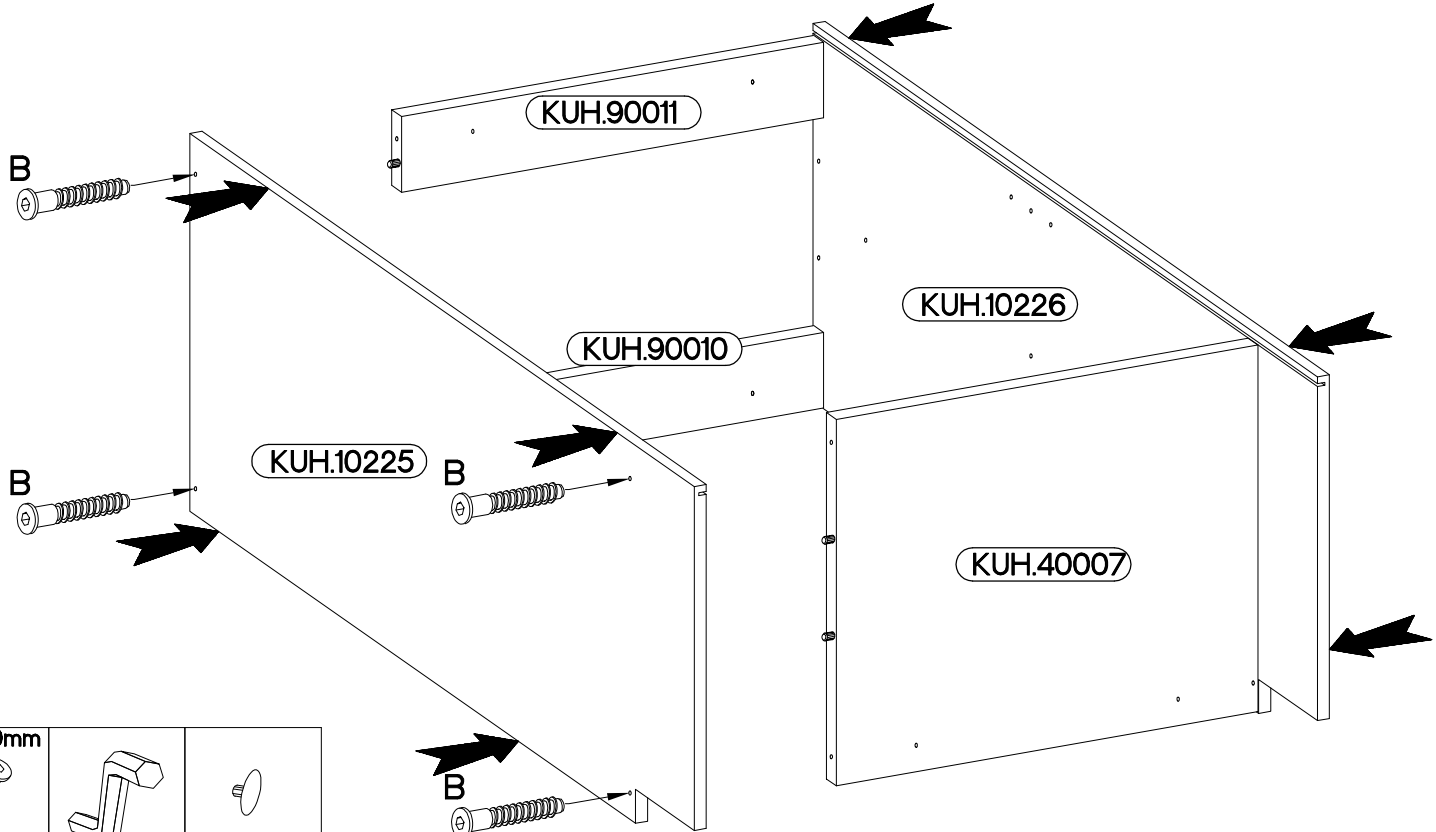


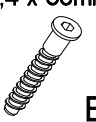
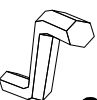

2

| | | |
|--|--|--|
| 6,4 x 50mm | | |
|  |  |  |
| B | O | E1 |
| 4 | 1 | 4 |

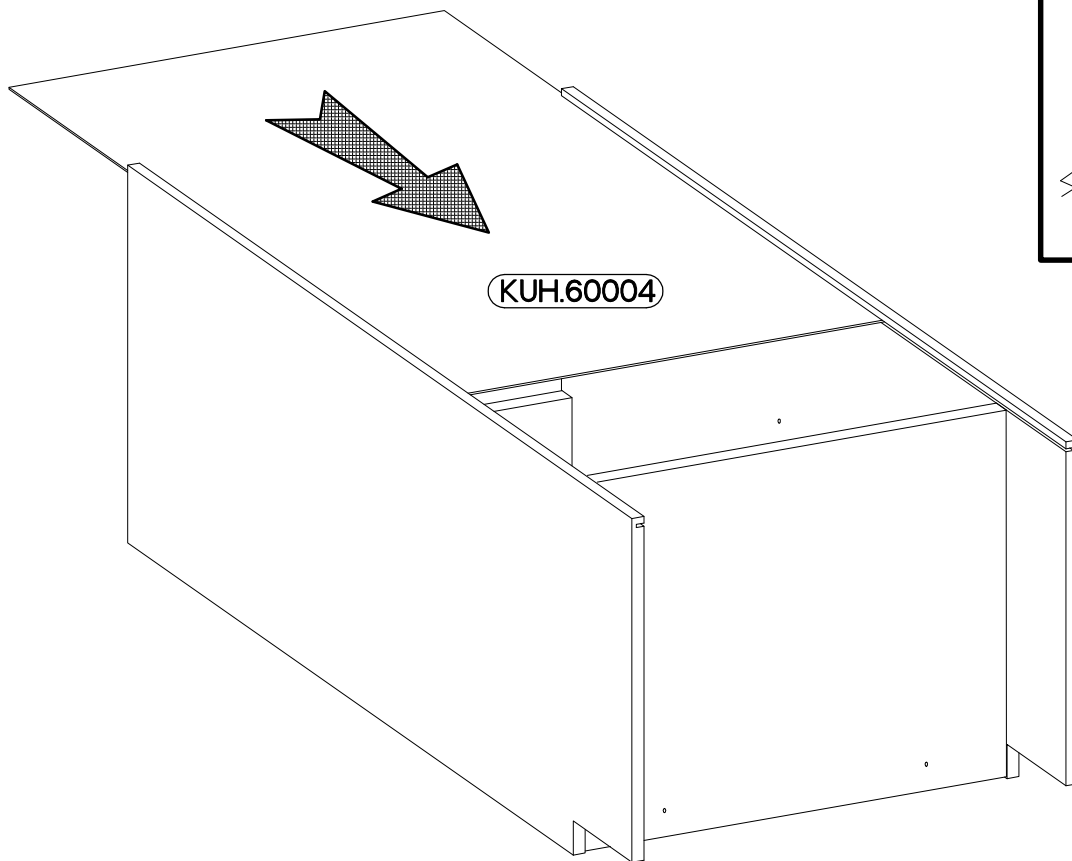


3




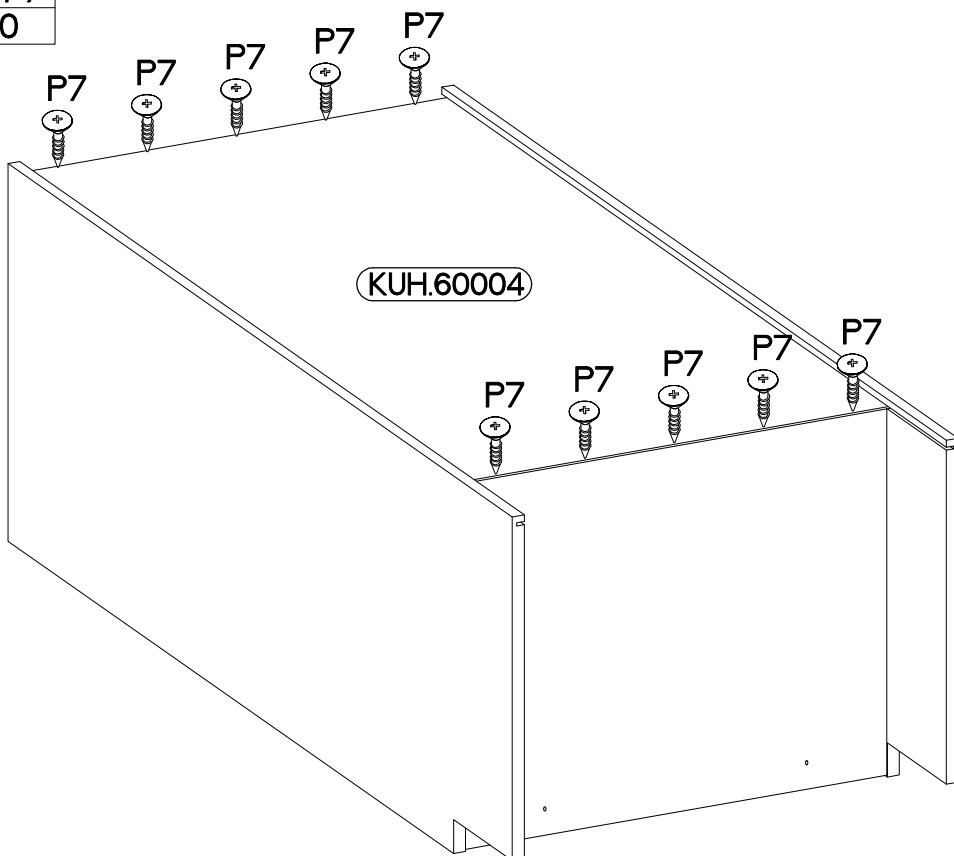
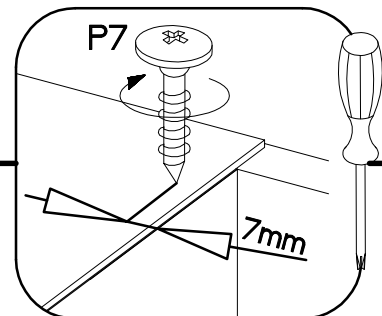
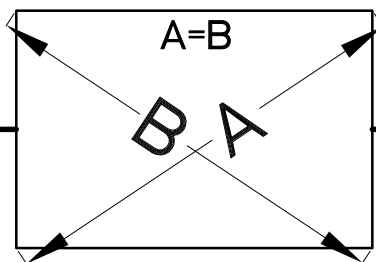
| | | |
|--|---|---|
| 6,4 x 50mm | | |
|  |  |  |
| B | O | E1 |
| 4 | 1 | 4 |

4





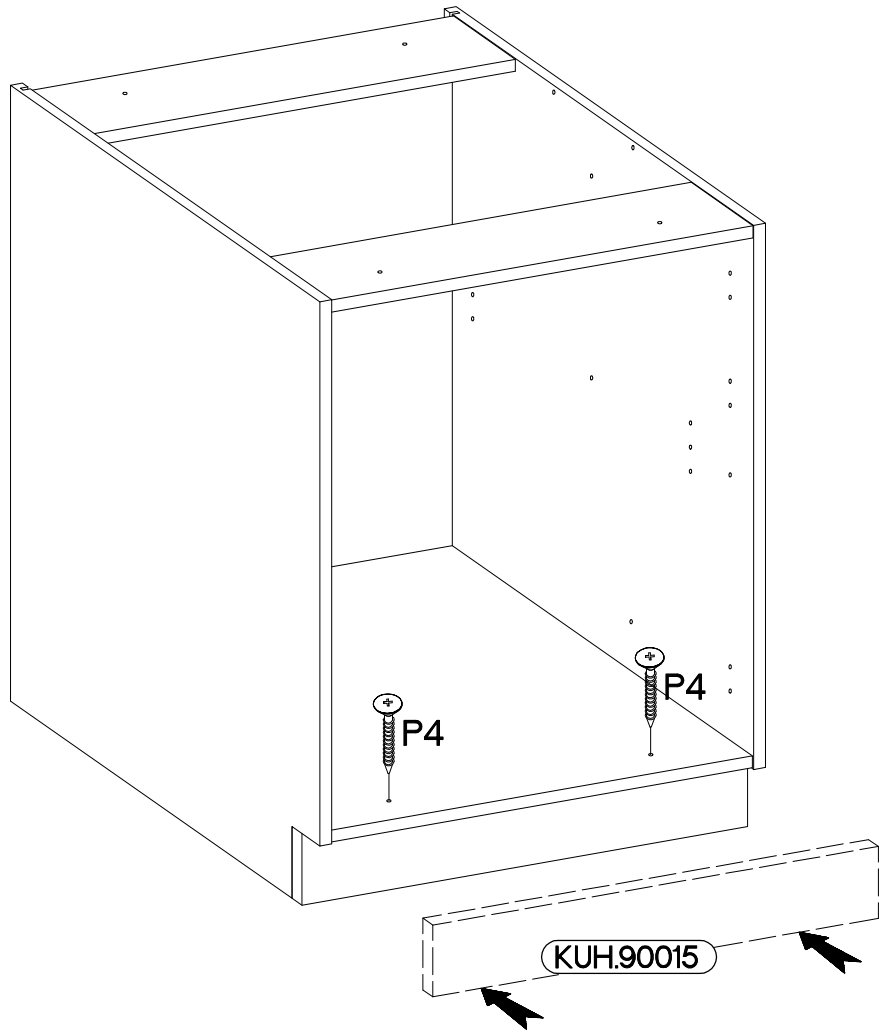
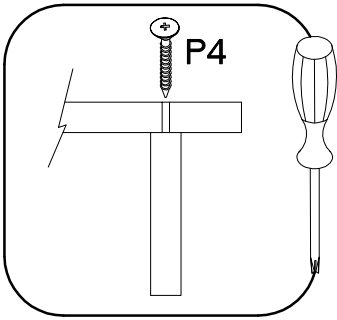
5

±3.0x20mm

 P7
 8-10




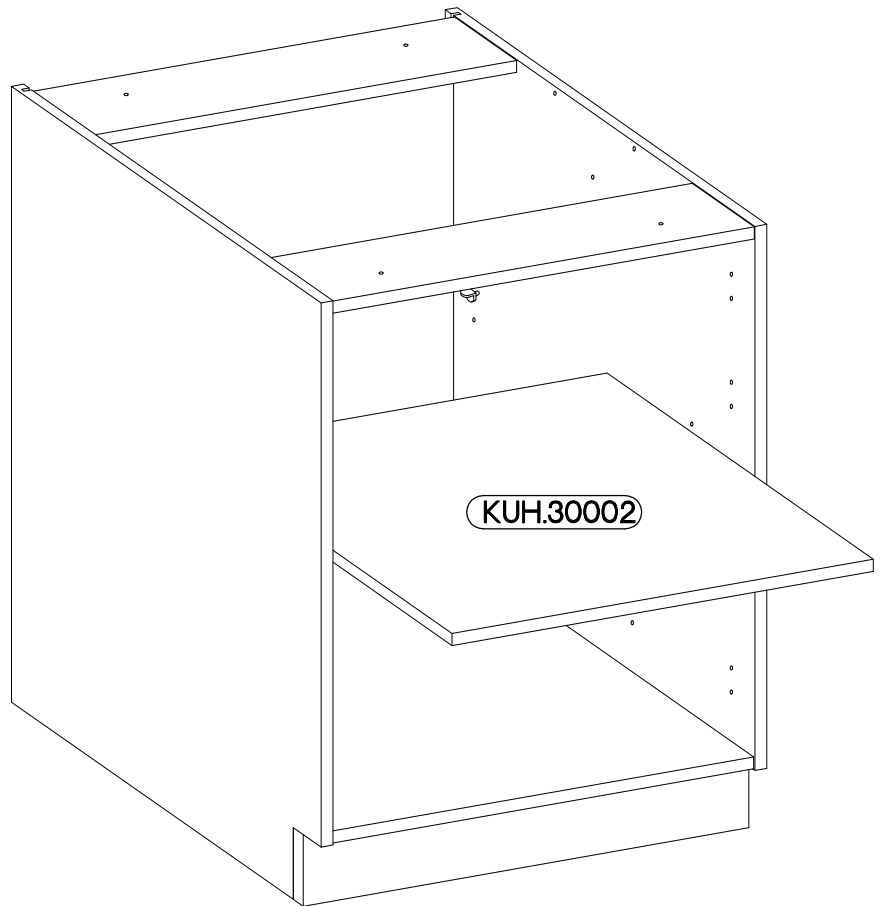
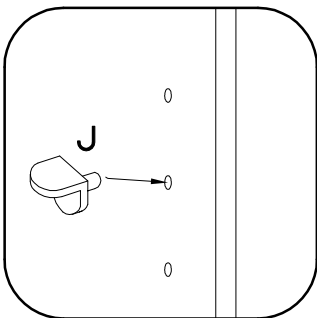
6

| | |
|--|--|
| +4.0x45mm | |
|  |  |
| P4 | E9 |
| 2 | 2 |



7

| |
|---|
| +5/19mm |
|  |
| J |
| 4 |



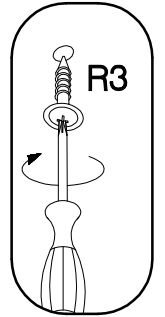
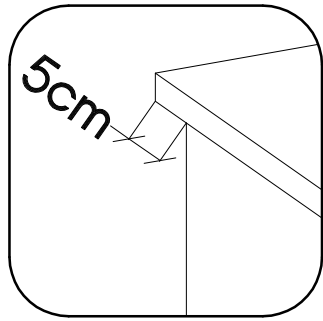
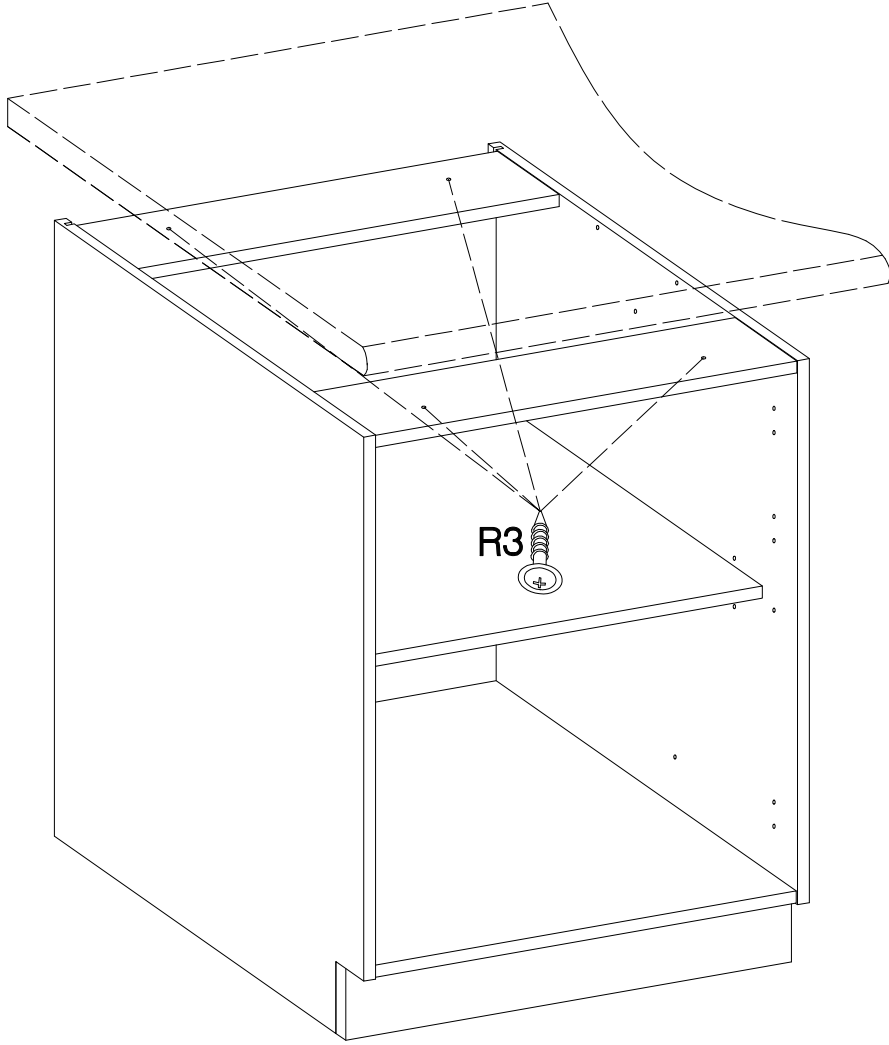
8

4.0x35mm



R3

4



9

FRONT

