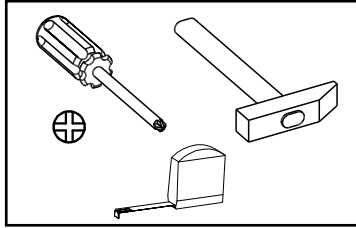
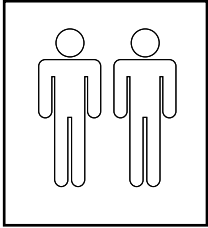
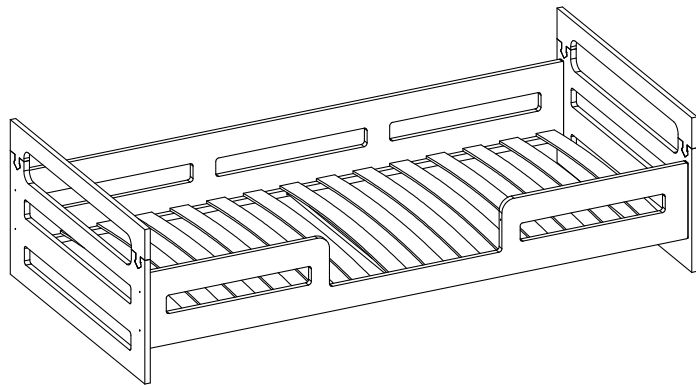


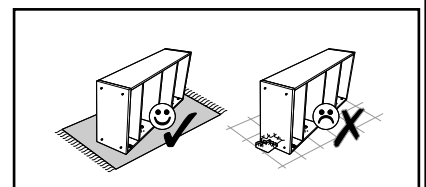
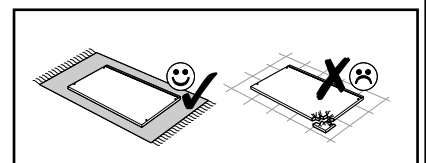
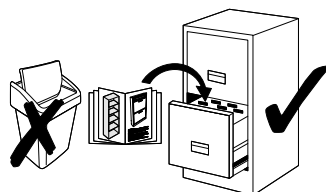
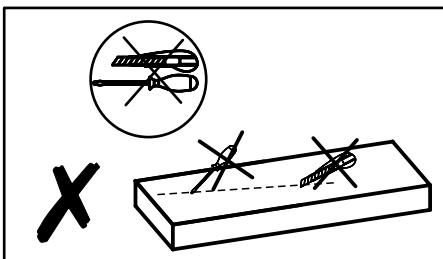
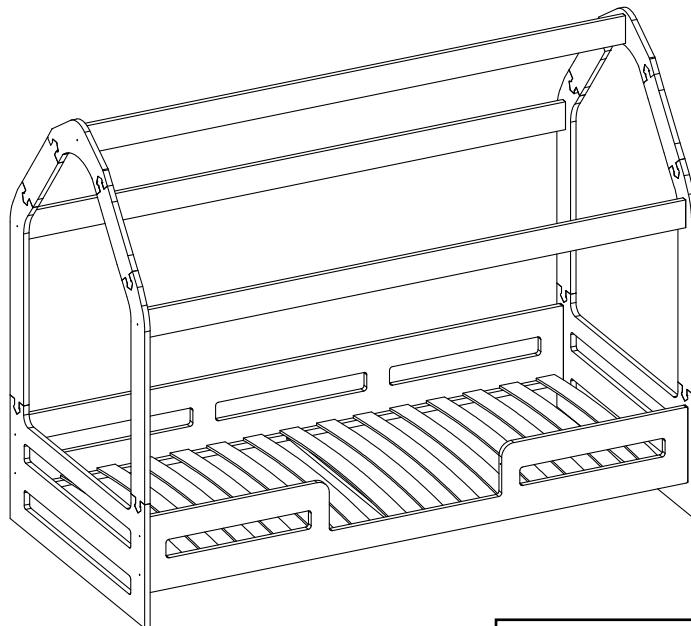
# LEO

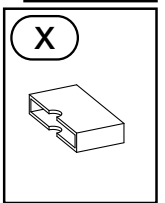
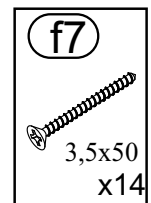
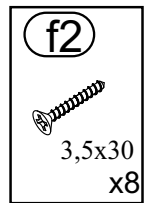
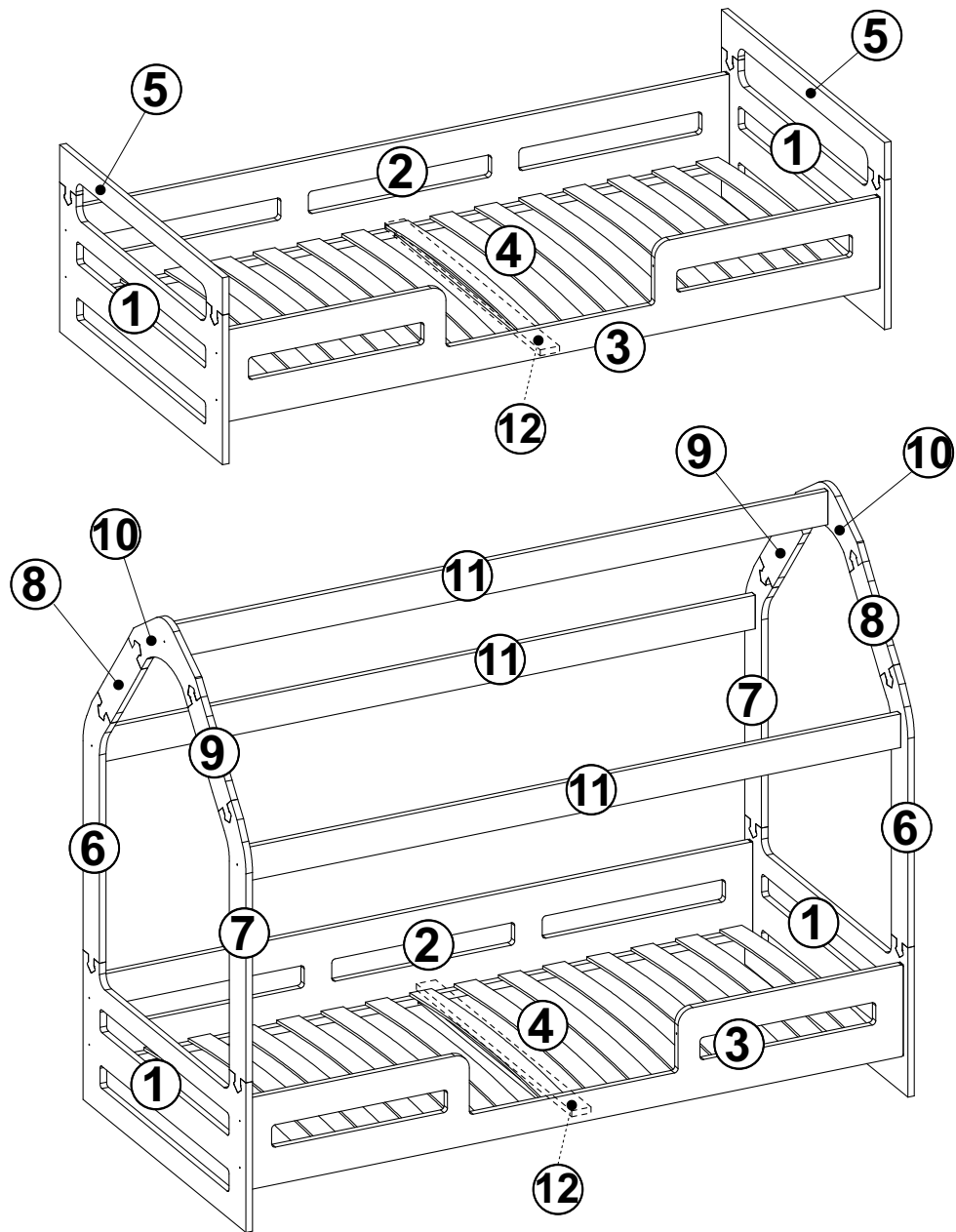


Version A

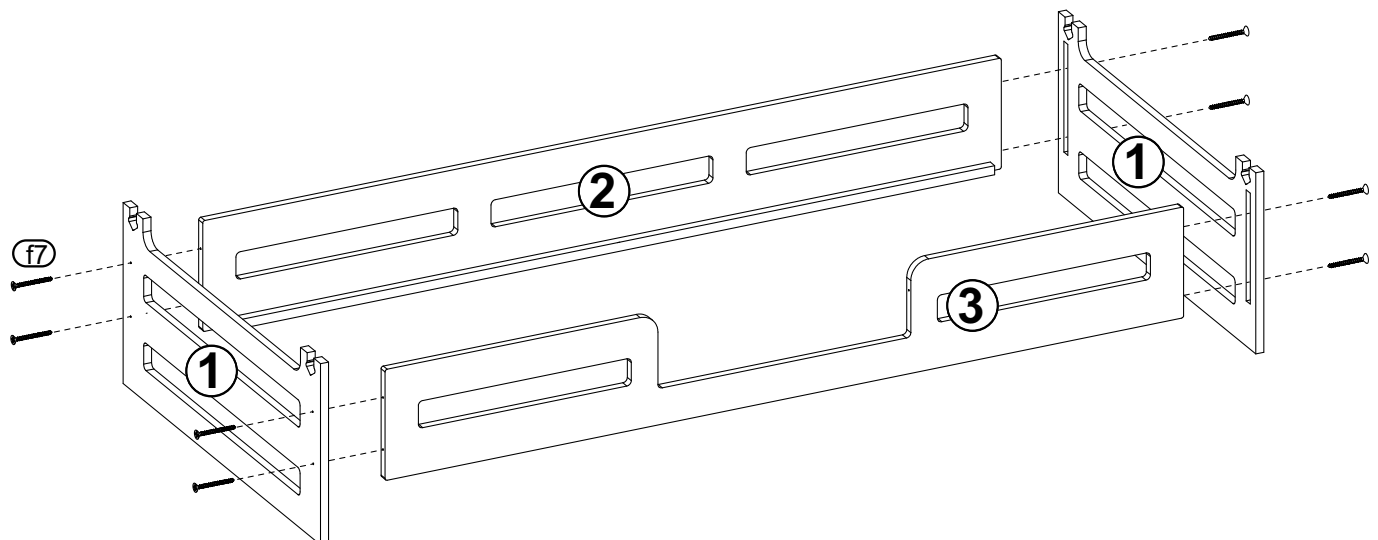
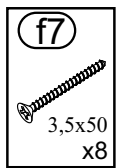


Version B

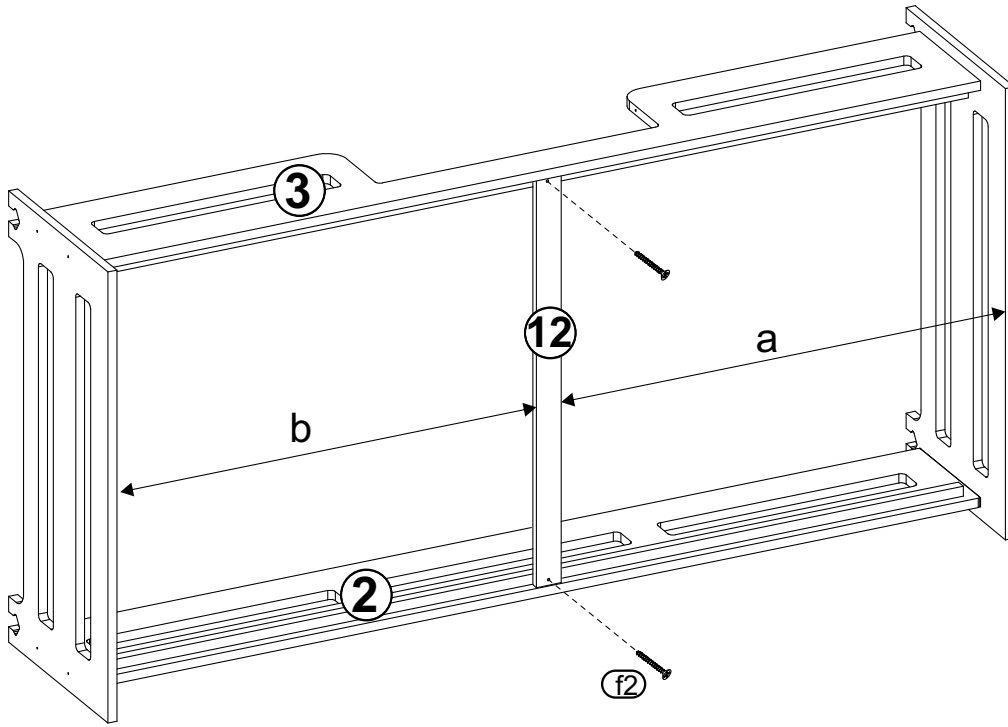
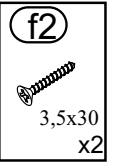




1



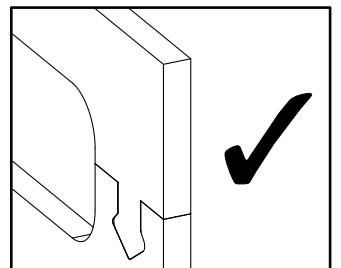
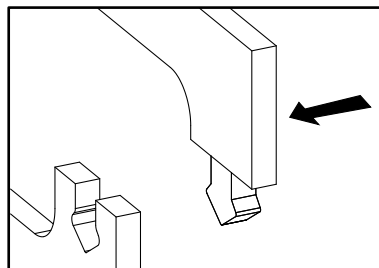
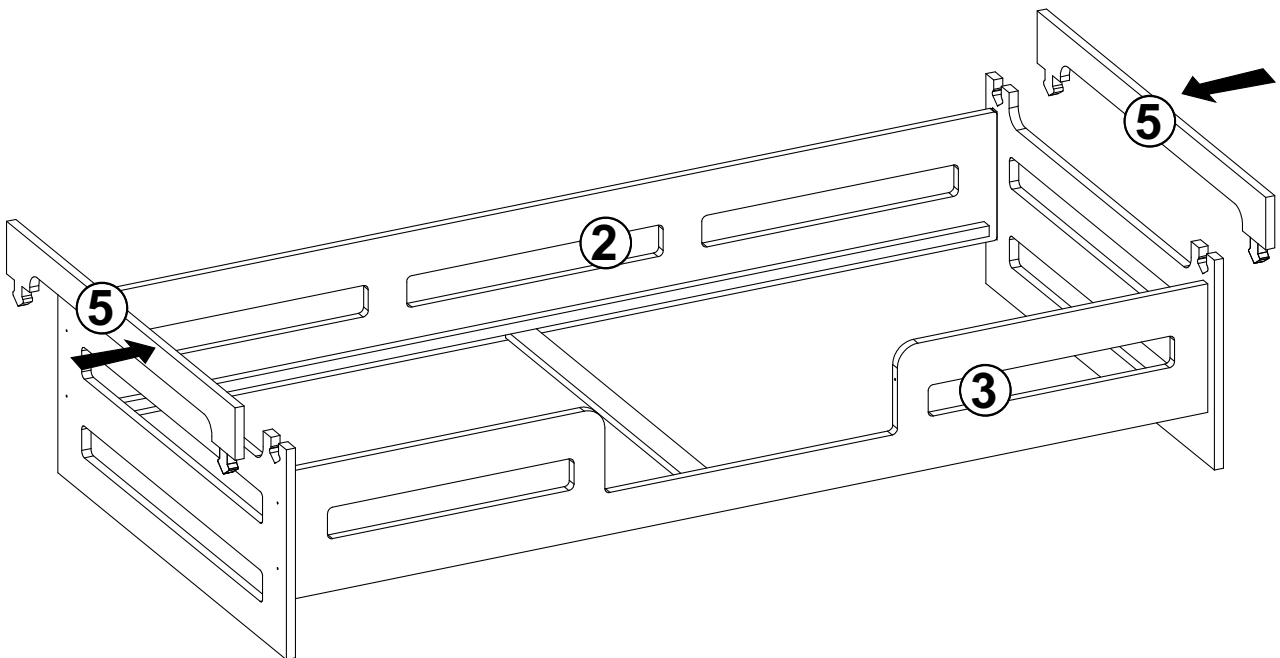
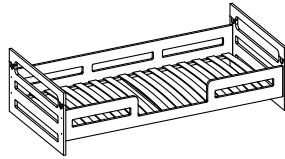
# 2



$a=b$

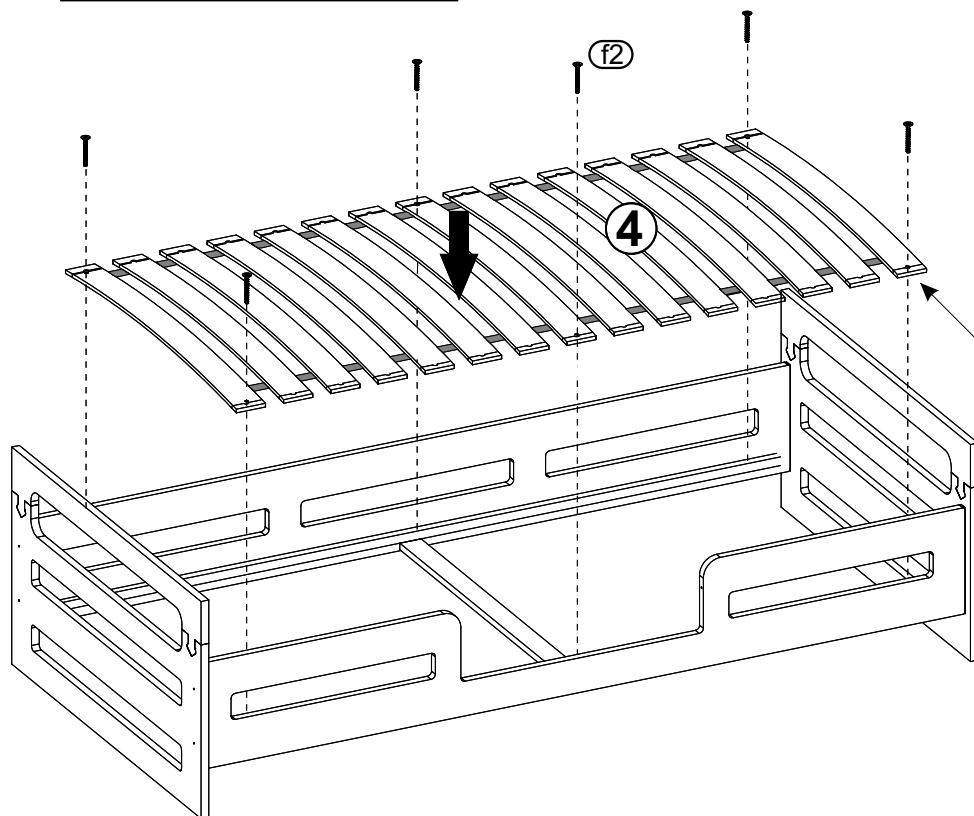
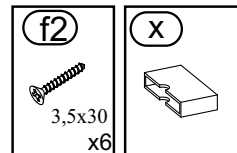
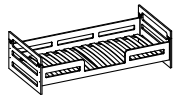
# 3

Version A

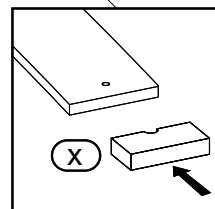


# 4

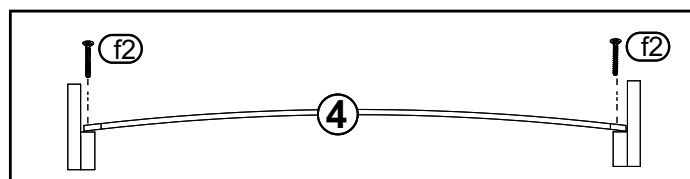
## Version A



1.

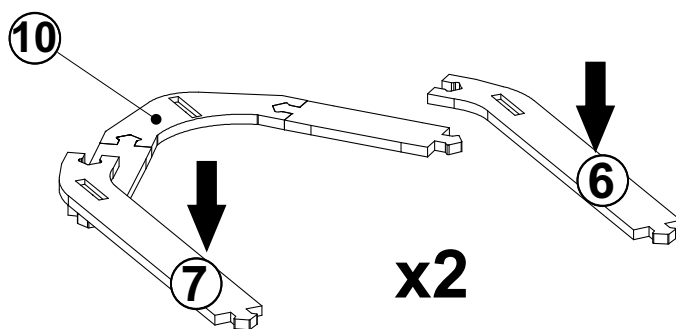
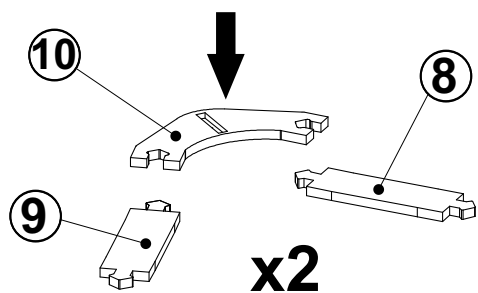
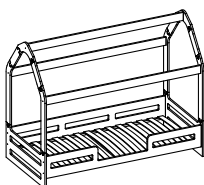


2.



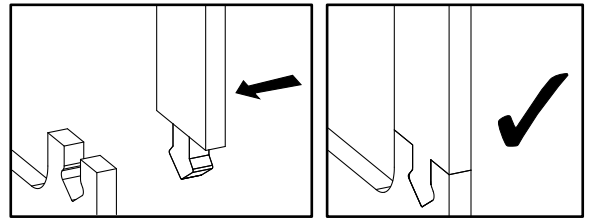
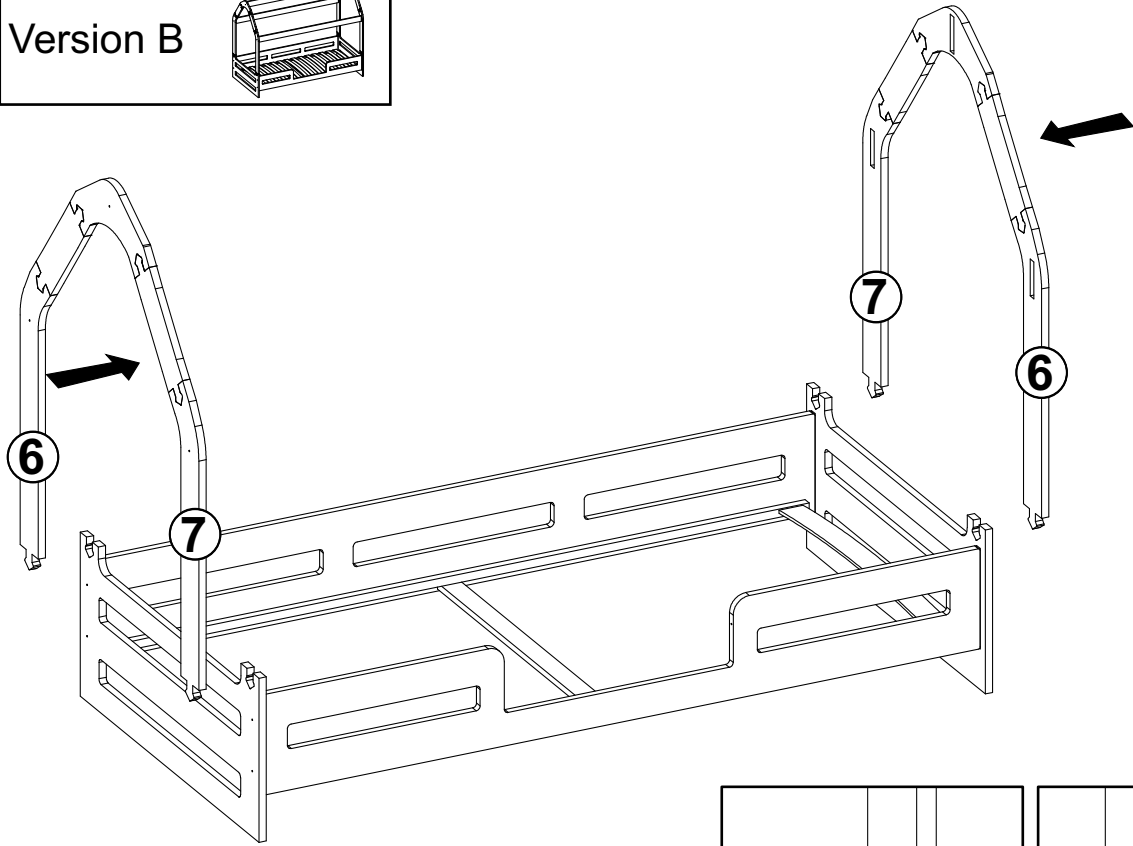
# 5

## Version B



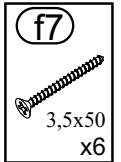
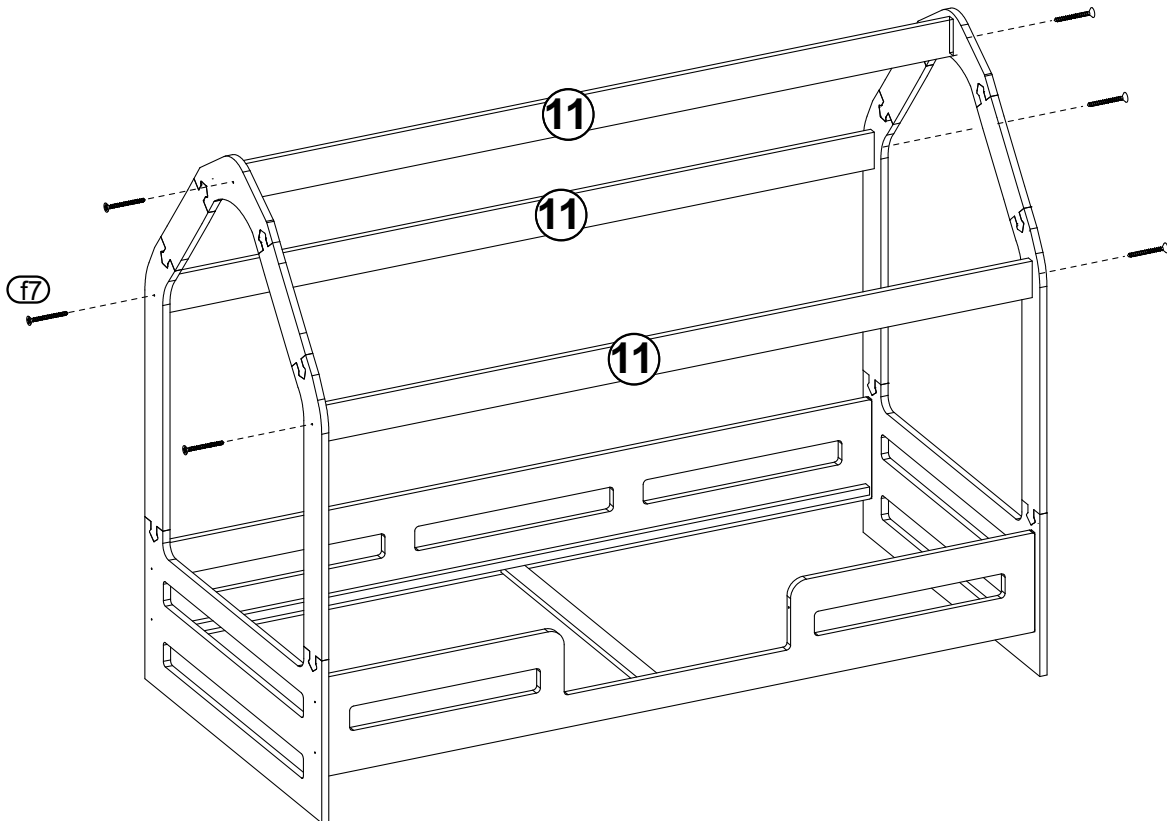
# 6

Version B



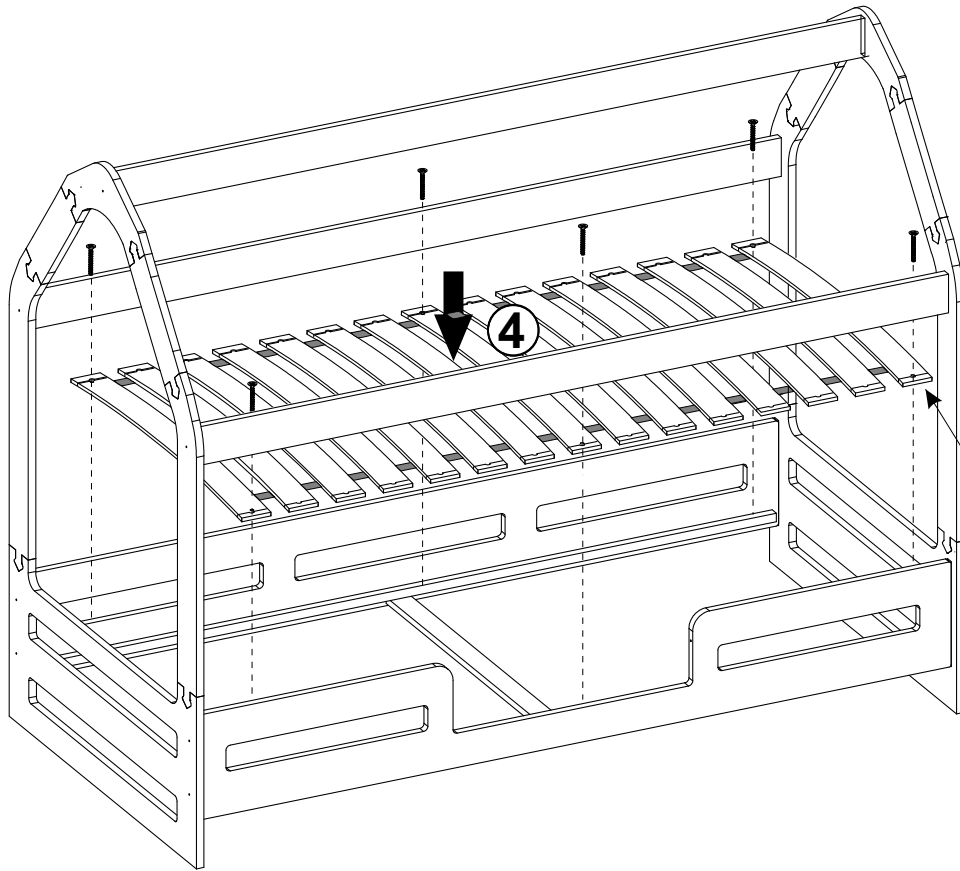
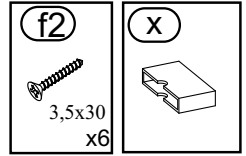
# 7

Version B

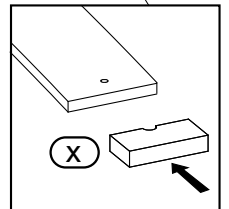


# 8

Version B



1.



2.

