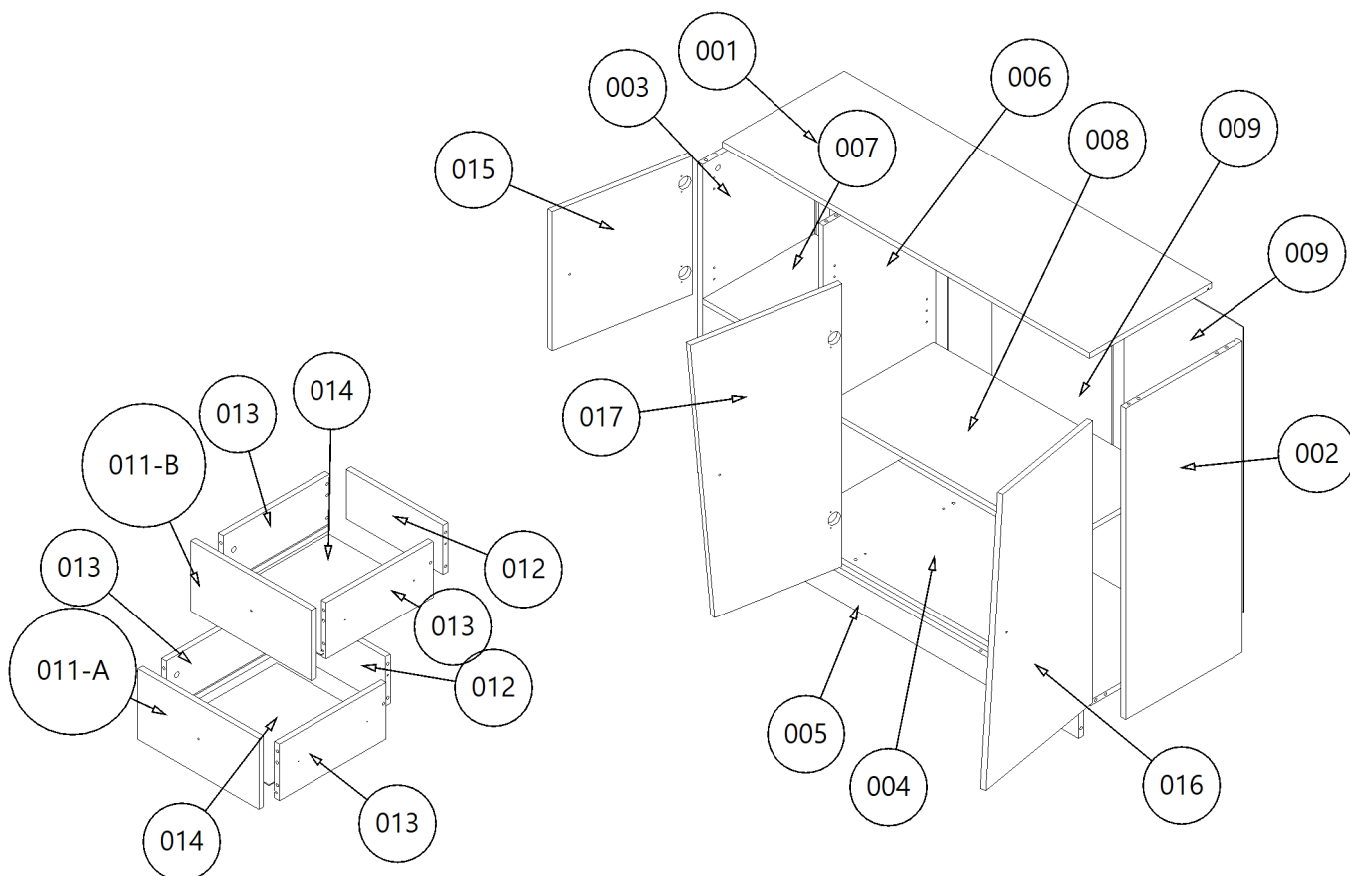
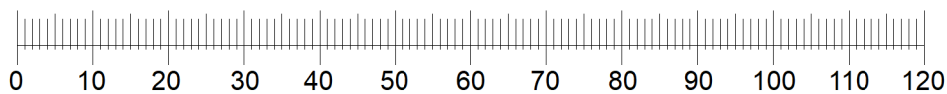
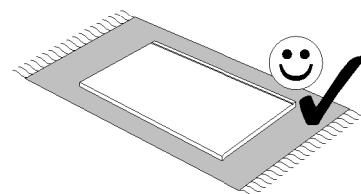
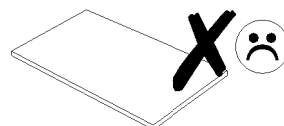
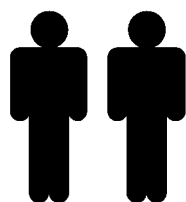
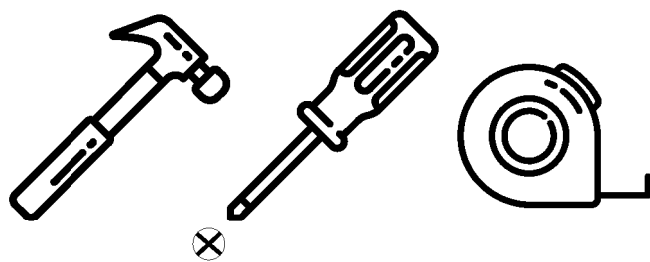
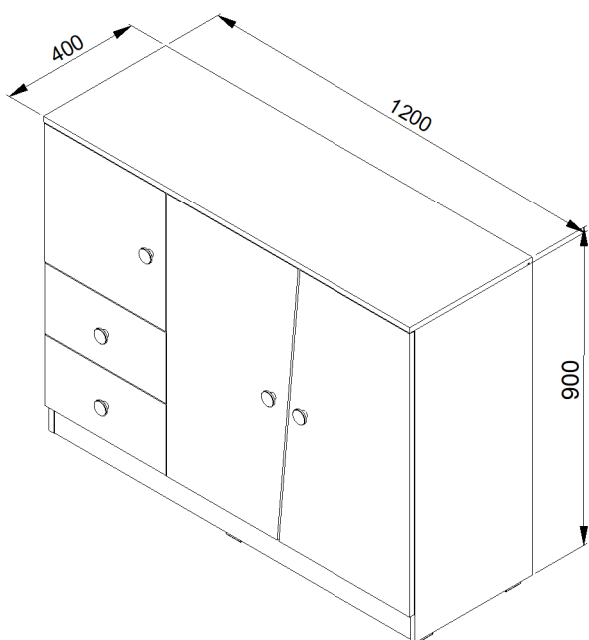
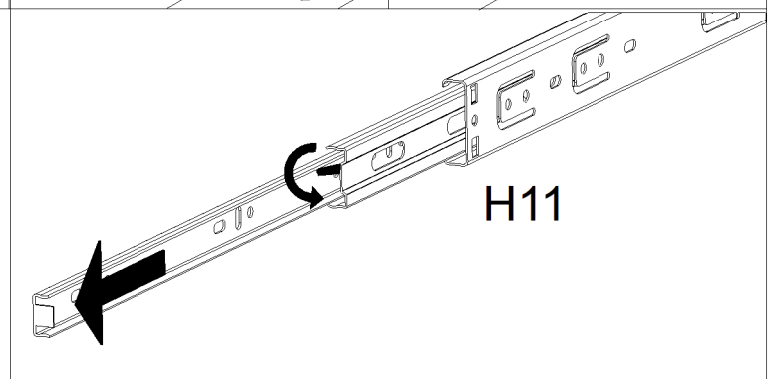
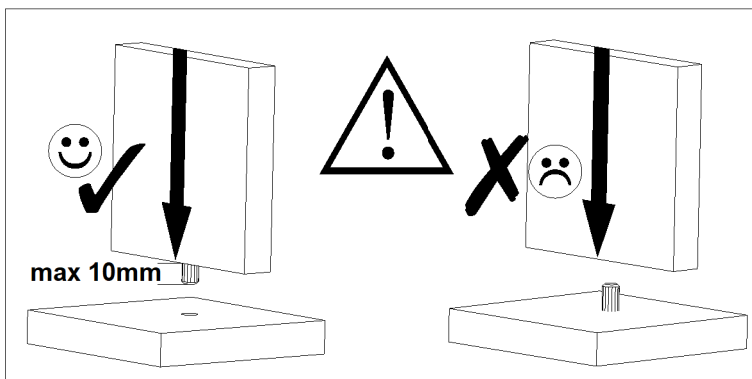
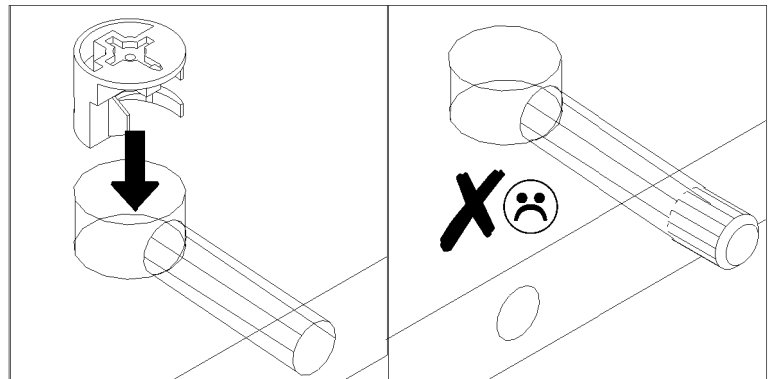
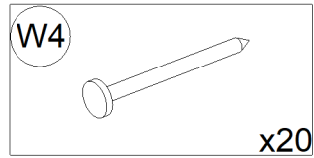
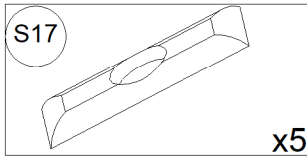
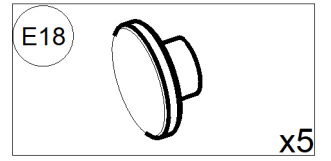
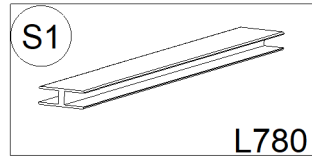
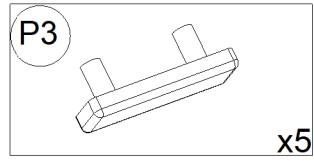
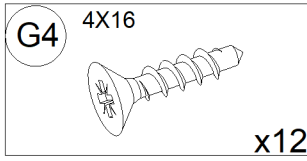
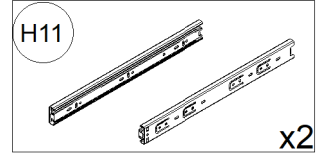
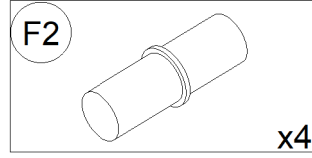
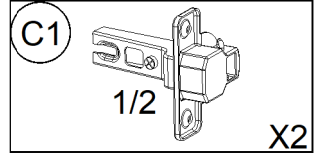
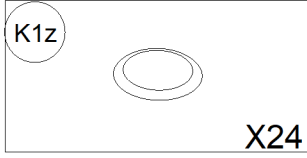
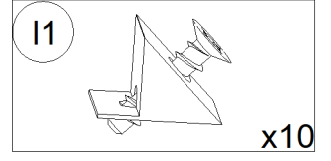
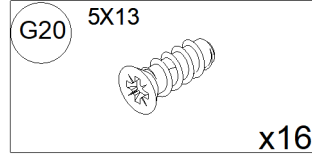
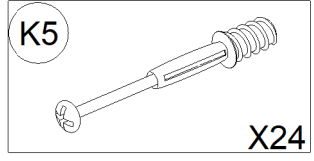
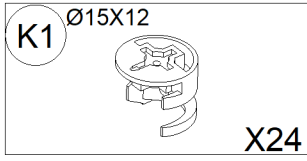
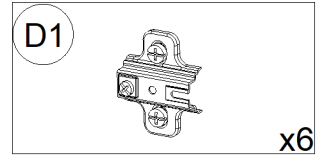
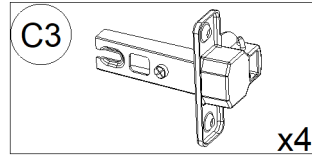
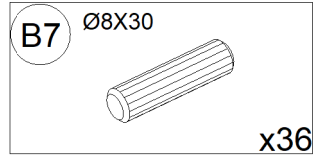
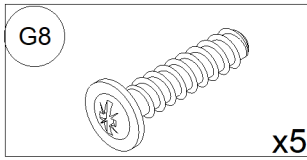


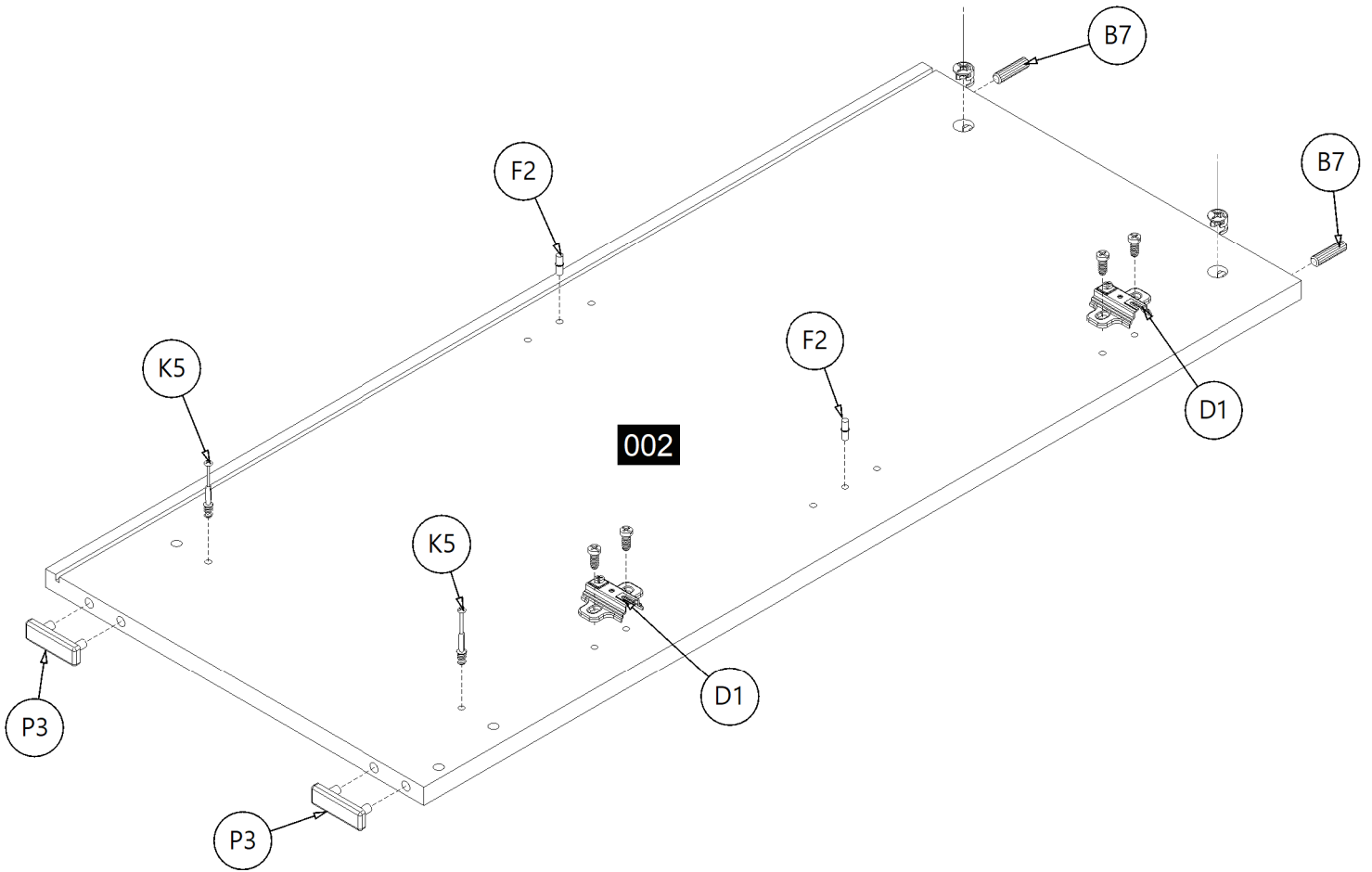
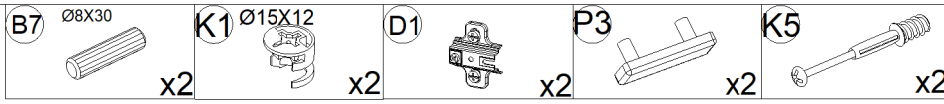
NERO 07

KOMODA 120

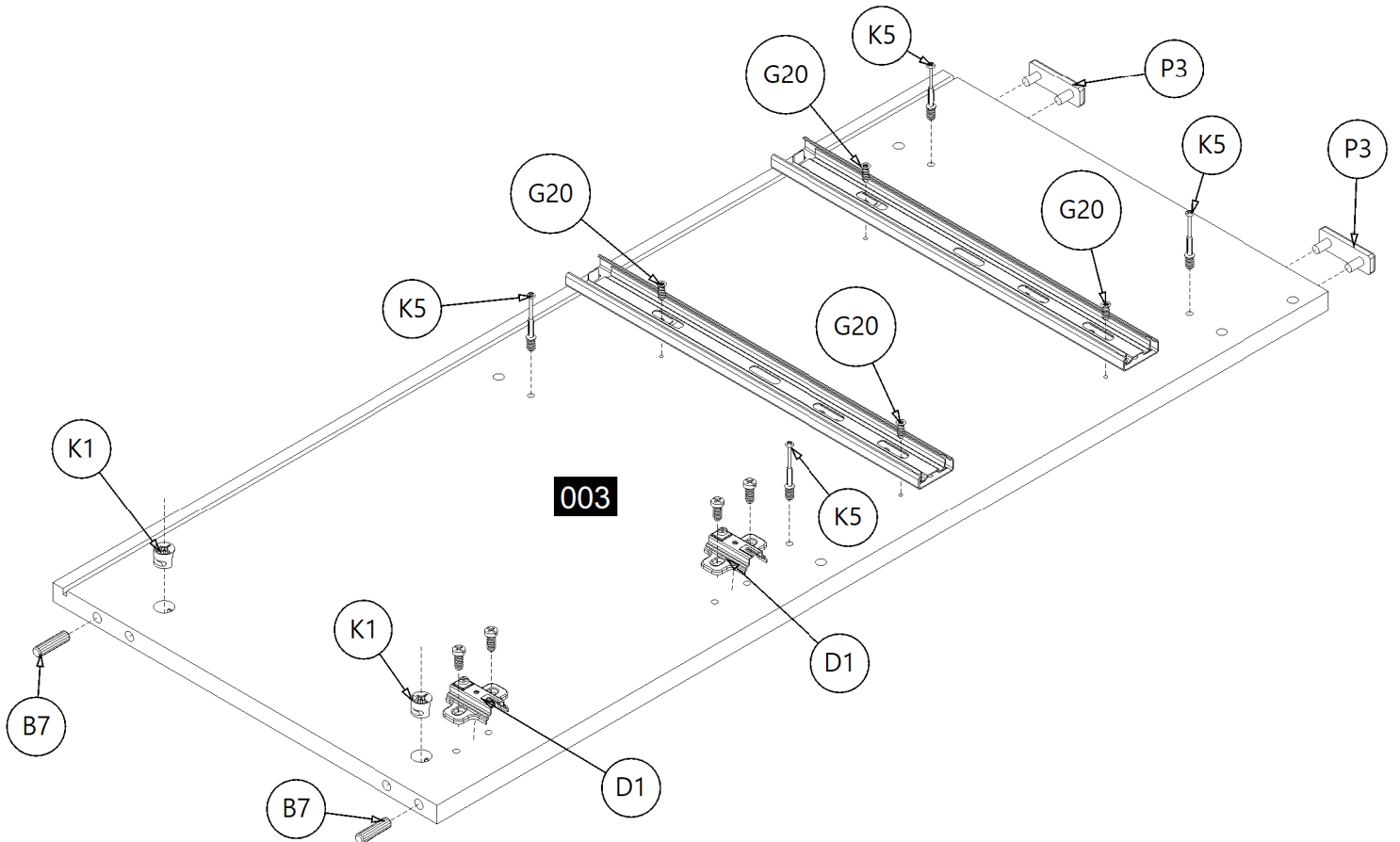
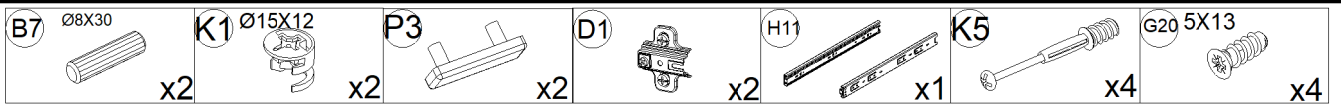




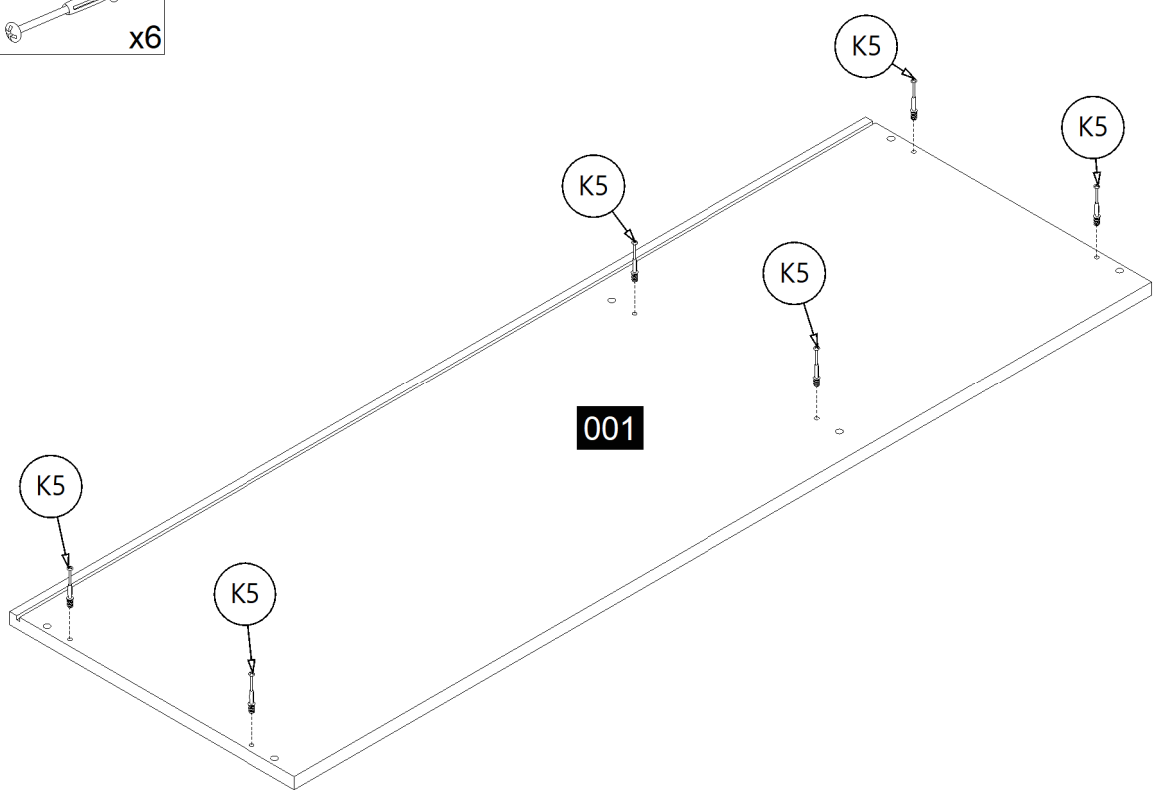
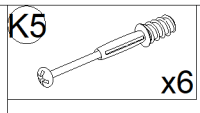
01



02

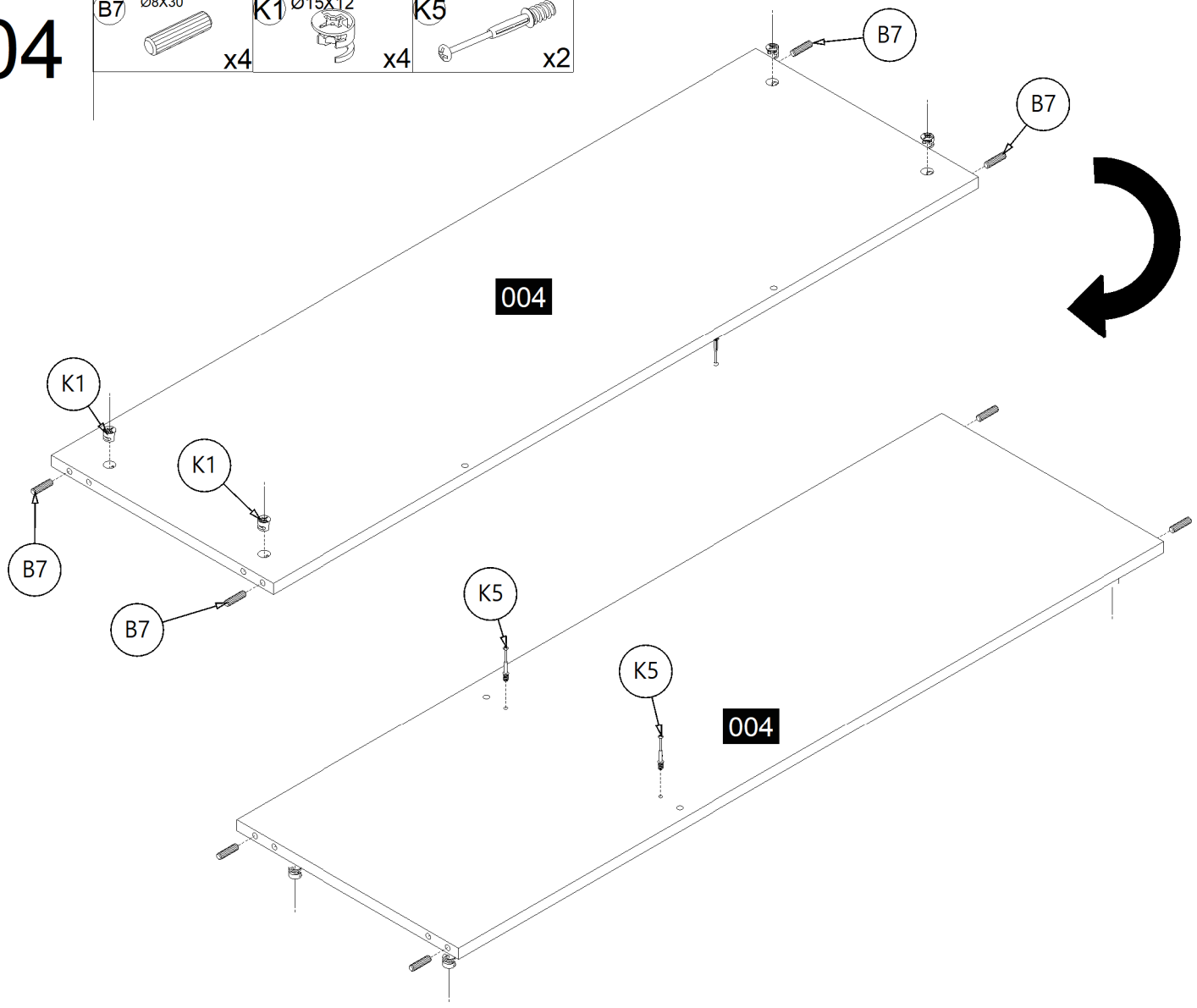
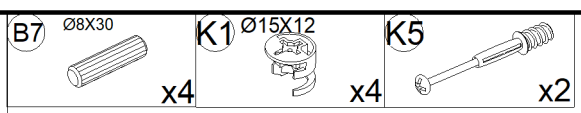


03



001

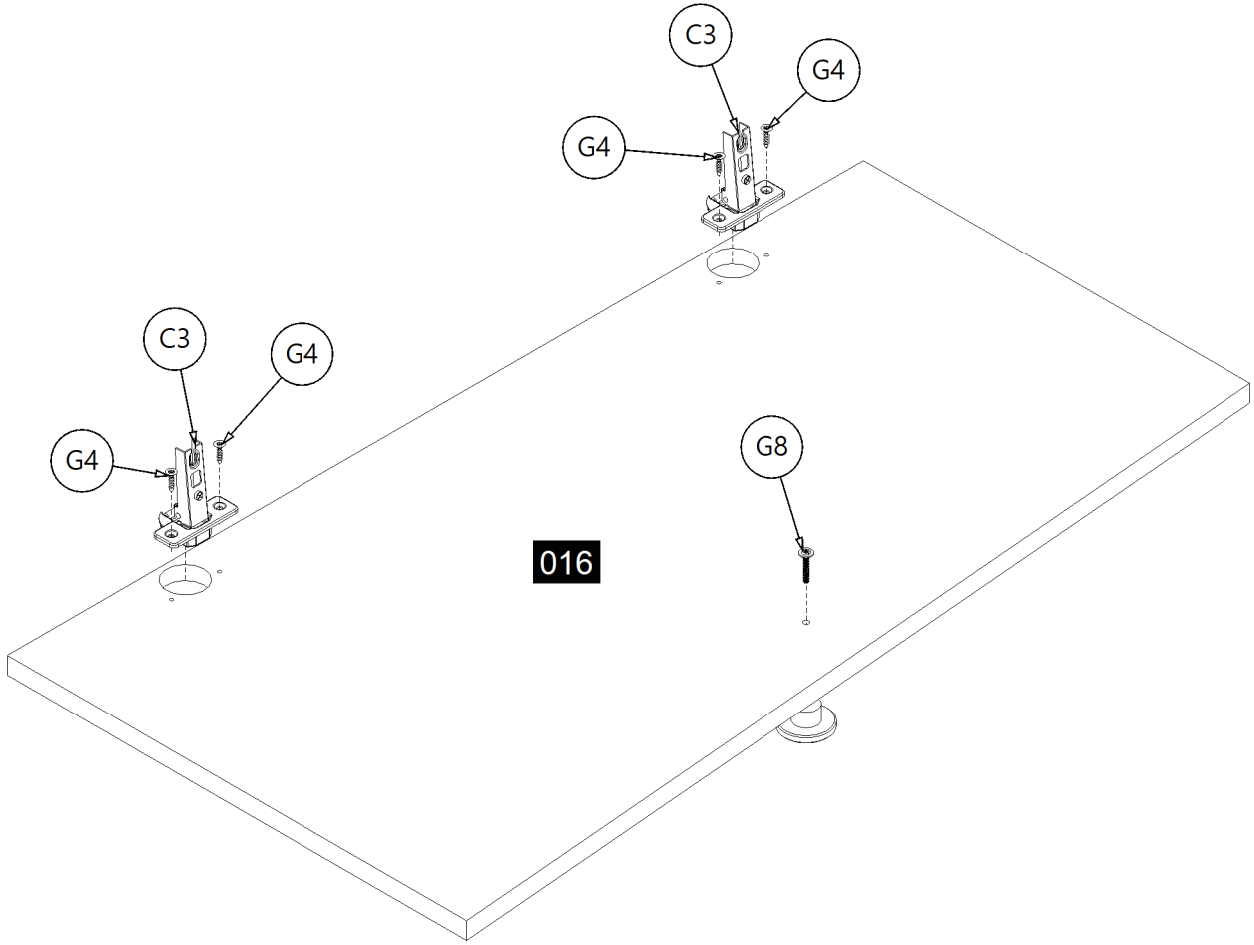
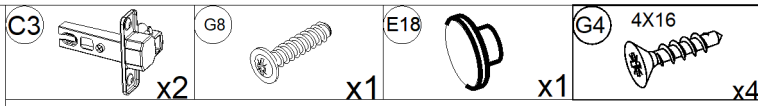
04



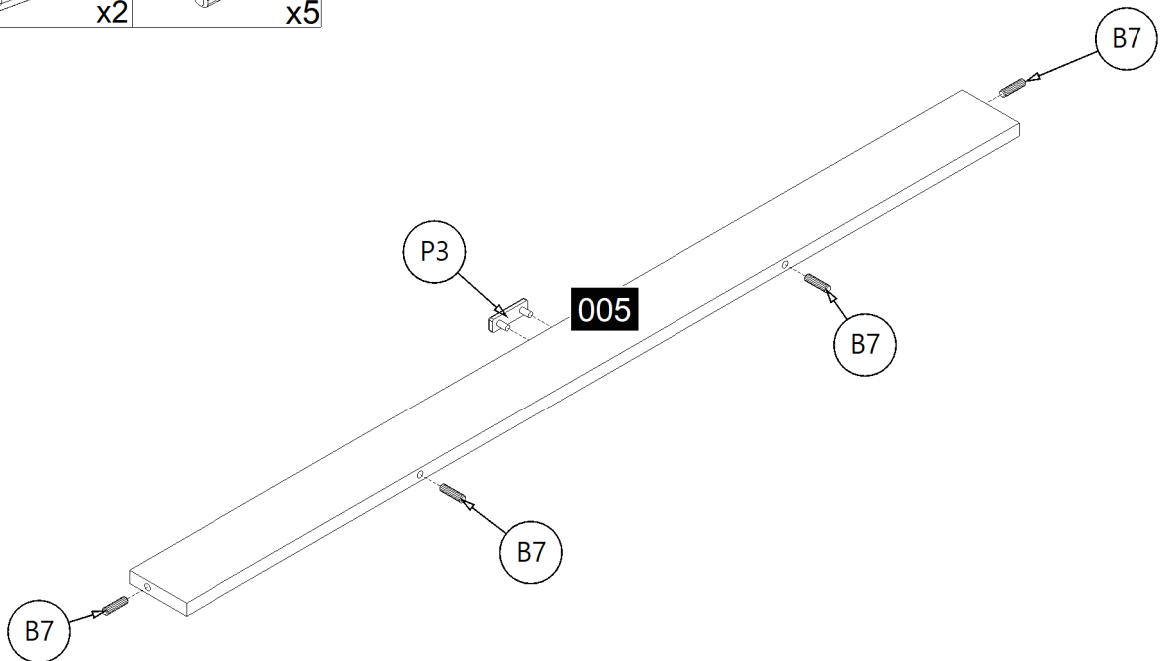
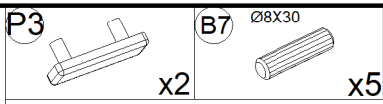
004

004

05

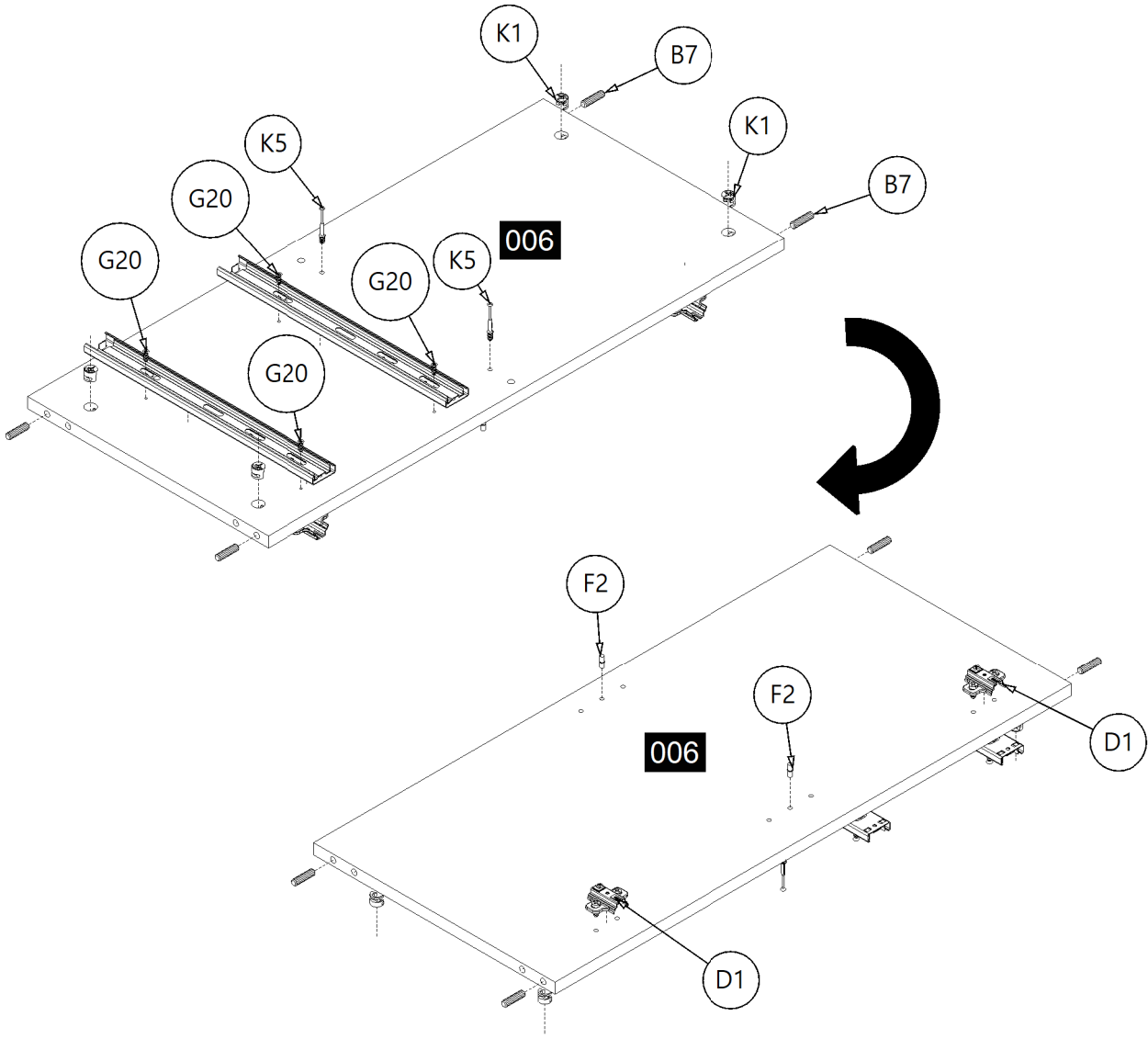


06



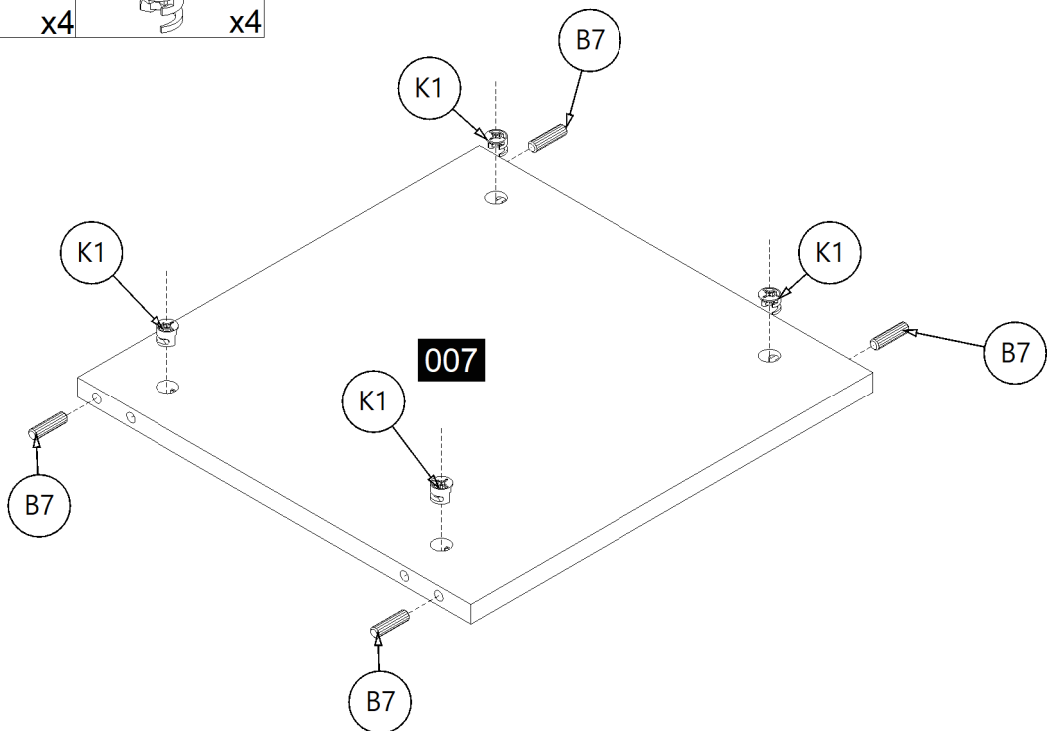
07

B7 Ø8X30 x4	K1 Ø15X12 x4	F2 x2	K5 x2	D1 x2	H11 x1	G20 5X13 x4
-----------------------	------------------------	-----------------	-----------------	-----------------	------------------	-----------------------

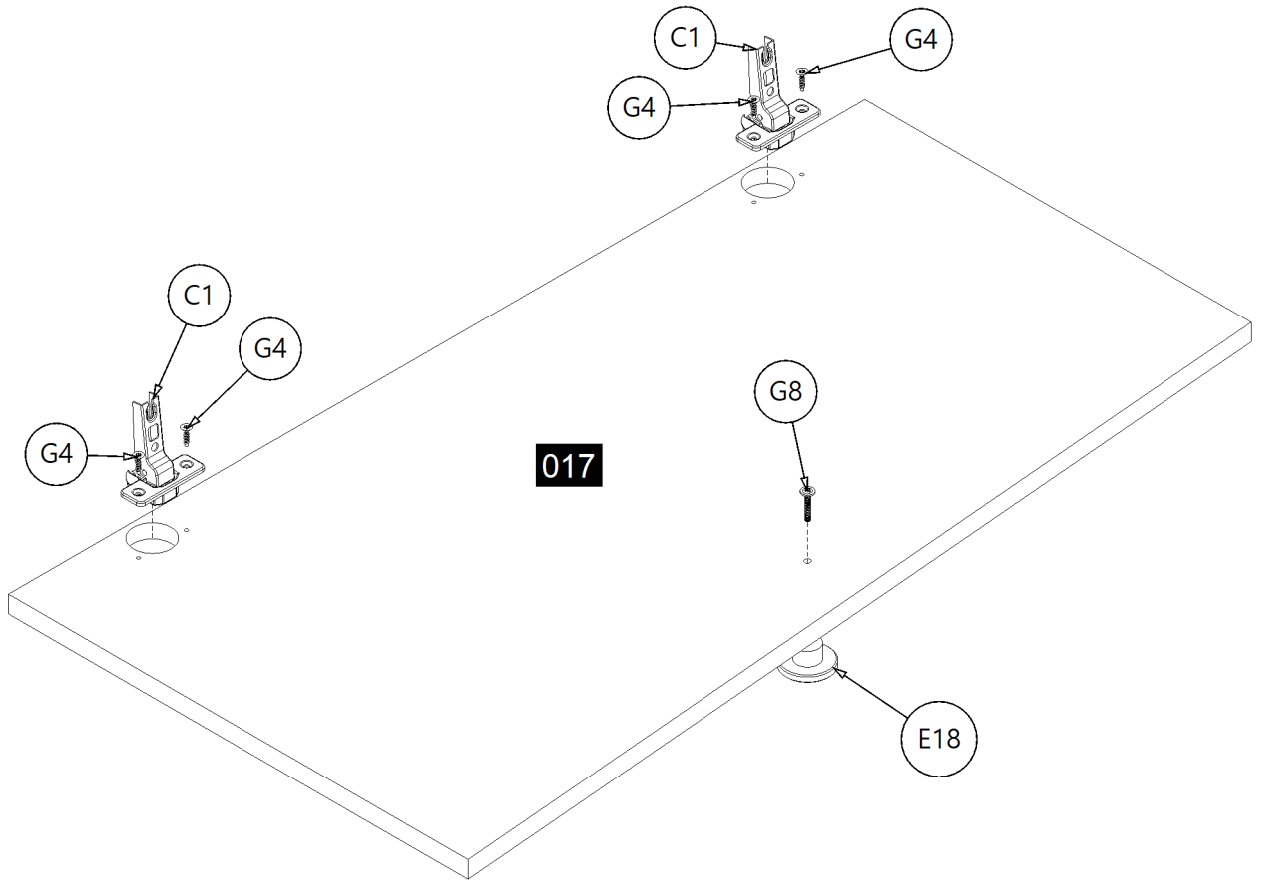
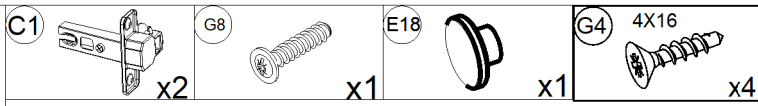


08

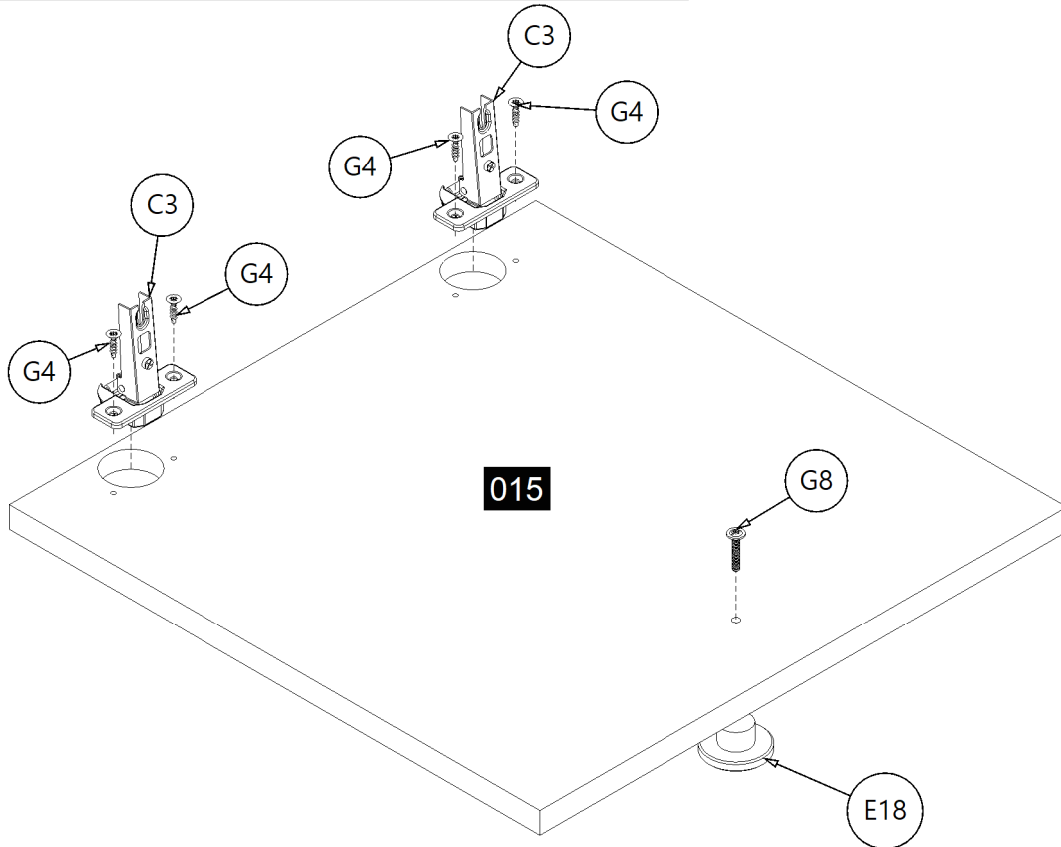
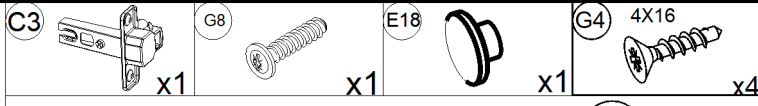
B7 Ø8X30 x4	K1 Ø15X12 x4
-----------------------	------------------------



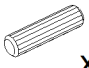



09



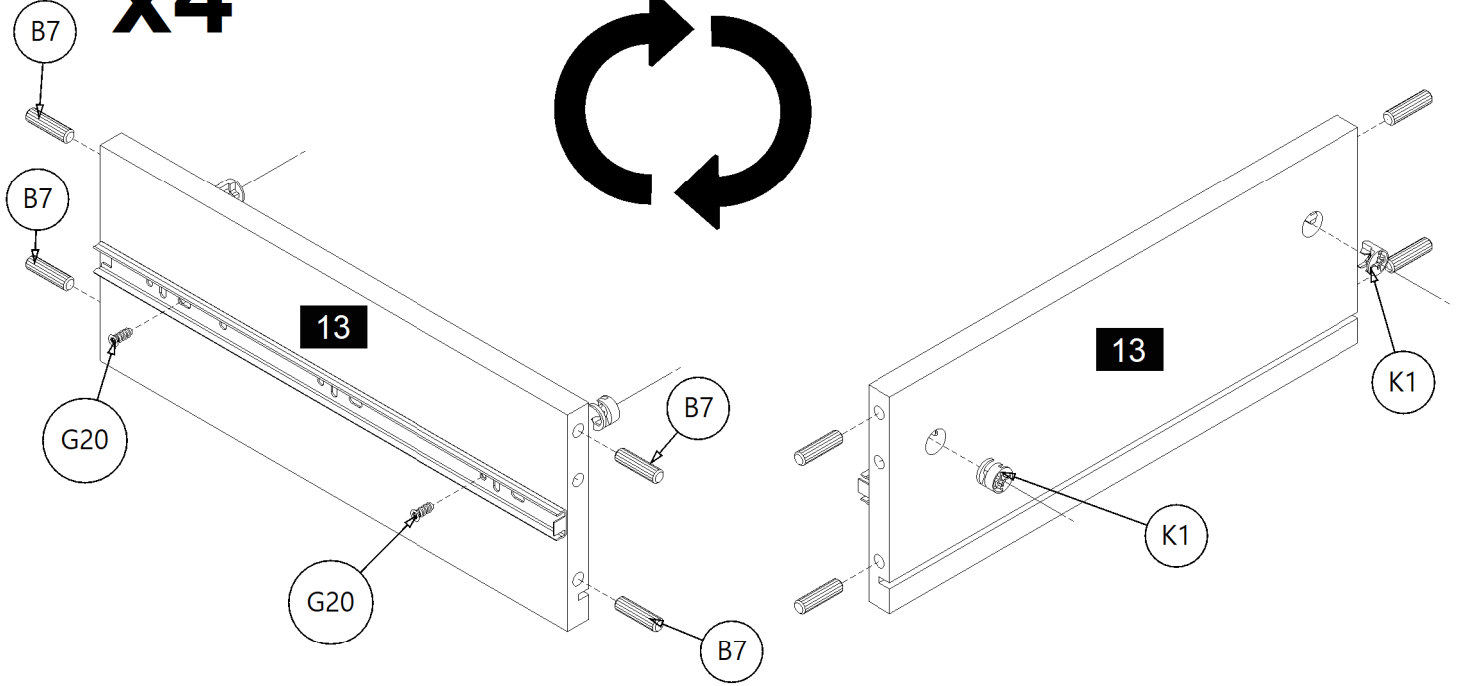
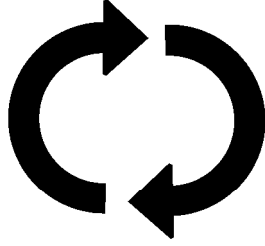
10




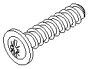
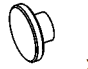

11

B7 $\varnothing 8 \times 30$  x16	K1 $\varnothing 15 \times 12$  x8	G20 5X13  x8	H11  x2
--	--	---	--

x4

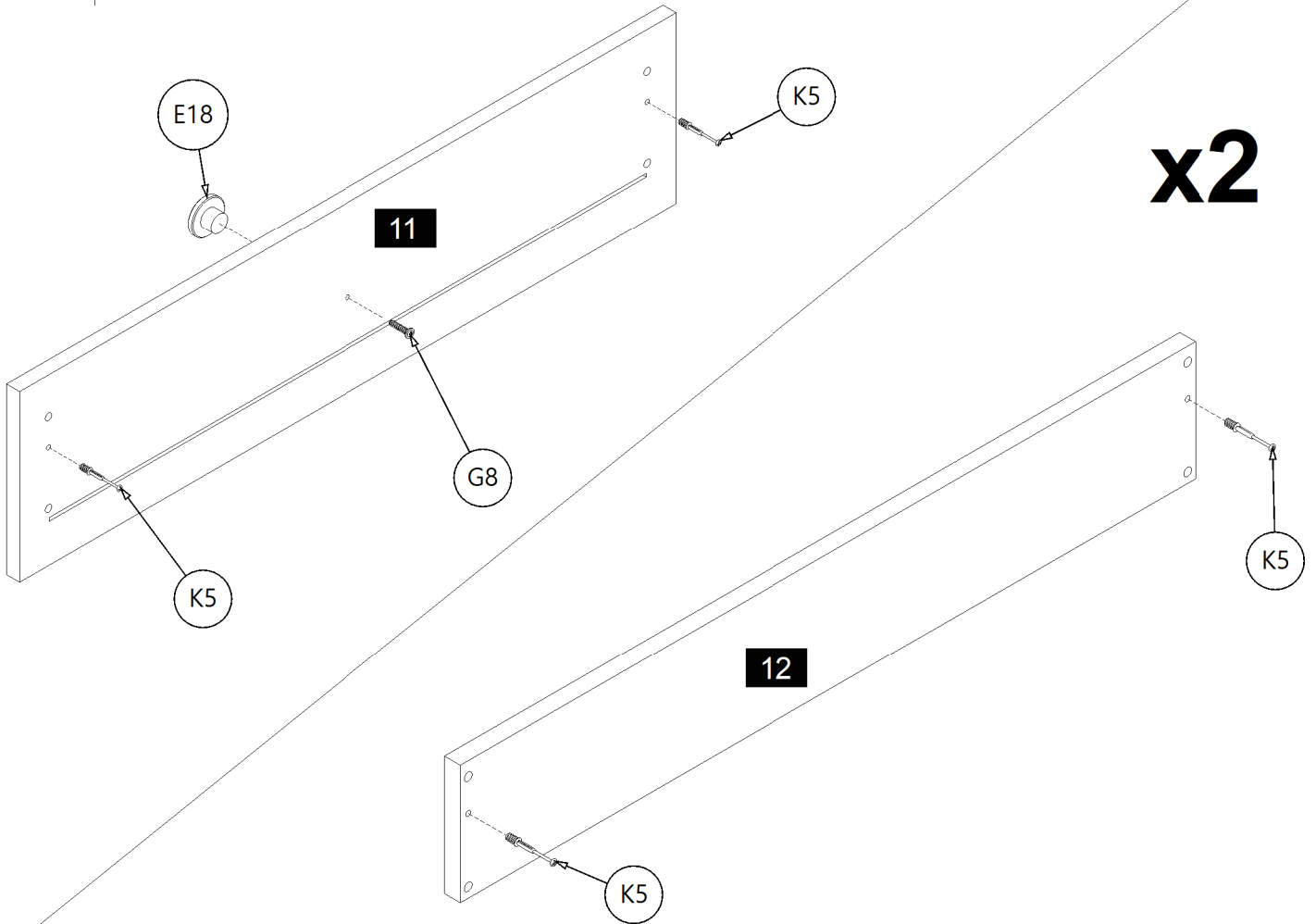


12

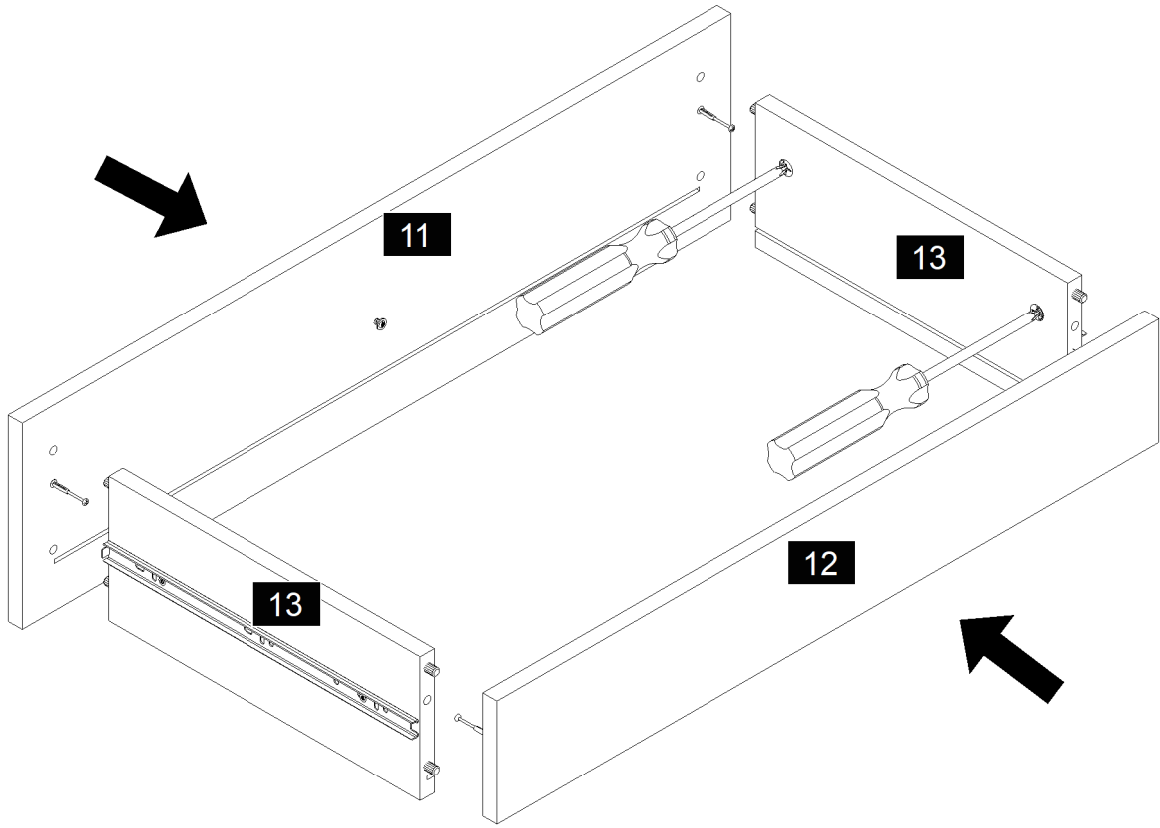
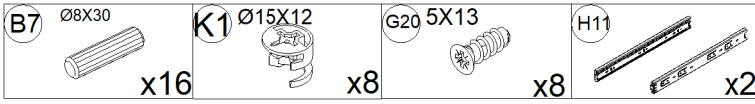
K5  x8	G8  x2	E18  x2	K5  x2
---	---	--	---

x2

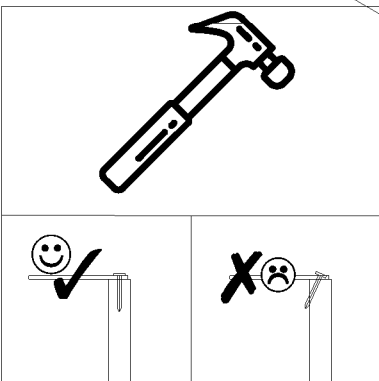
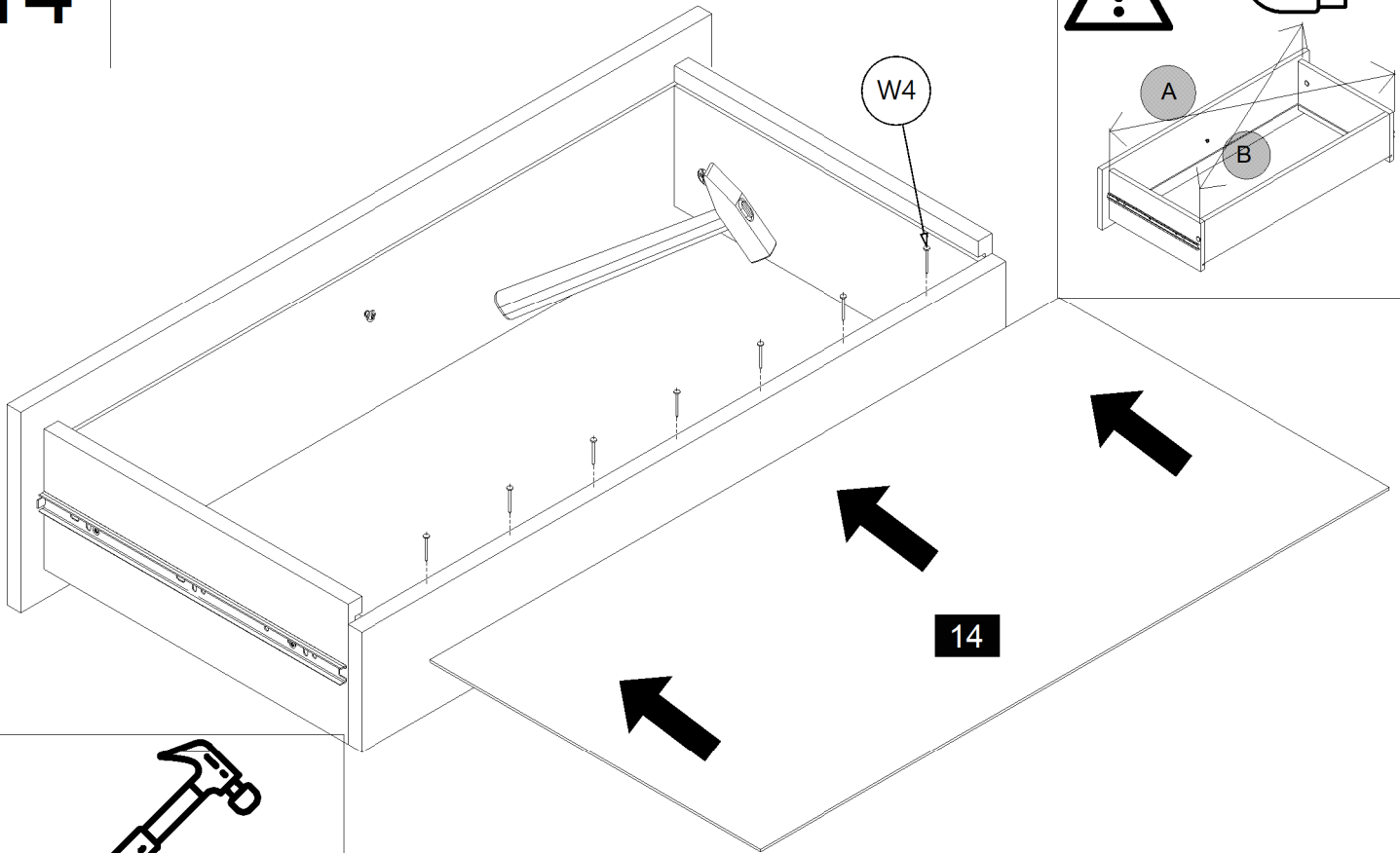
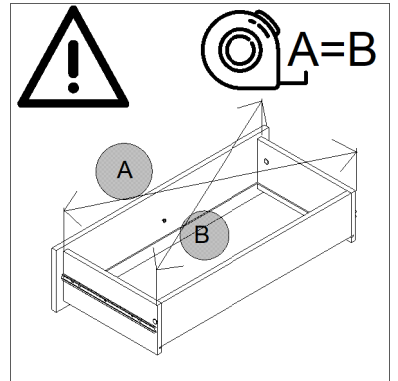
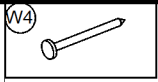
x2



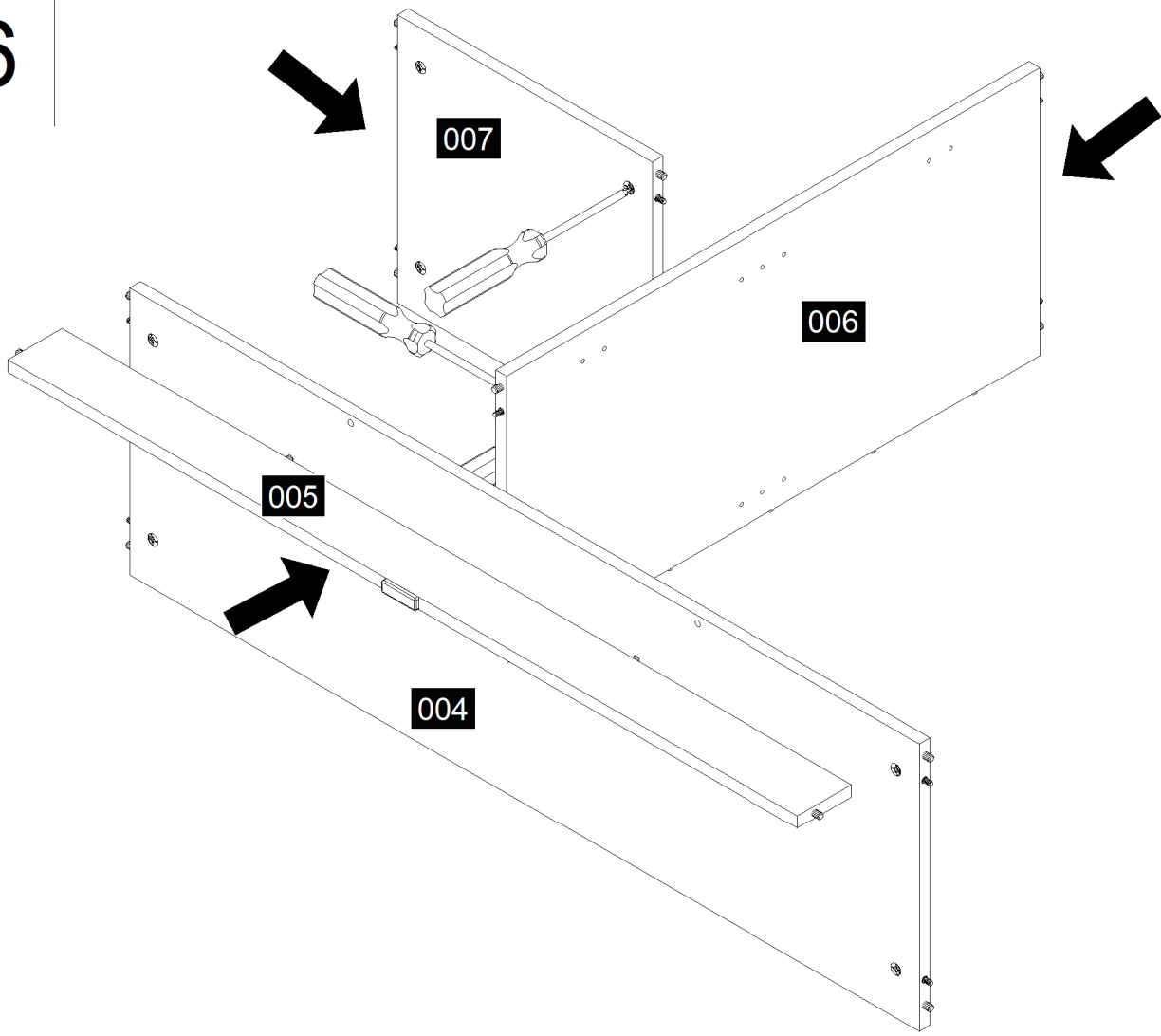
13



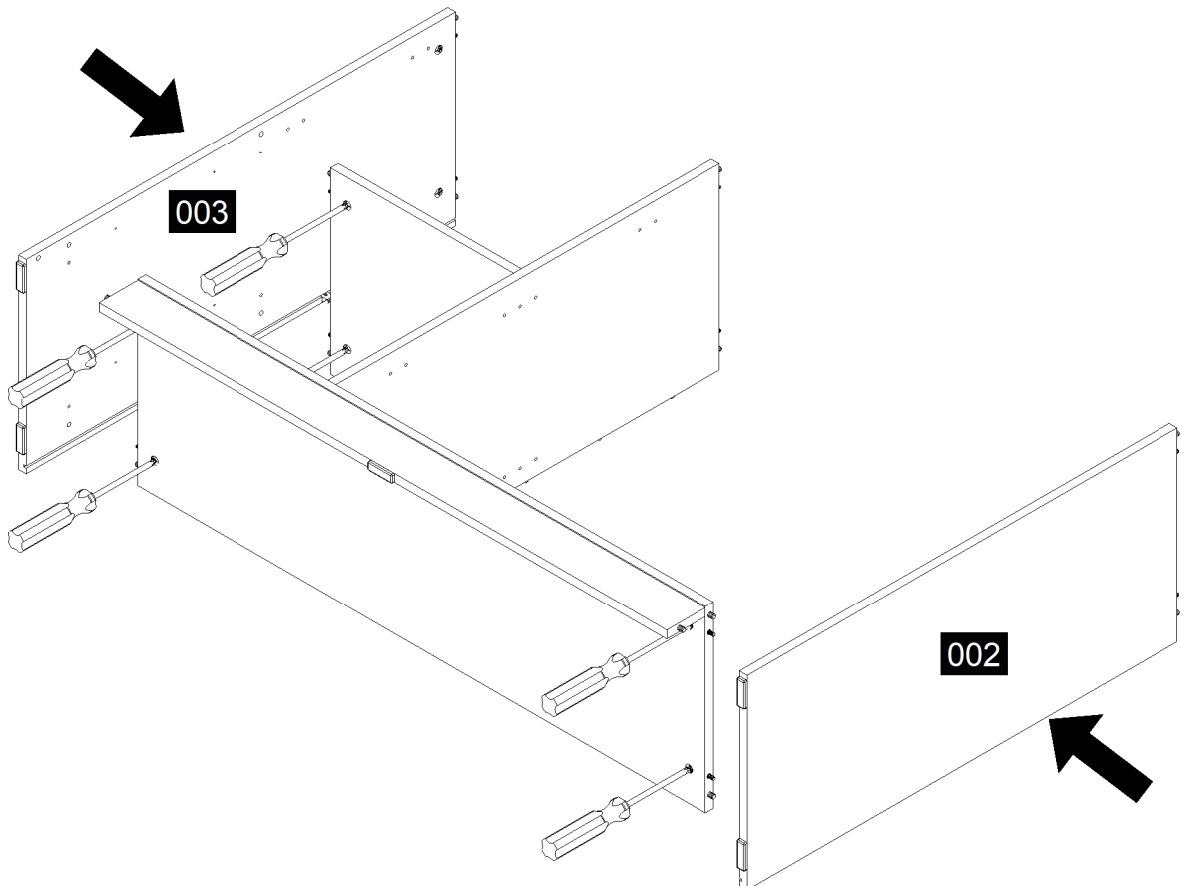
14



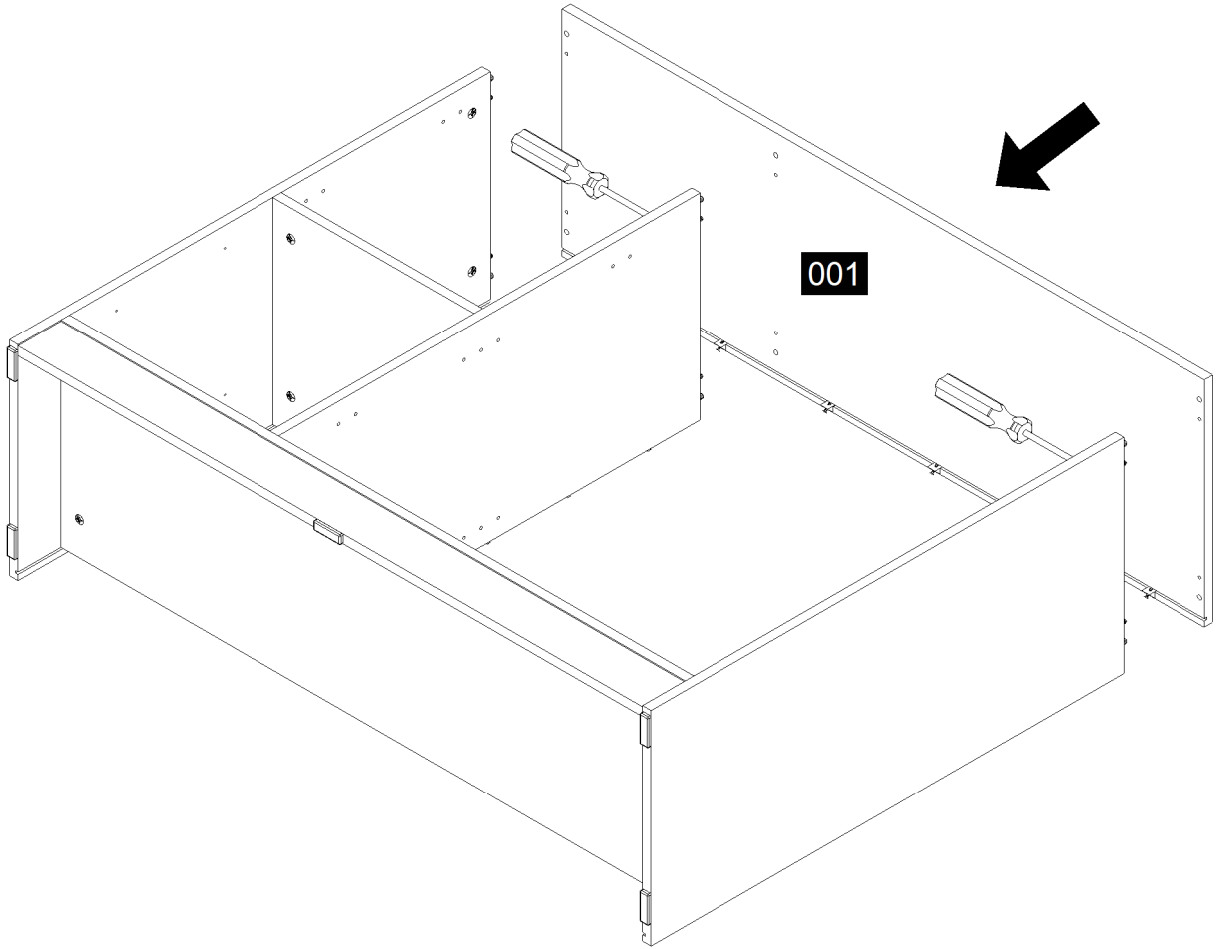
16



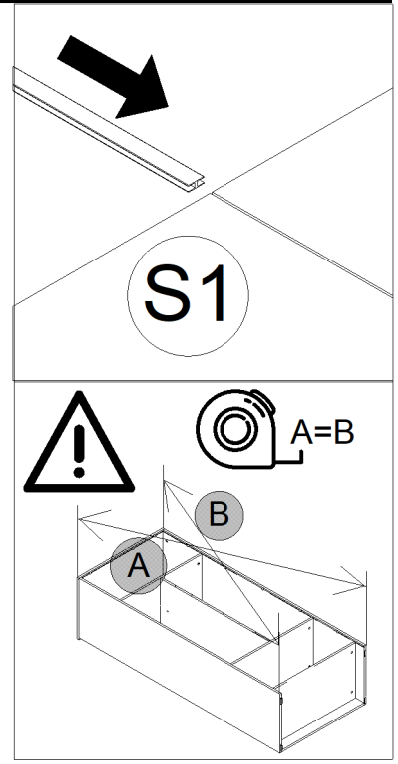
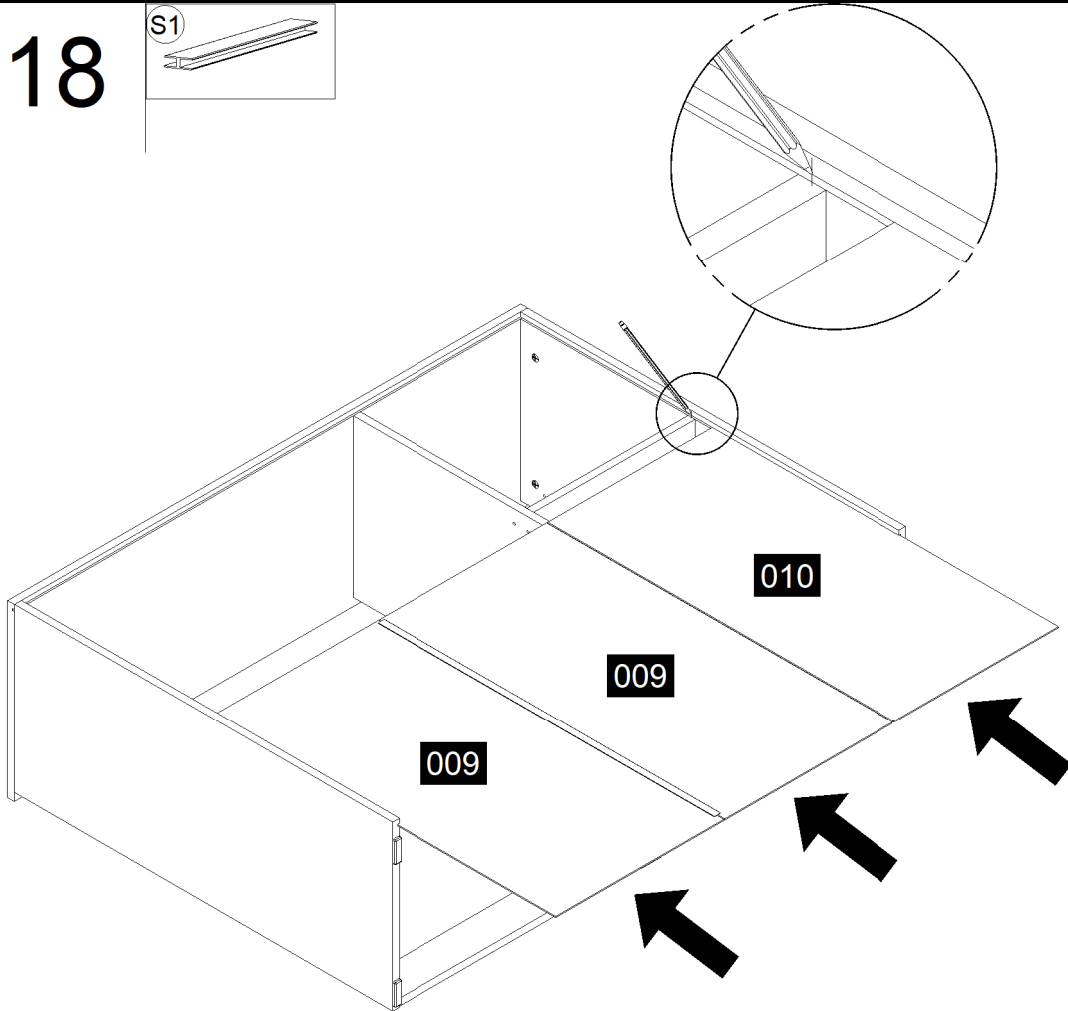
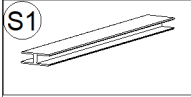
16



17

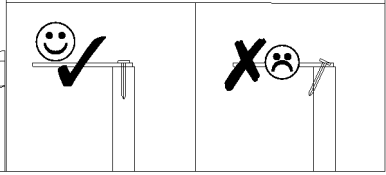
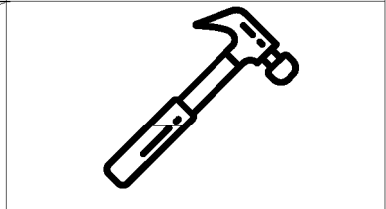
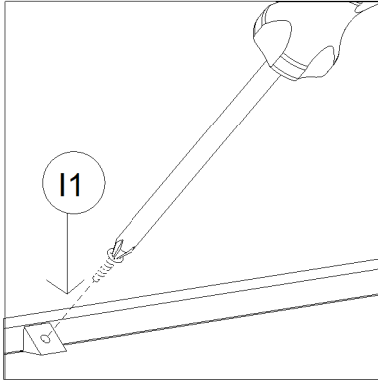
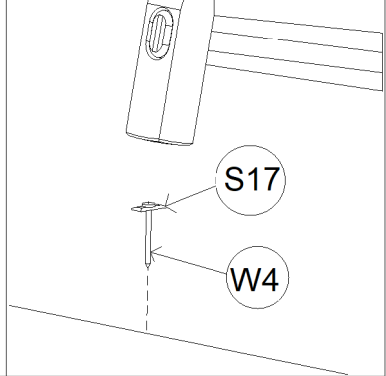
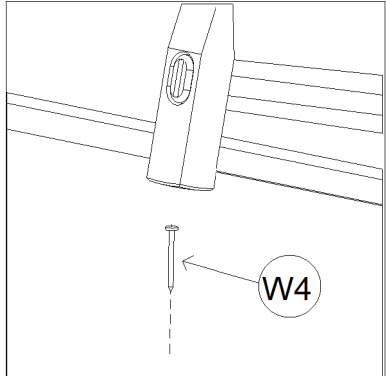
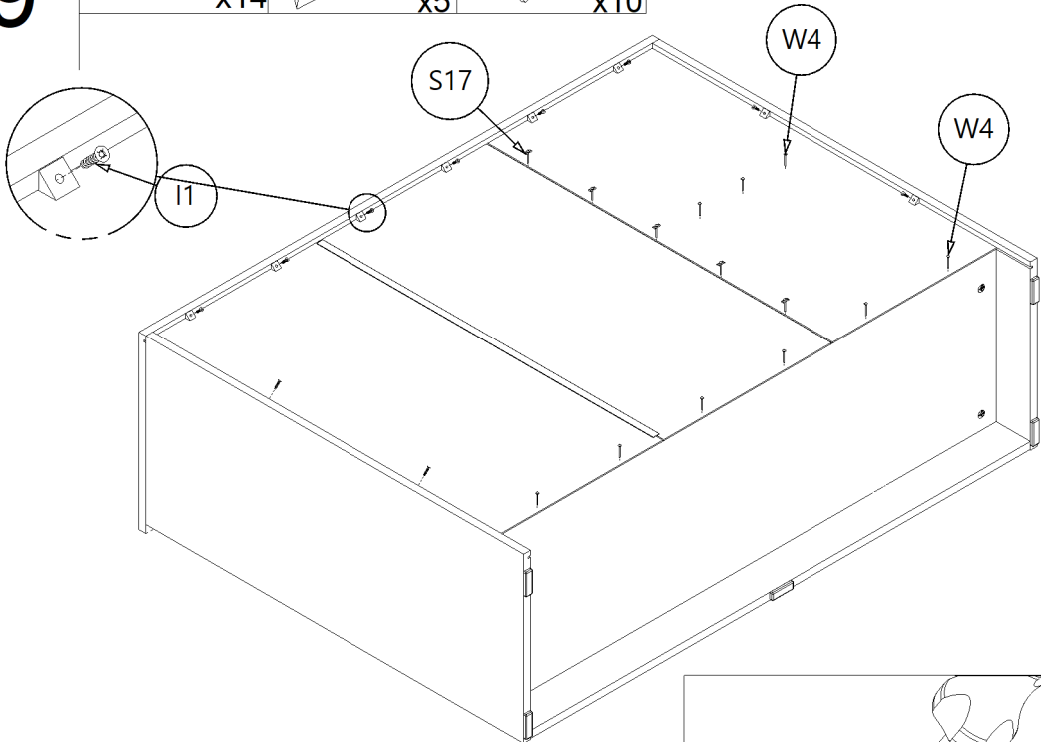


18

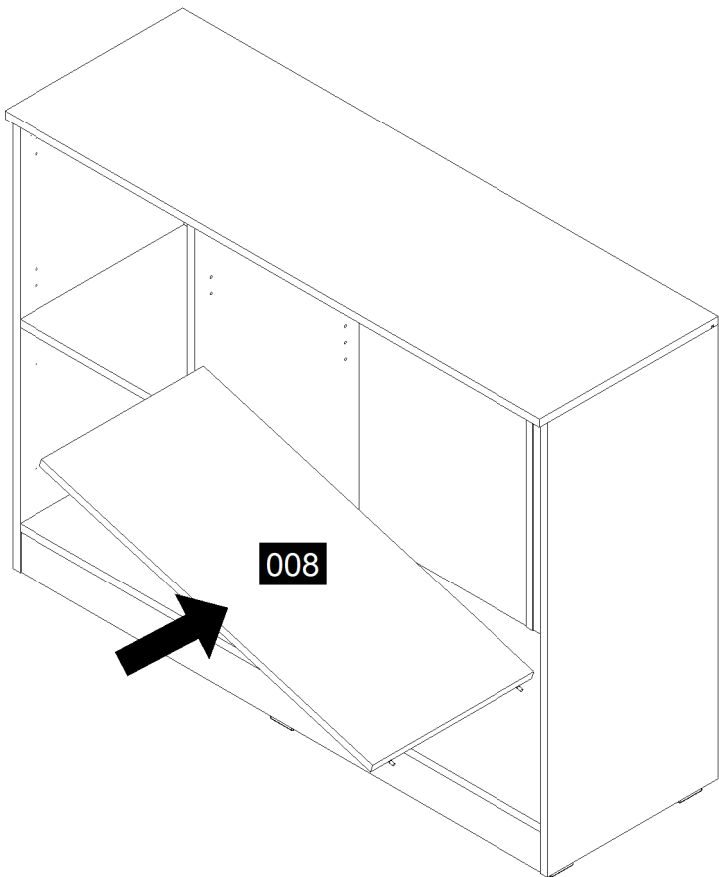


19

- W4 x14
- S17 x5
- I1 x10



20



21

