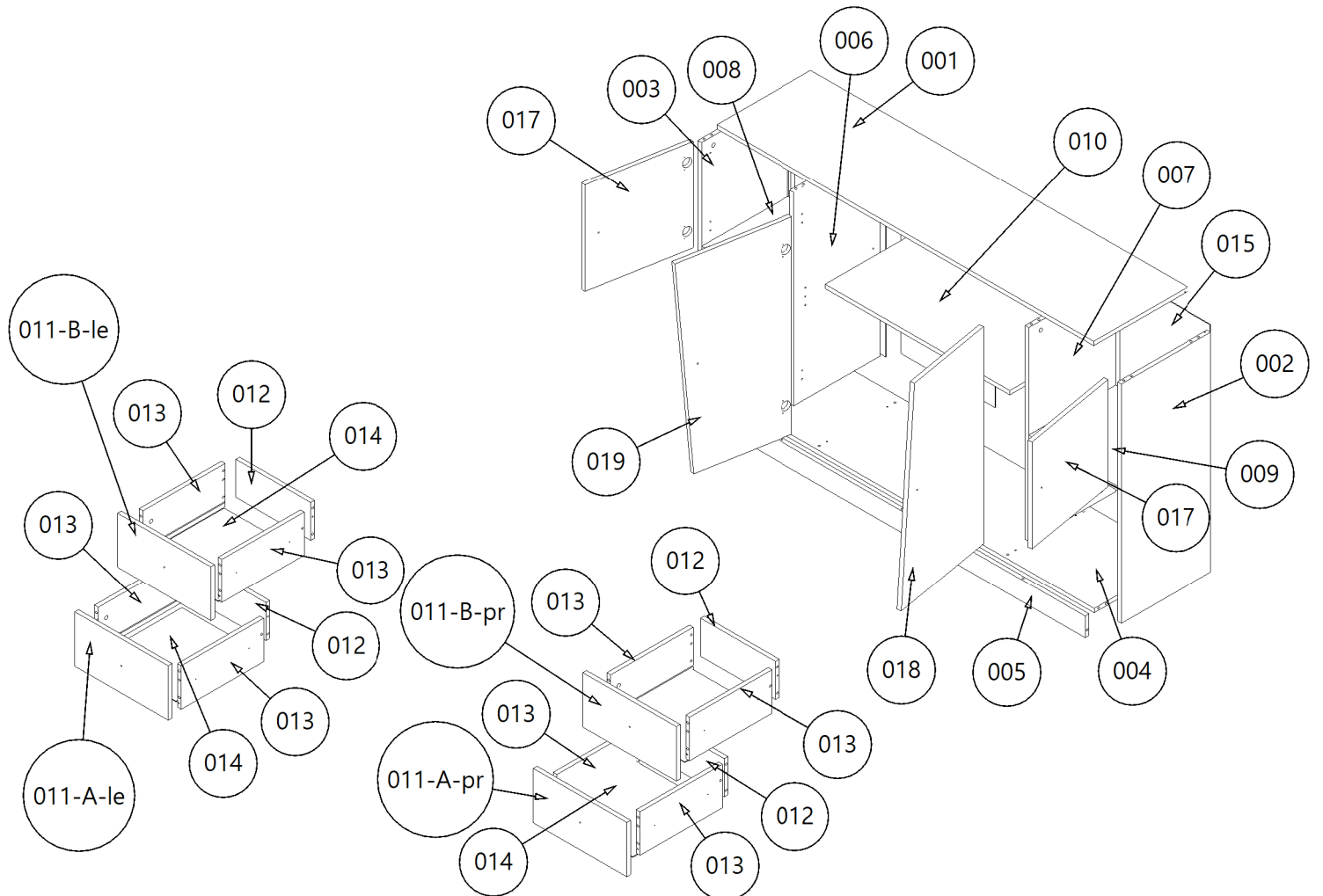
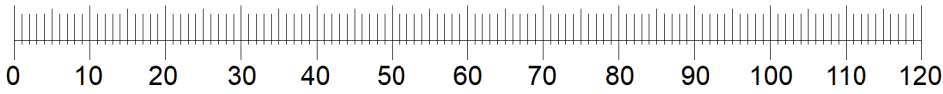
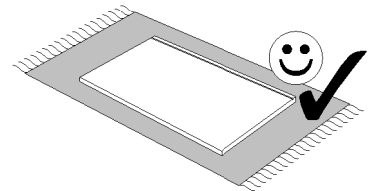
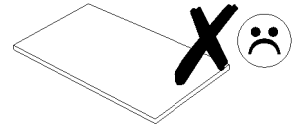
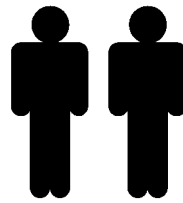
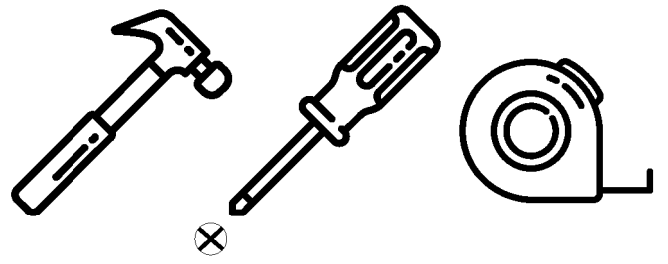
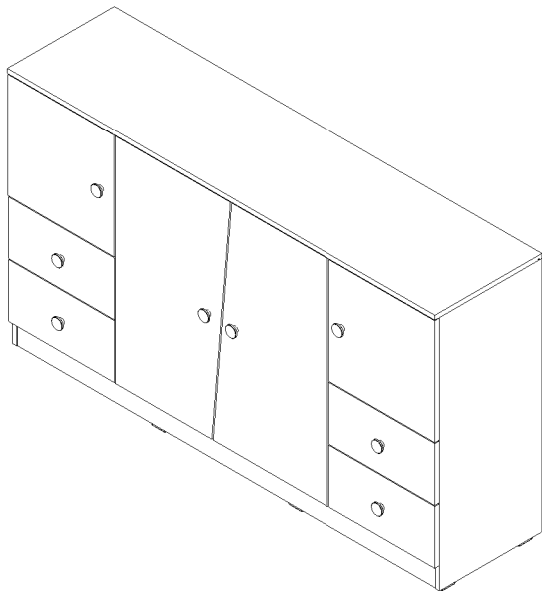
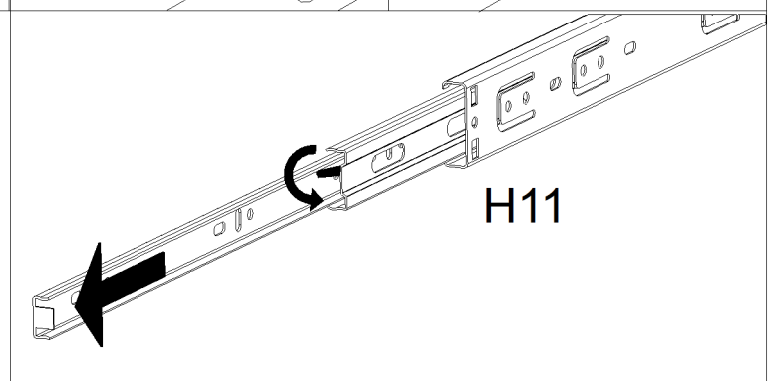
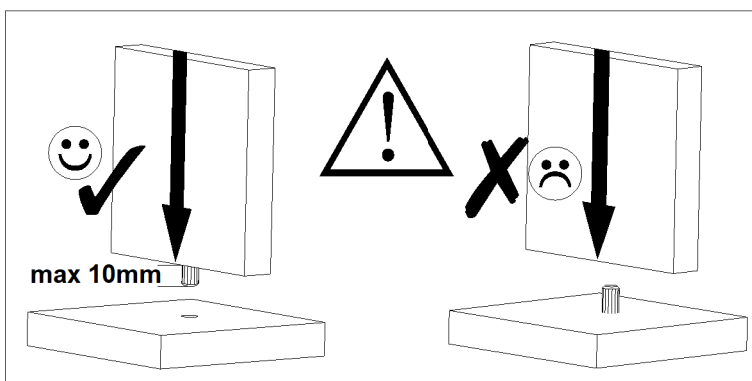
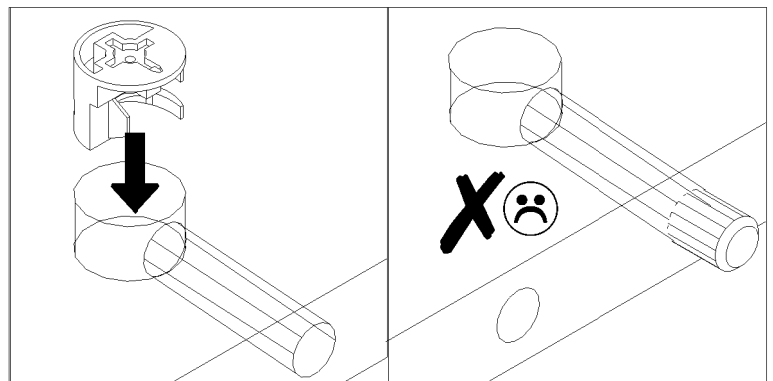
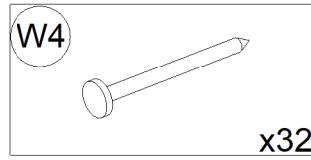
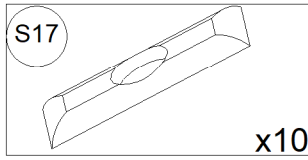
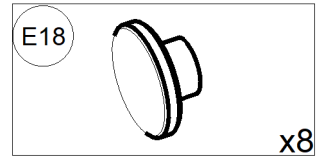
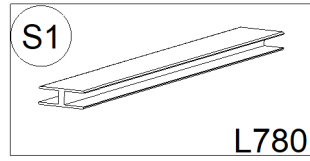
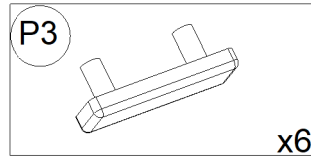
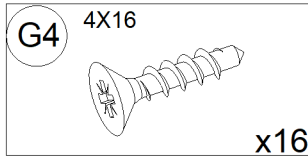
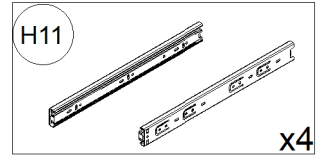
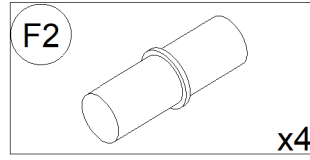
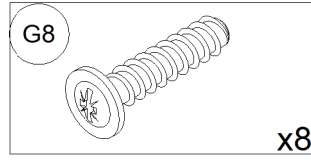
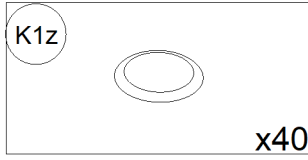
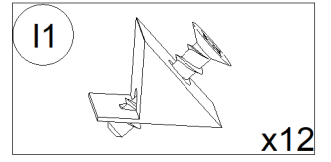
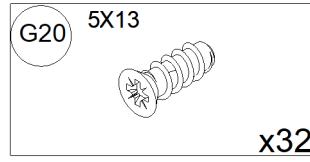
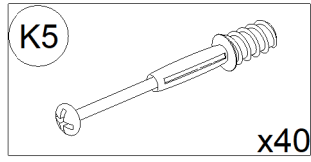
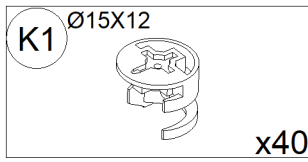
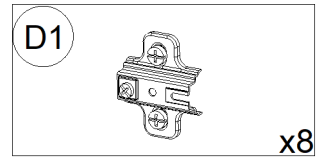
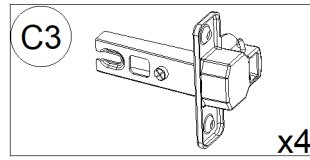
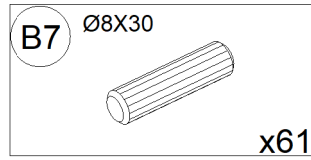
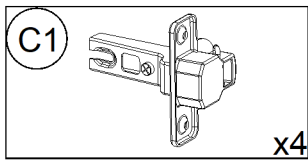


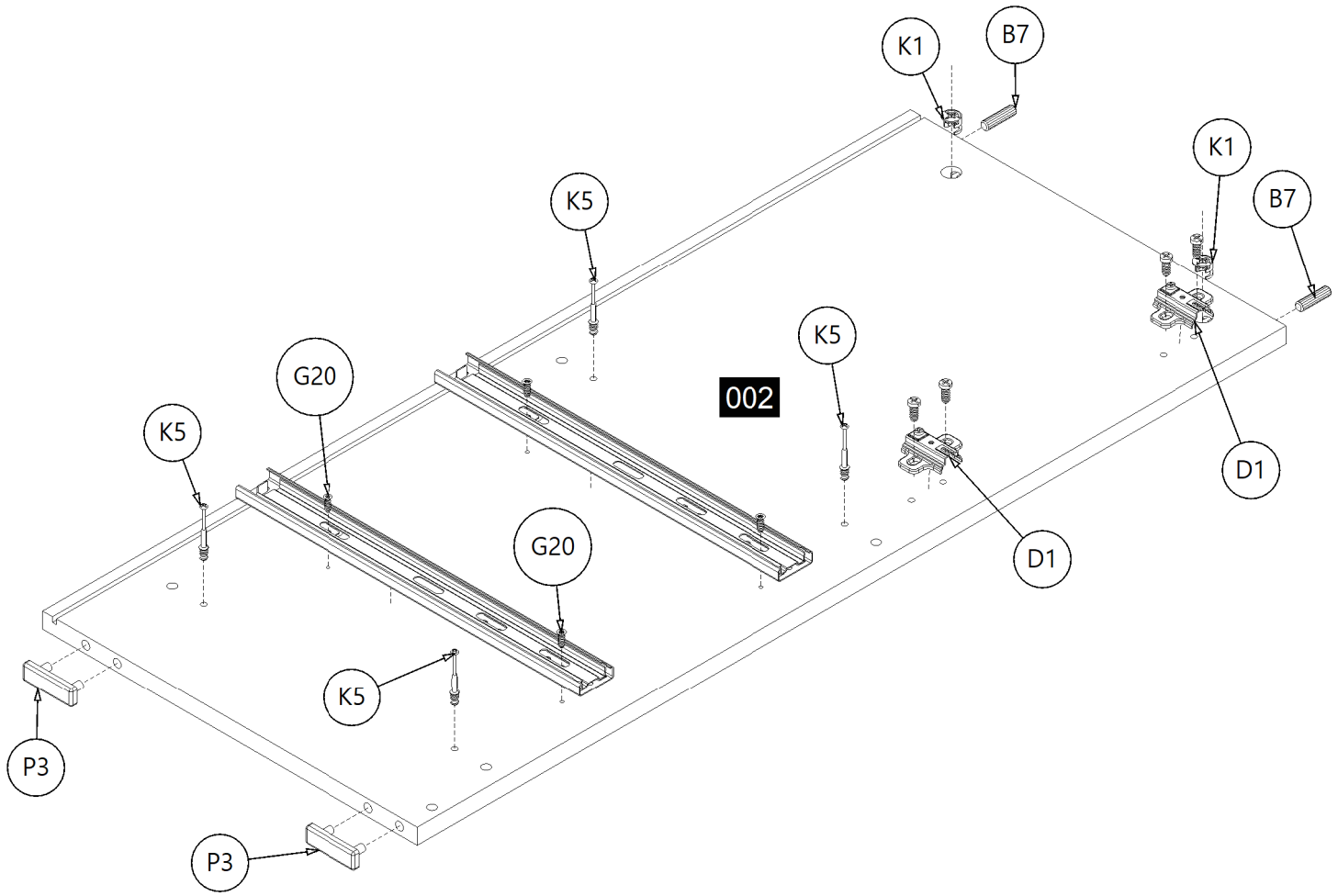
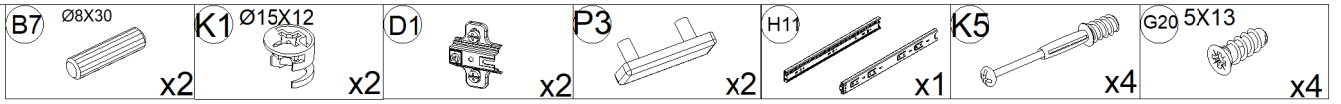
NERO 06

KOMODA 160

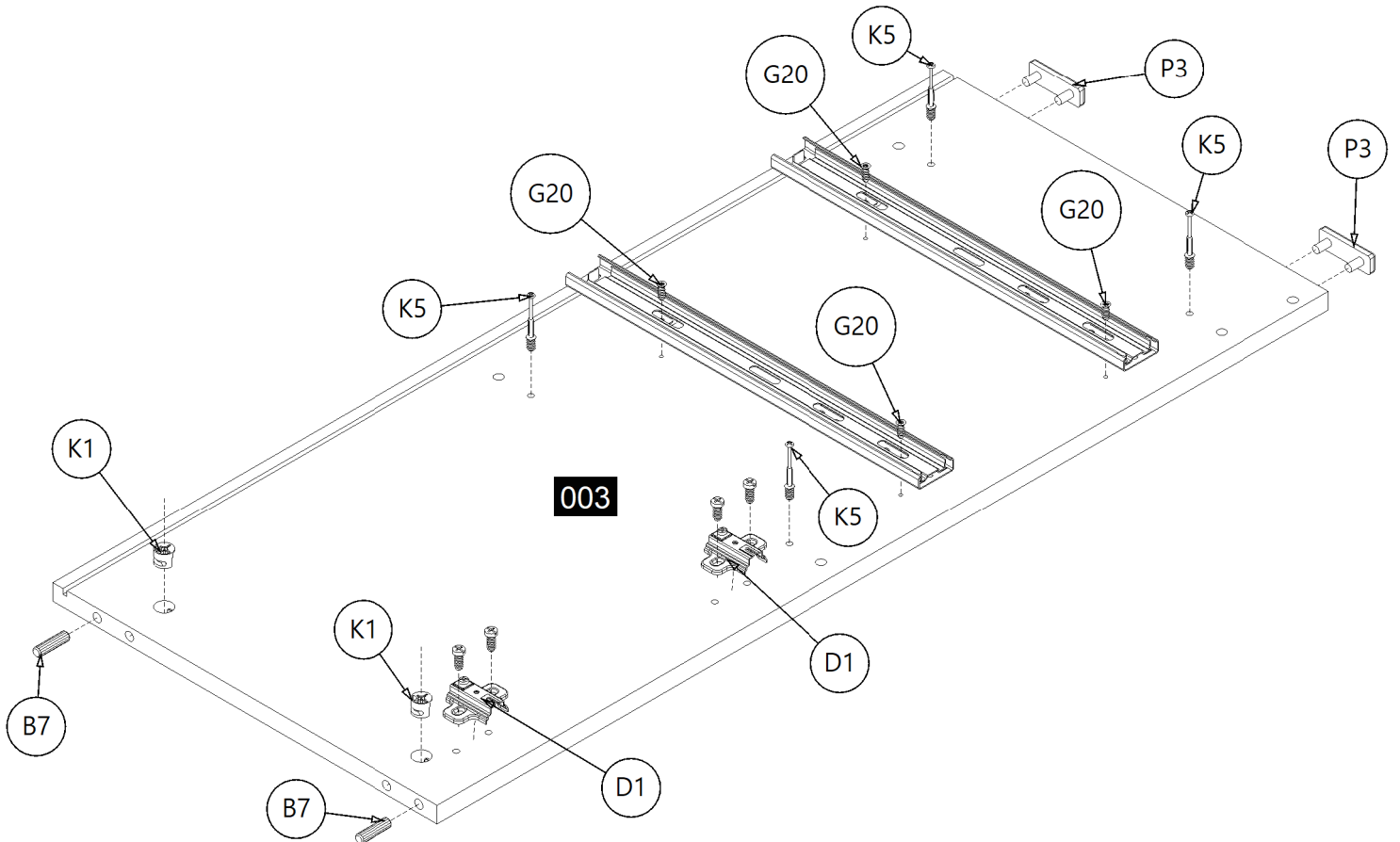
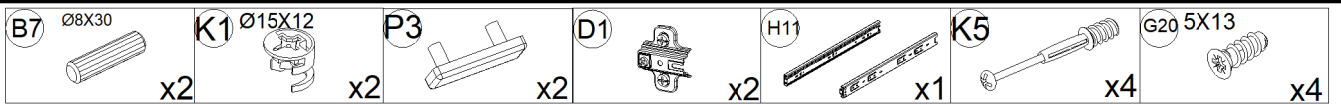




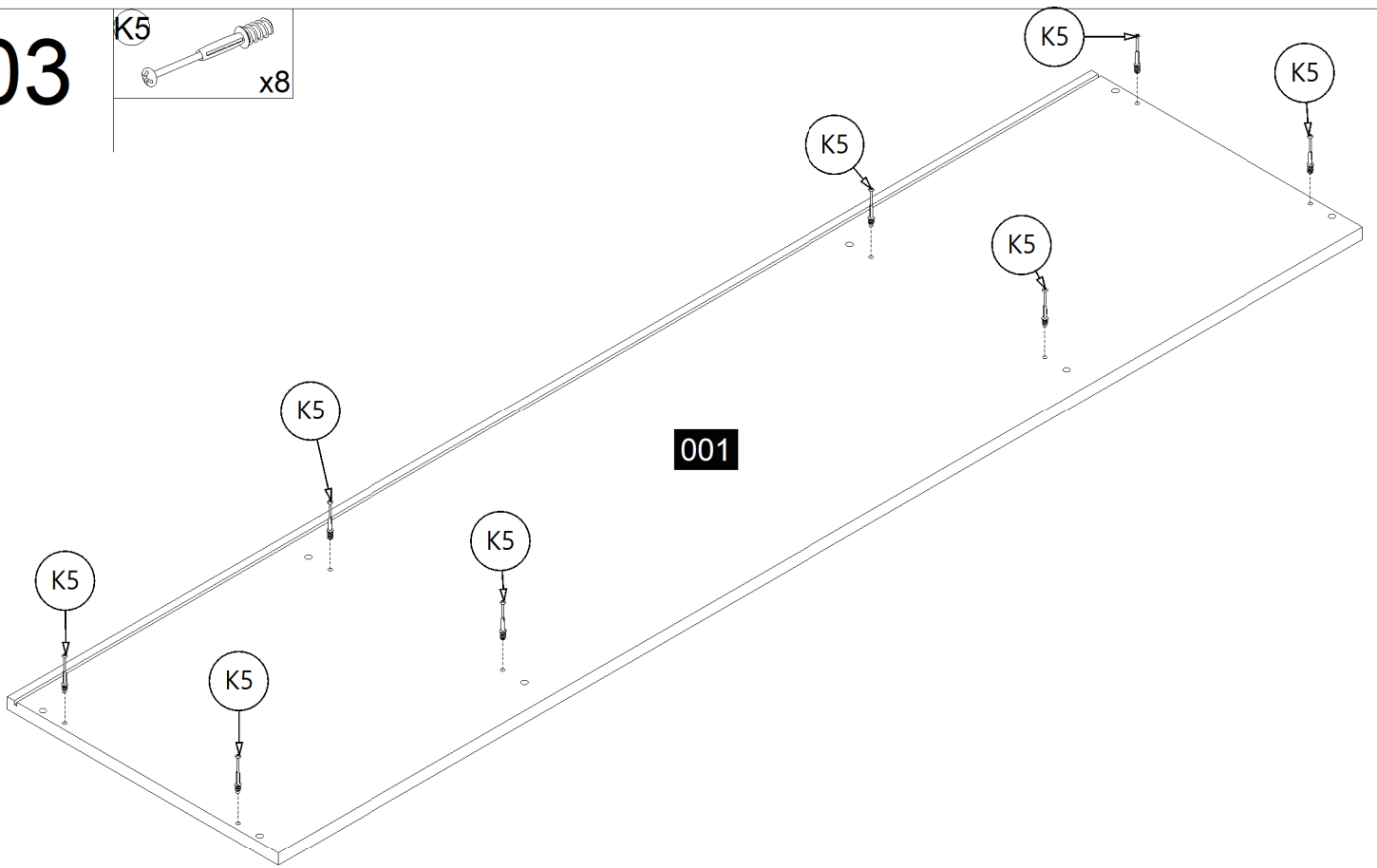
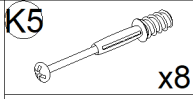
01



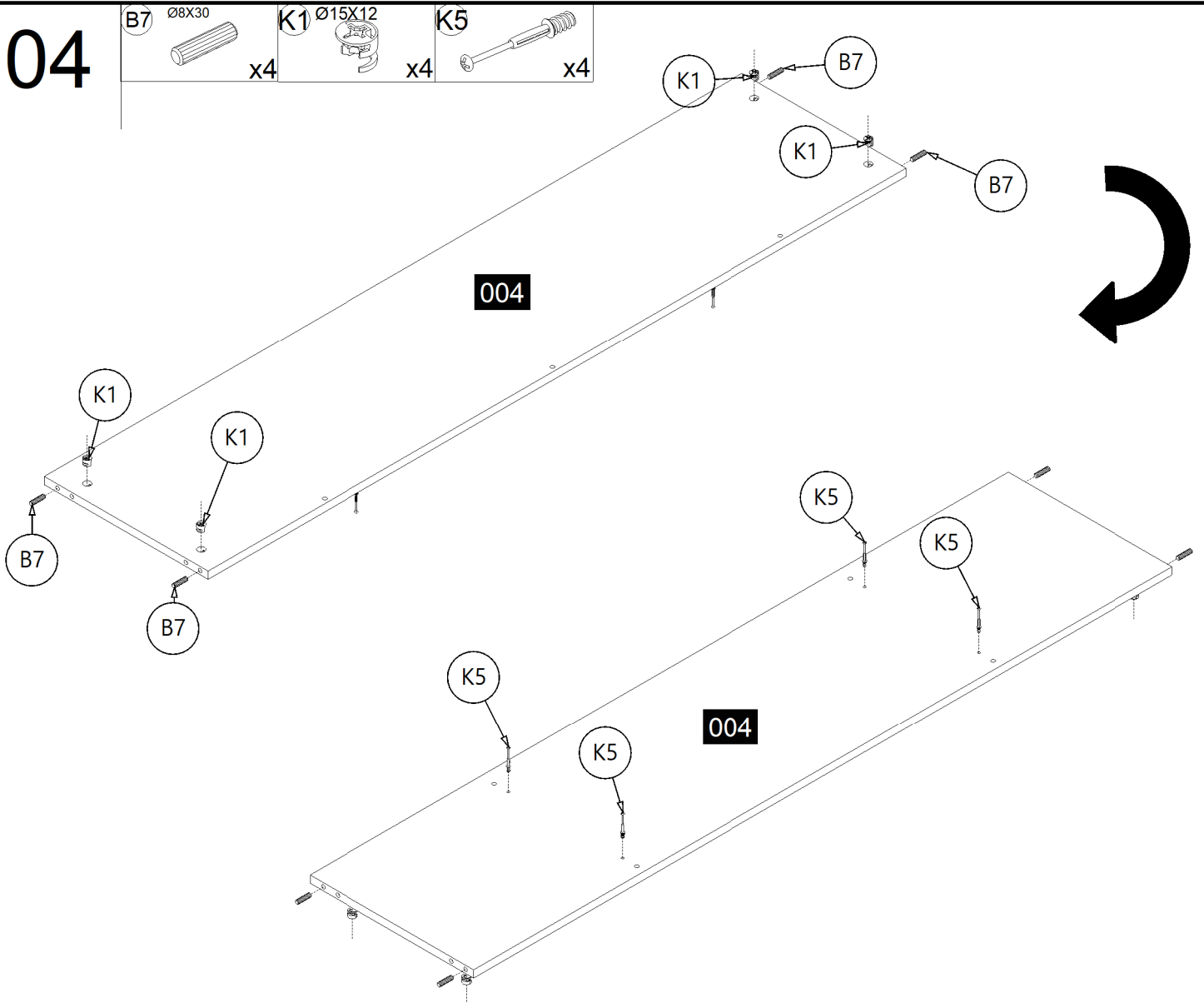
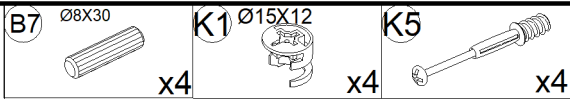
02



03

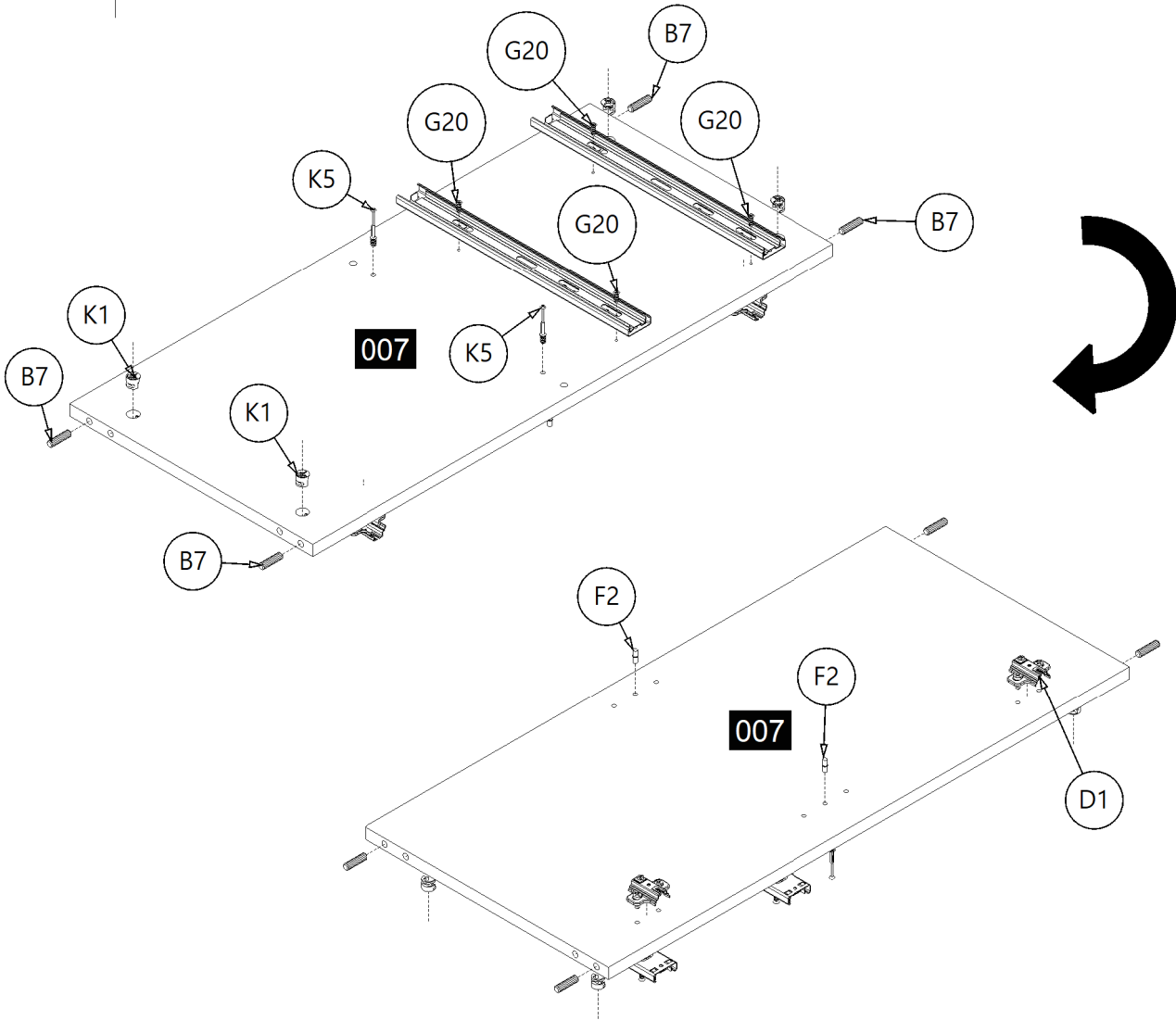


04



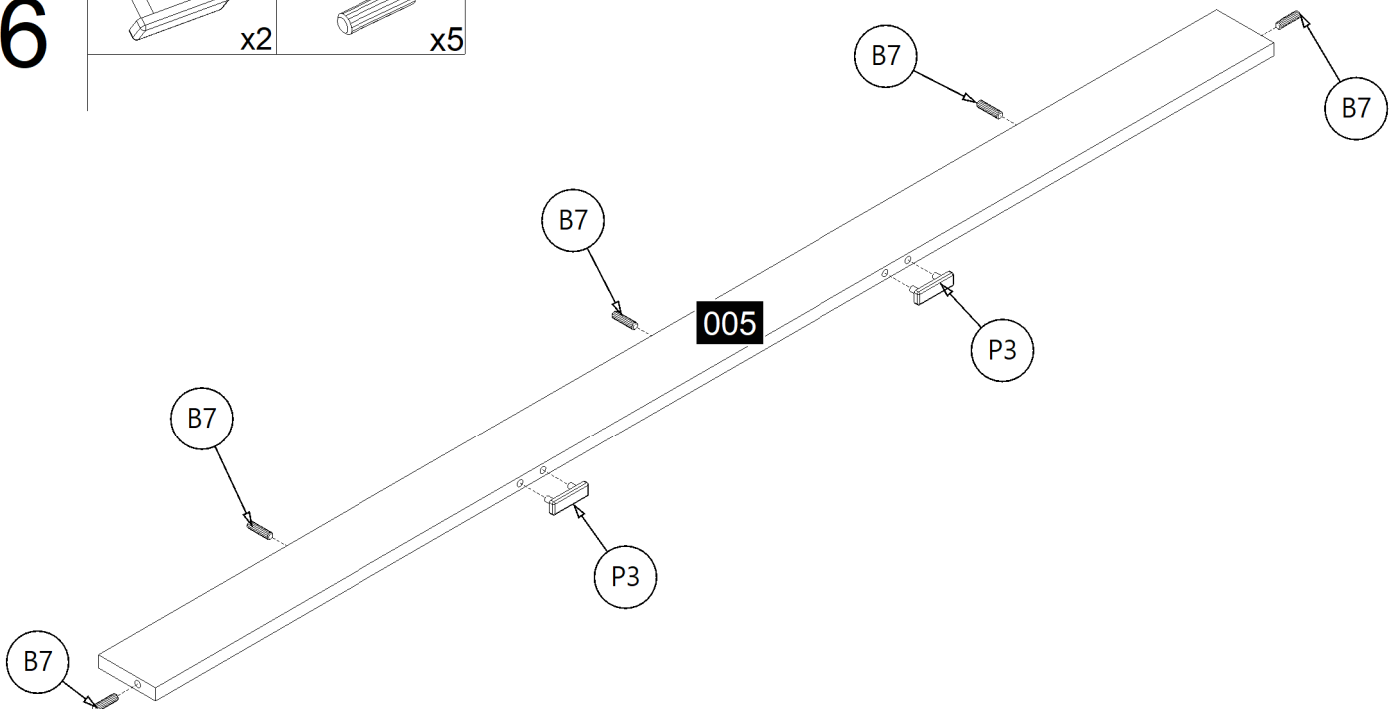
05

B7 $\varnothing 8 \times 30$ x4	K1 $\varnothing 15 \times 12$ x4	F2 x2	K5 x2	D1 x2	H11 x1	G20 5X13 x4
------------------------------------	-------------------------------------	----------	----------	----------	-----------	----------------



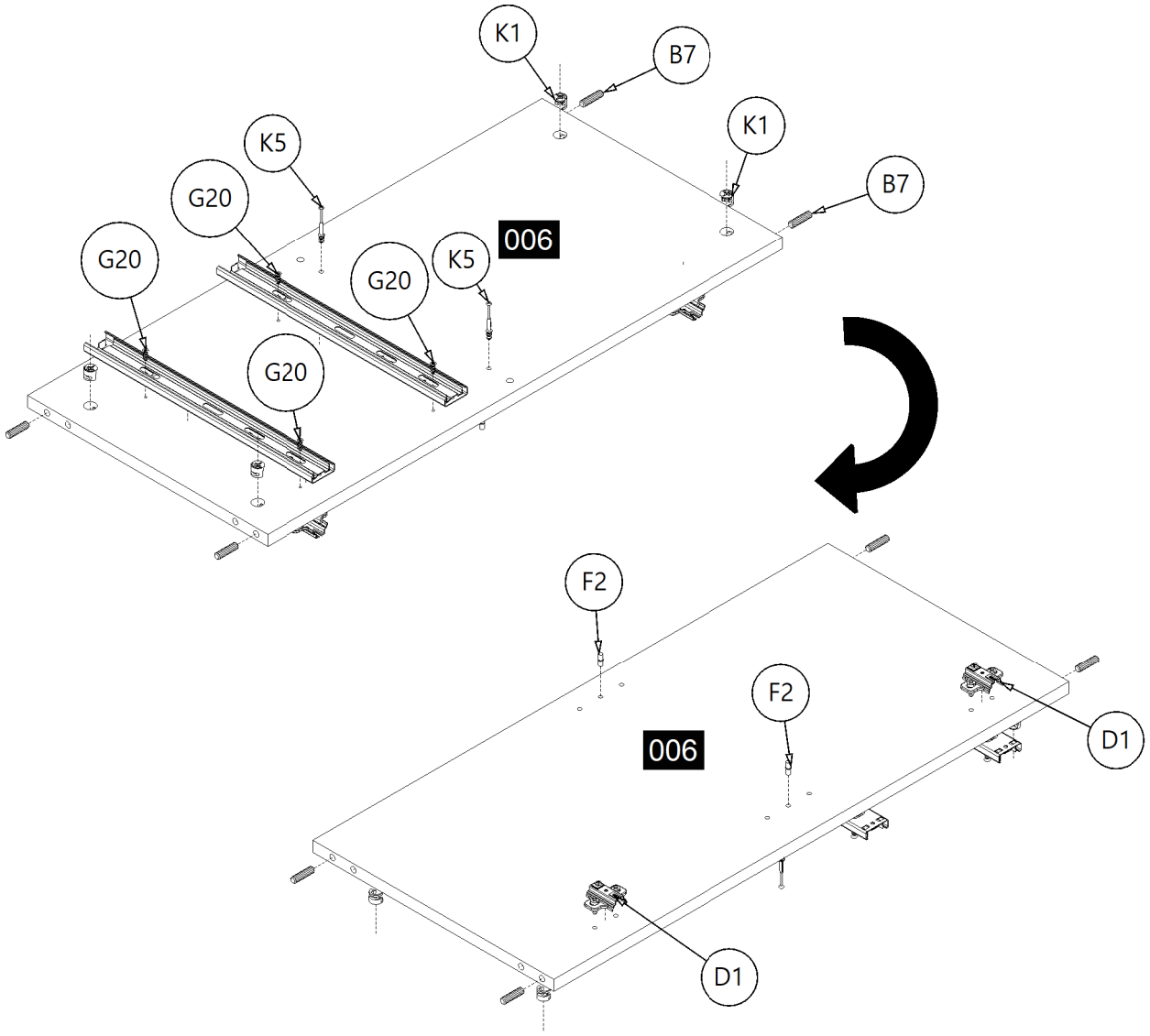
06

P3 x2	B7 $\varnothing 8 \times 30$ x5
----------	------------------------------------



07

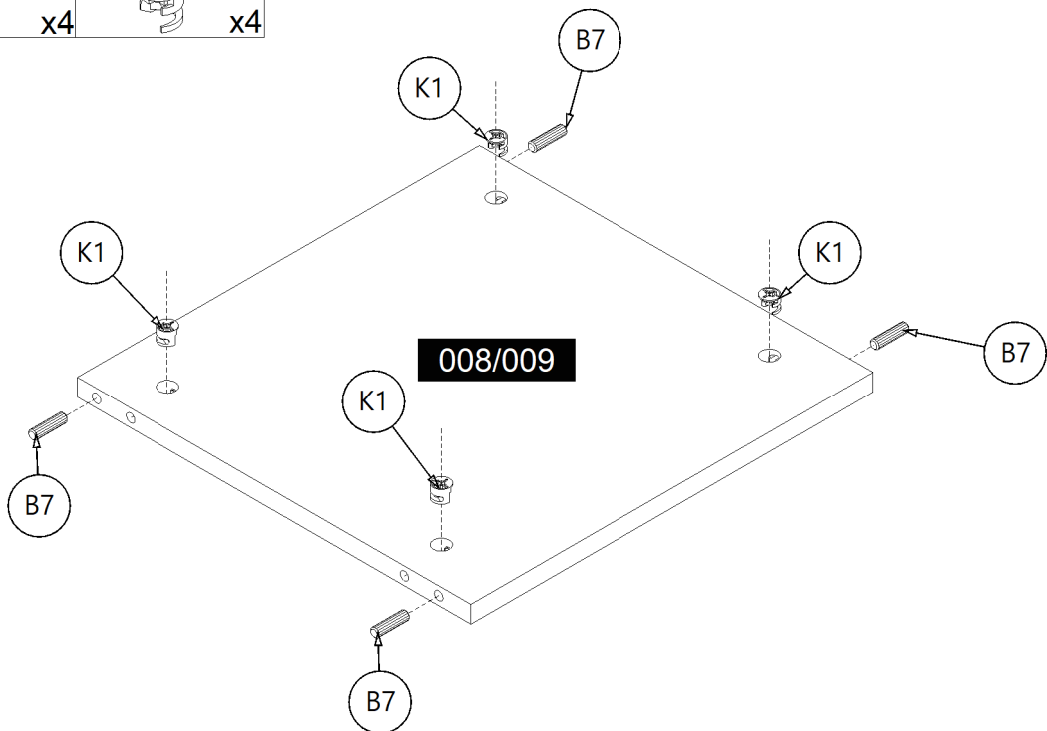
- | | | | | | | |
|-------------|--------------|-------|-------|-------|--------|-------------|
| B7 Ø8X30 x4 | K1 Ø15X12 x4 | F2 x2 | K5 x2 | D1 x2 | H11 x1 | G20 5X13 x4 |
|-------------|--------------|-------|-------|-------|--------|-------------|



08

- | | |
|-------------|--------------|
| B7 Ø8X30 x4 | K1 Ø15X12 x4 |
|-------------|--------------|

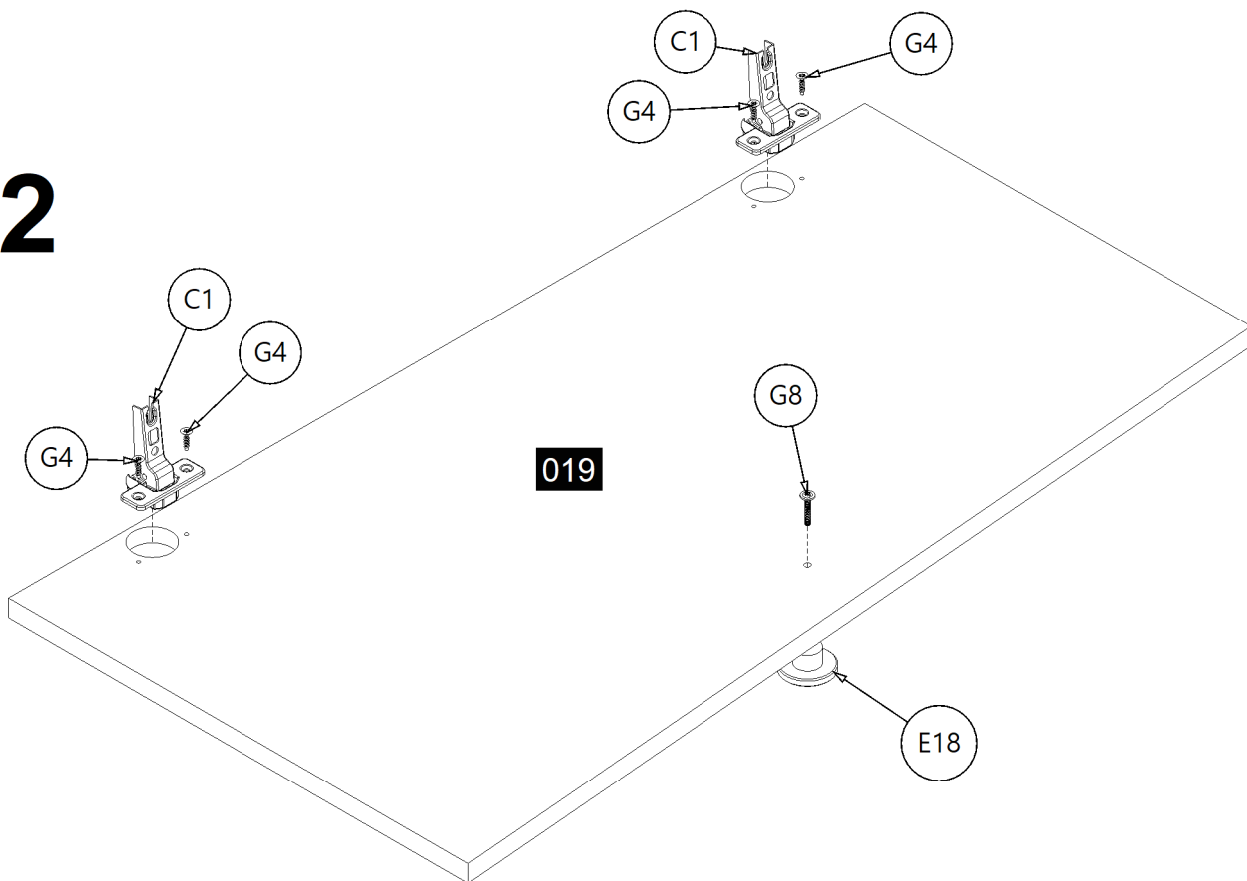
x2



09

- C1 x4
- G8 x2
- E18 x2
- G4 4X16 x8

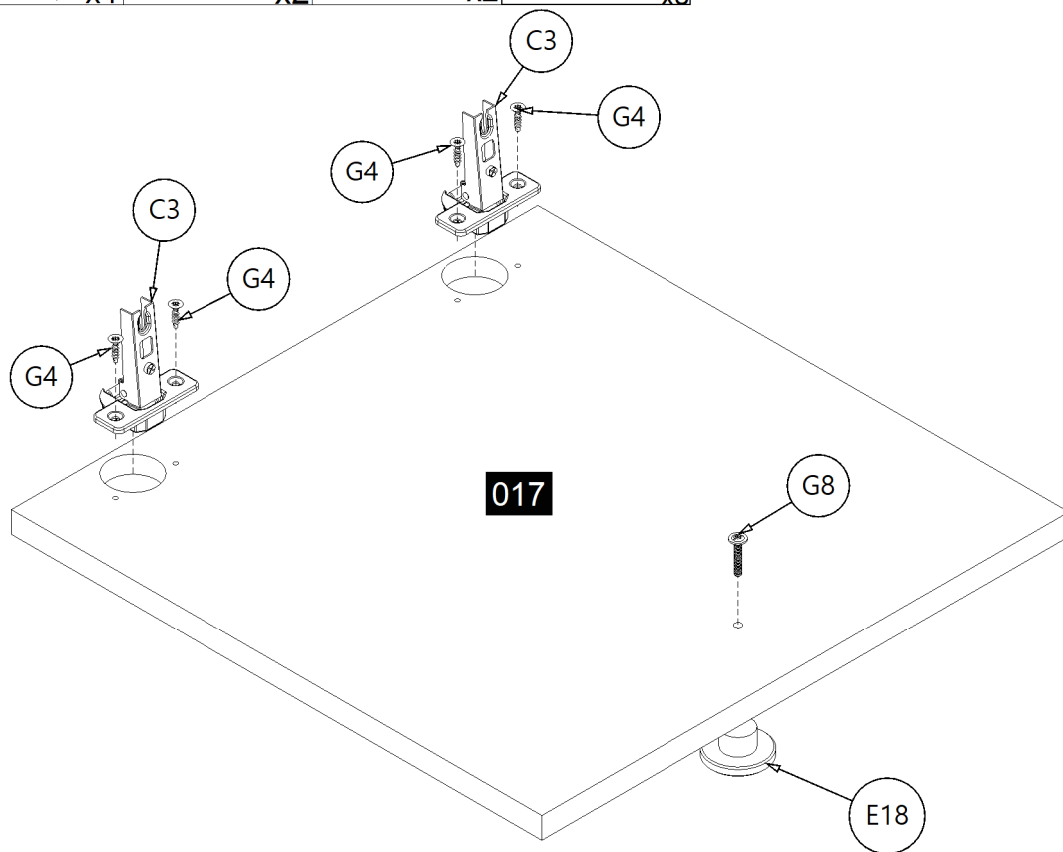
x2



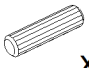



10

- C3 x4
- G8 x2
- E18 x2
- G4 4X16 x8

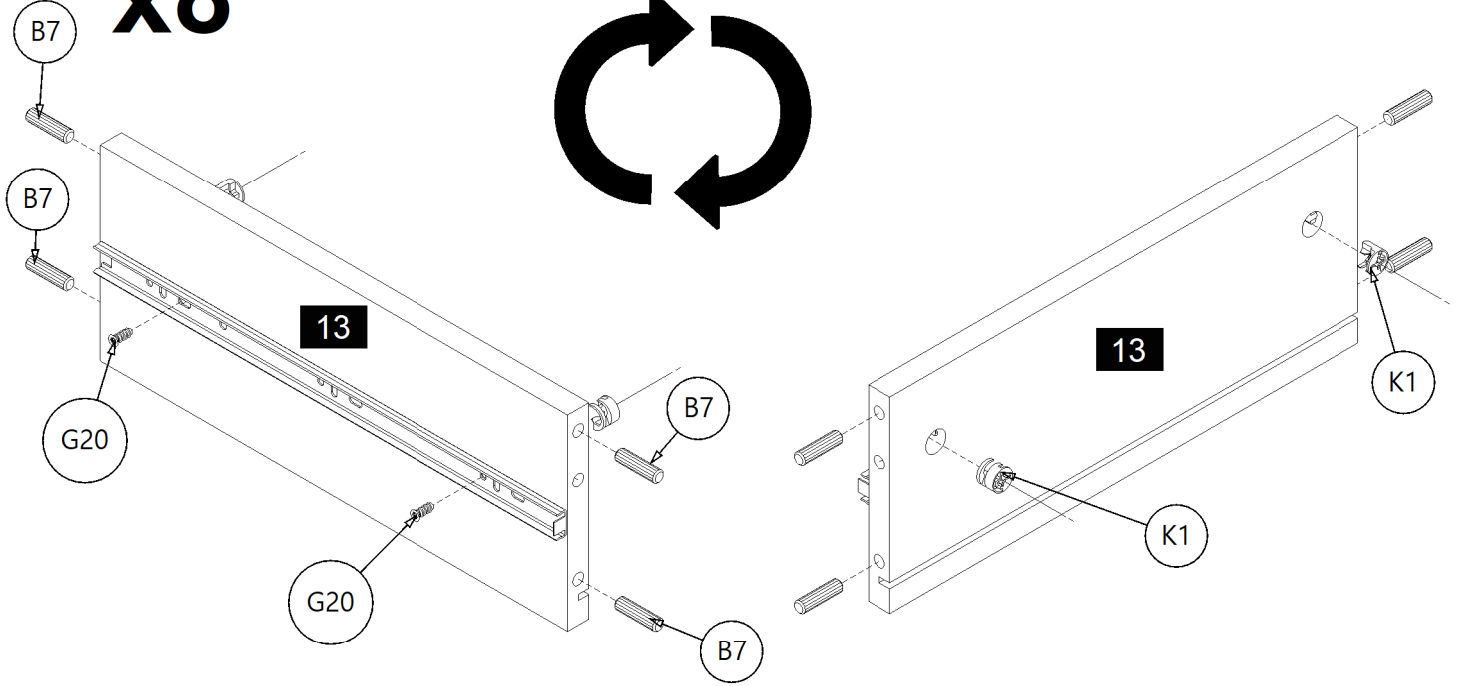
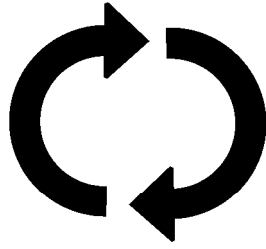
x2




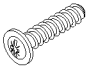
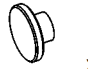

11

B7 $\varnothing 8 \times 30$  x16	K1 $\varnothing 15 \times 12$  x8	G20 5X13  x8	H11  x2
--	--	---	--

x8

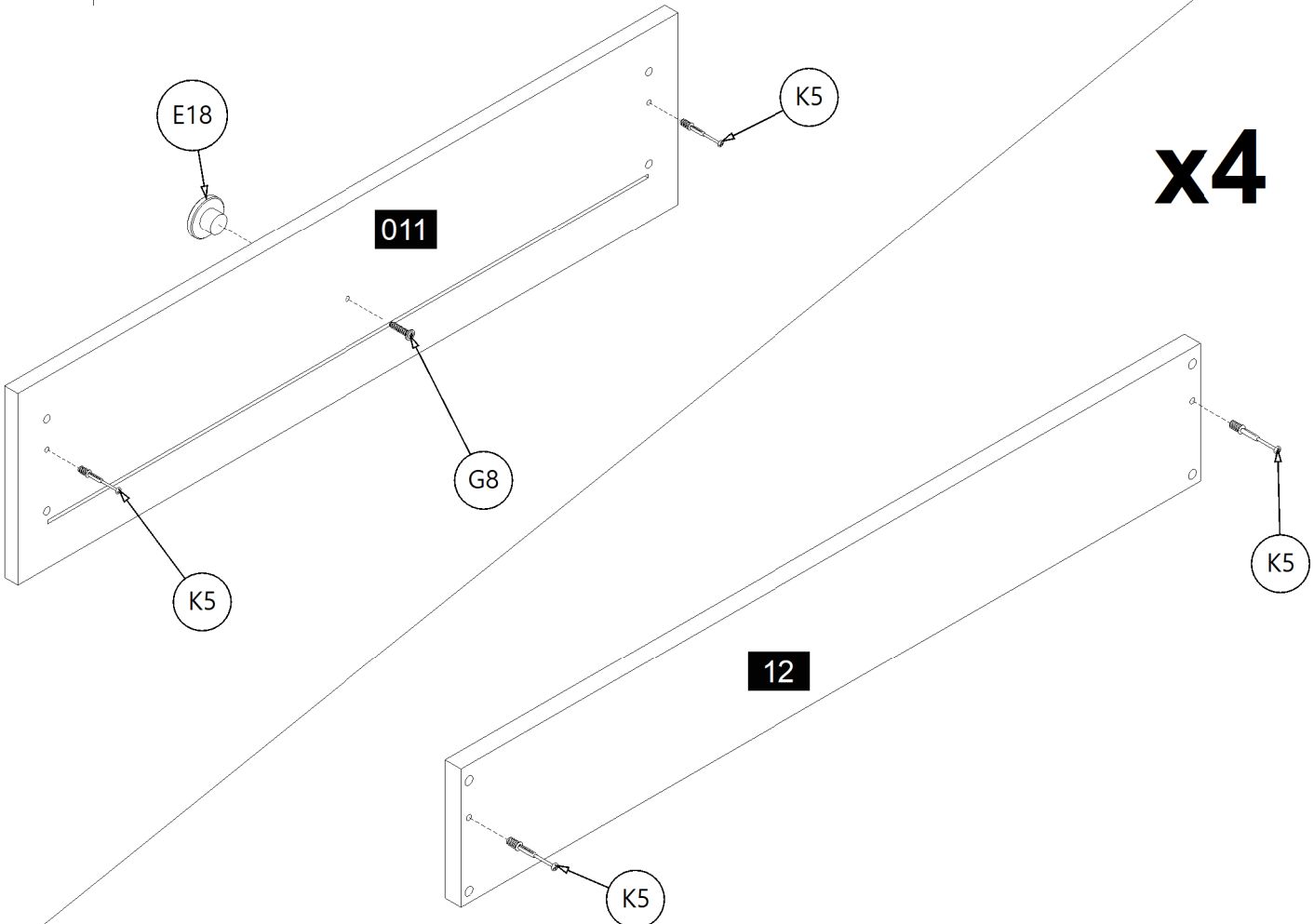


12

K5  x8	G8  x2	E18  x2	011  x2
---	---	--	--

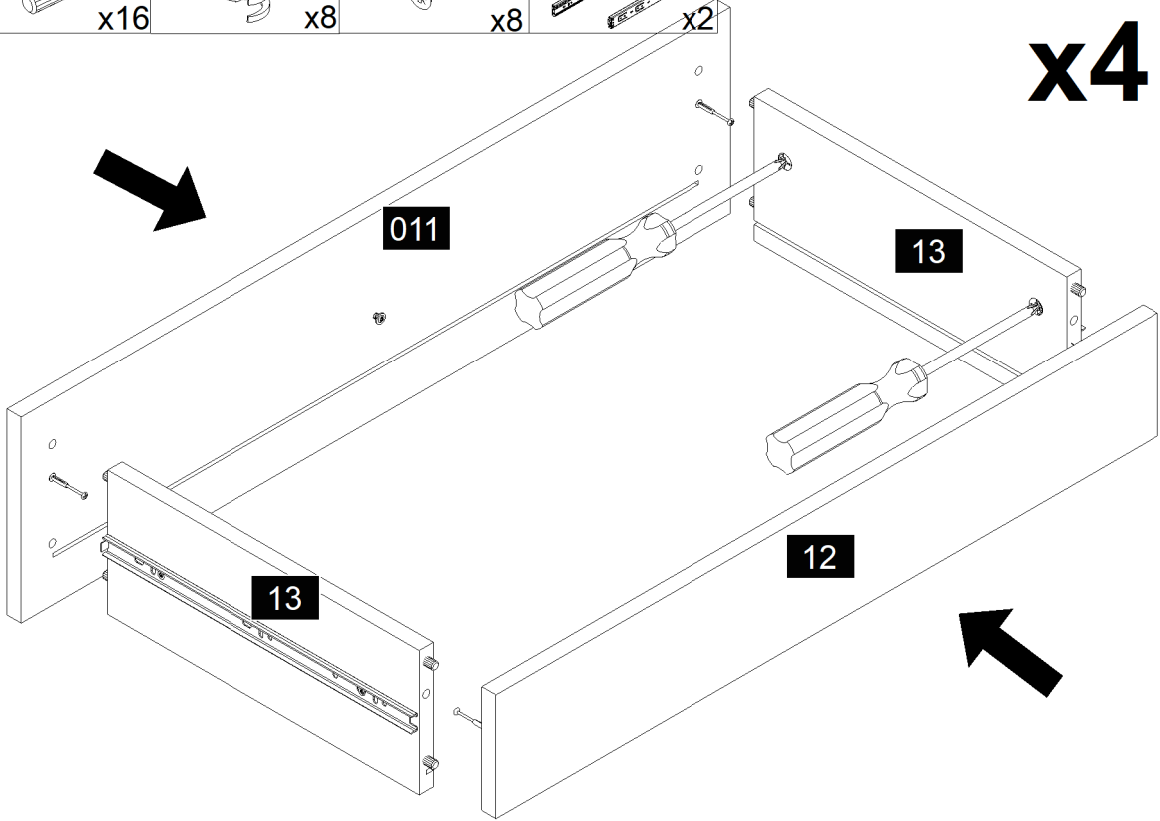
x4

x4



13

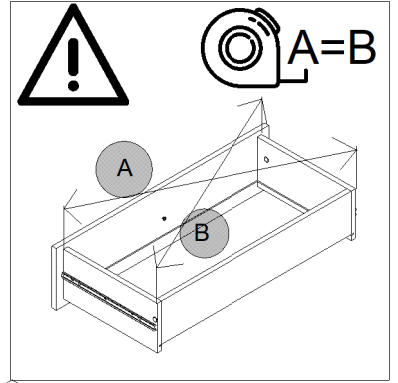
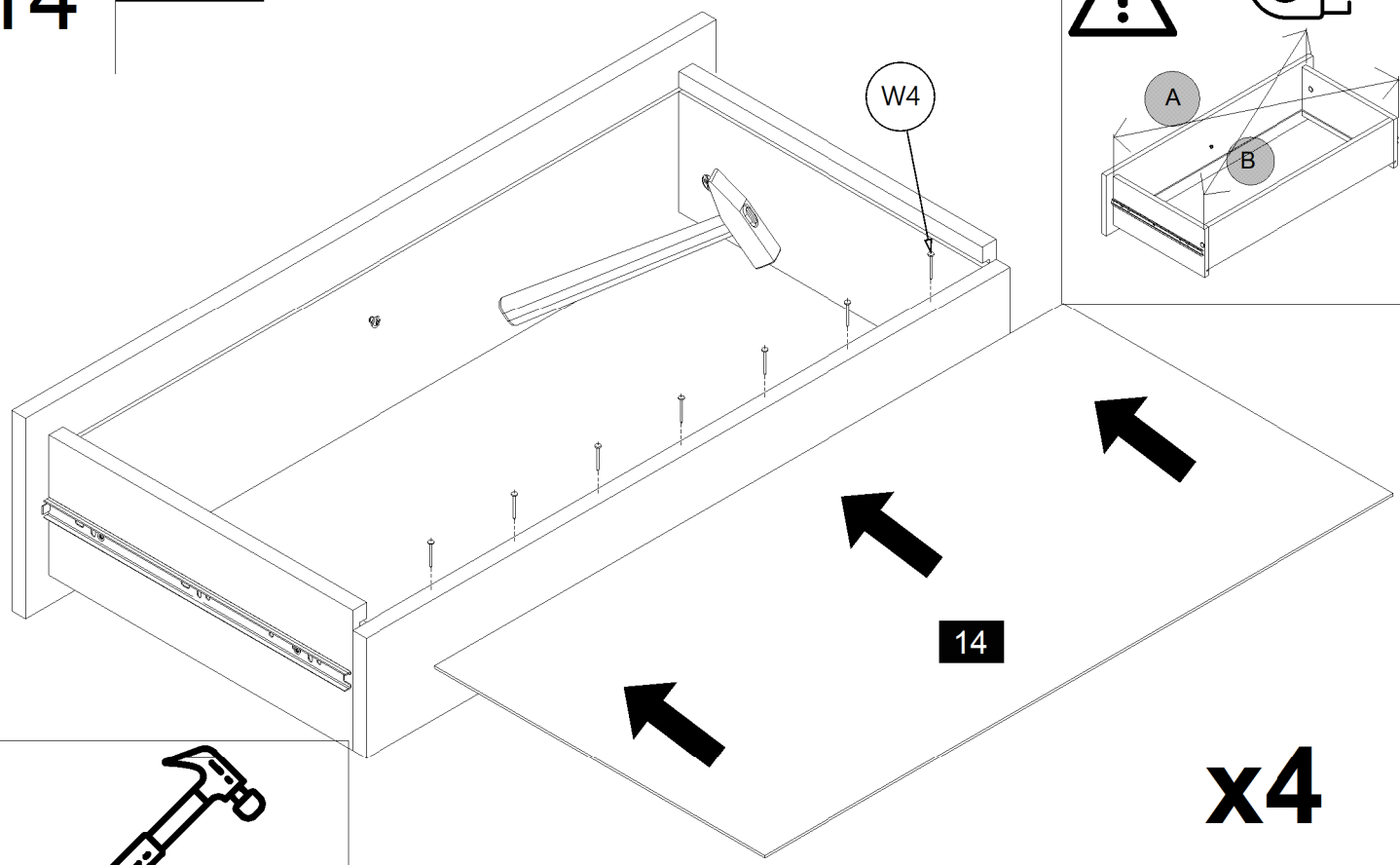
- B7 Ø8X30 x16
- K1 Ø15X12 x8
- G20 5X13 x8
- H11 x2



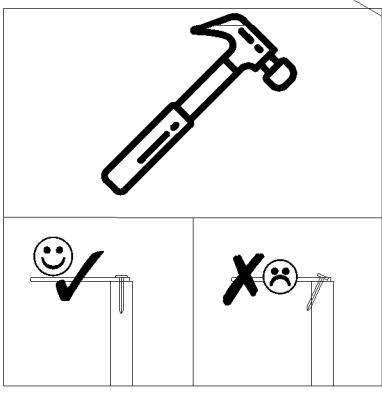
x4

14

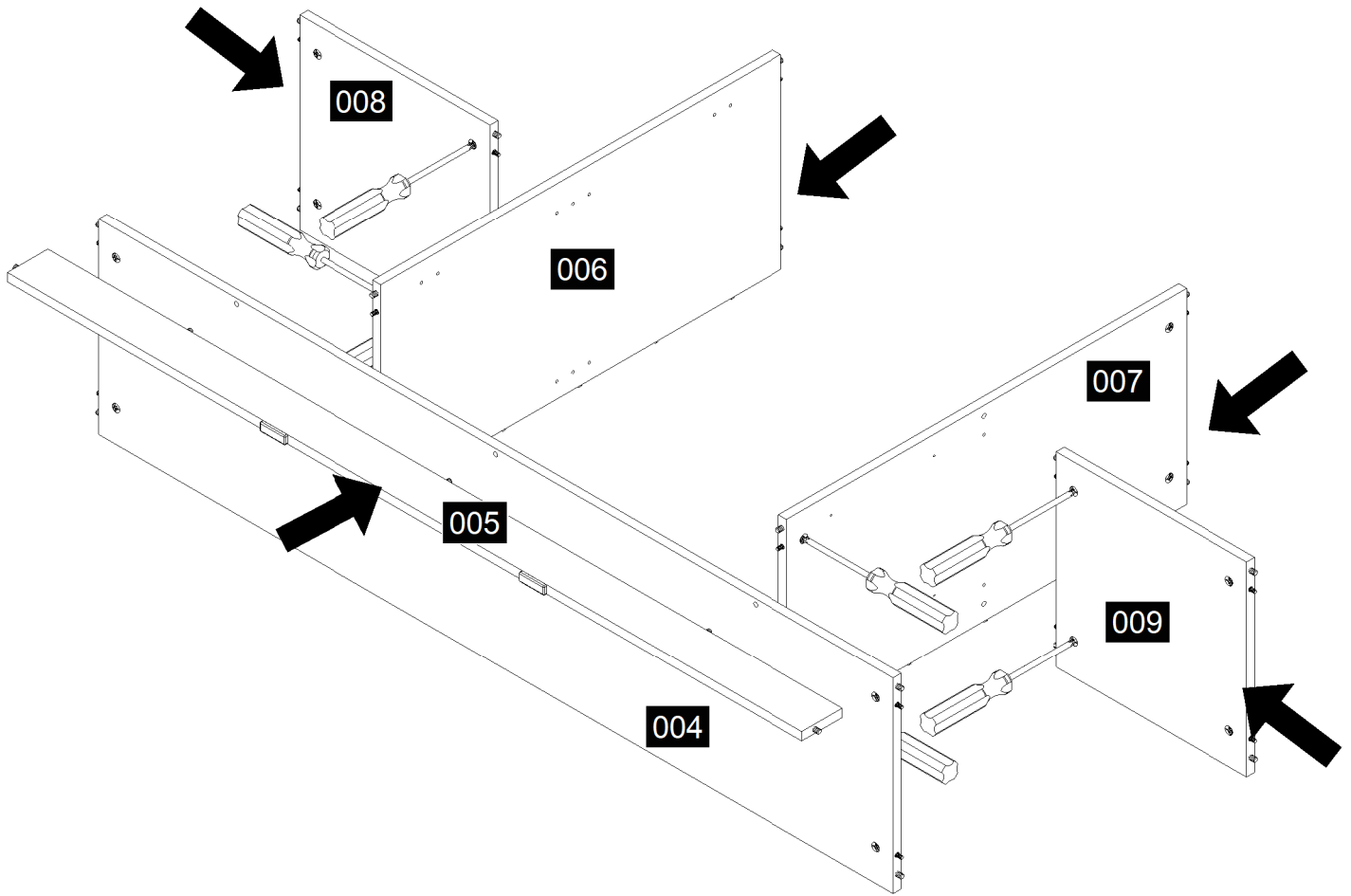
- W4 x28



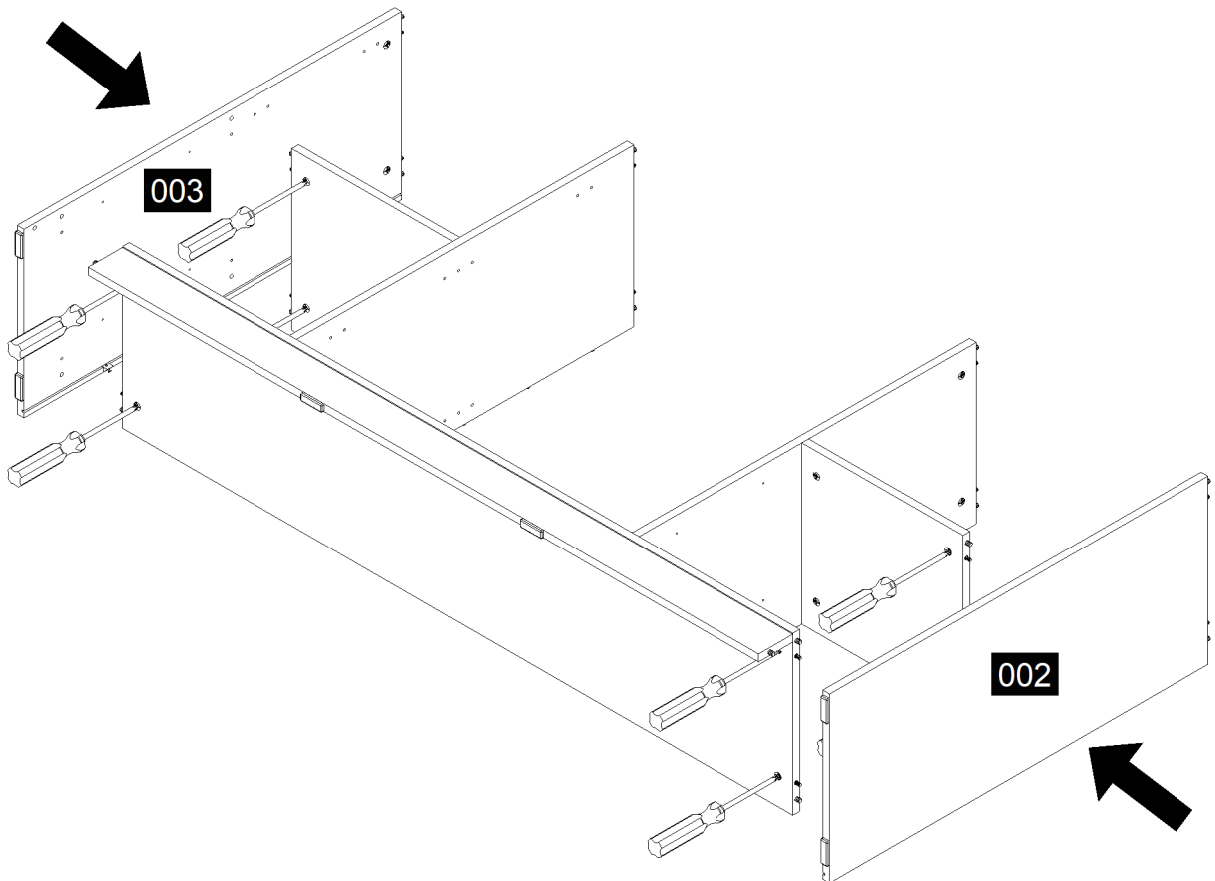
x4



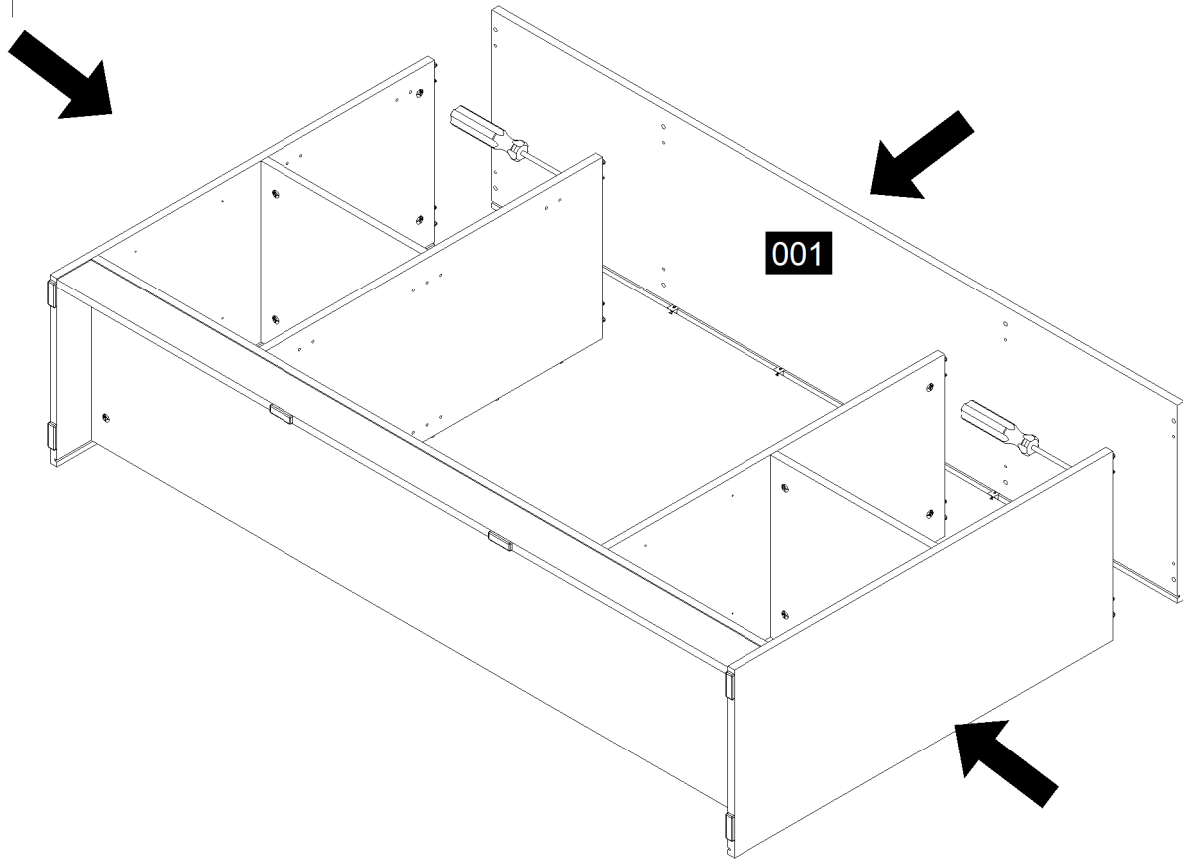
15



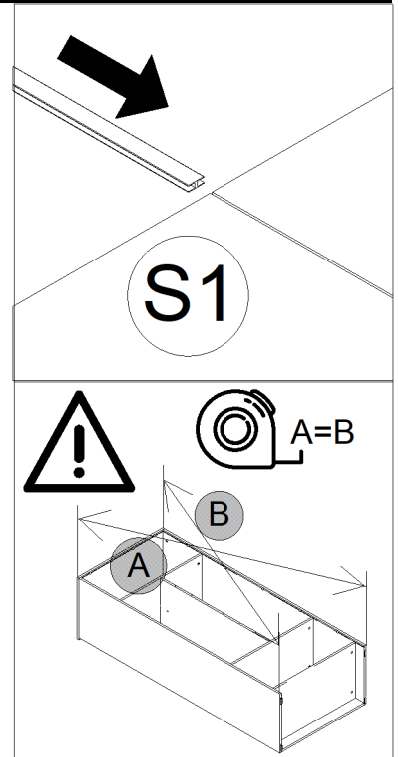
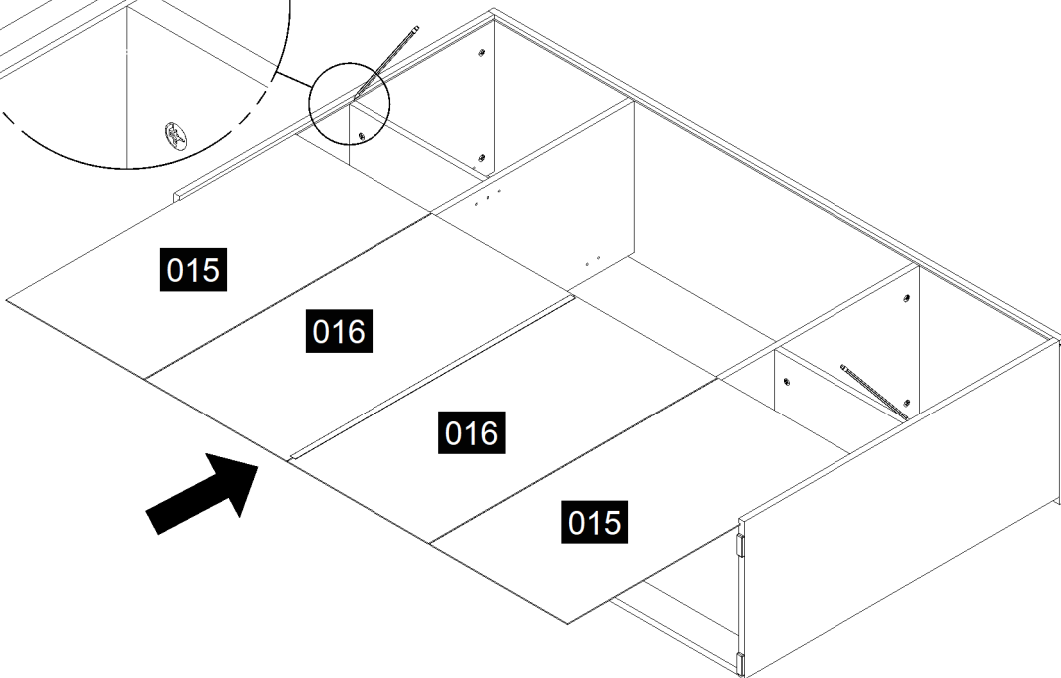
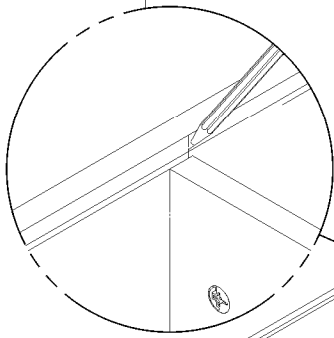
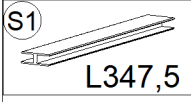
16



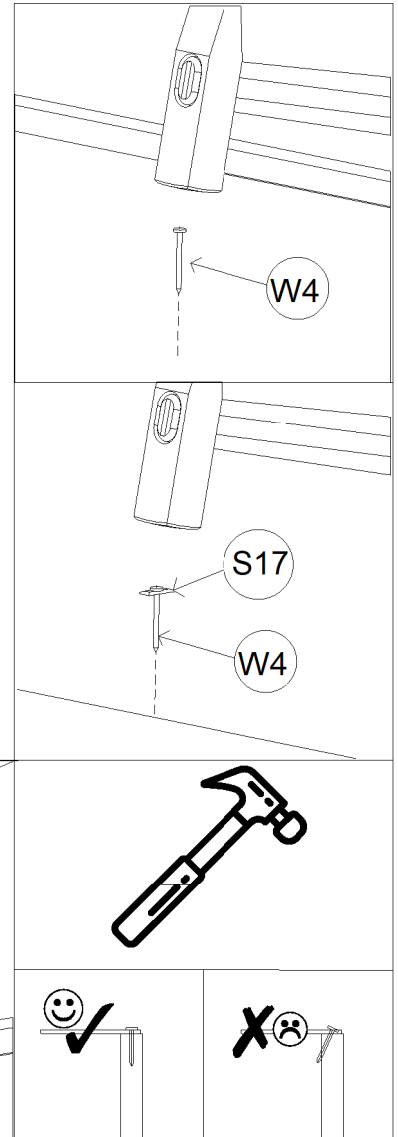
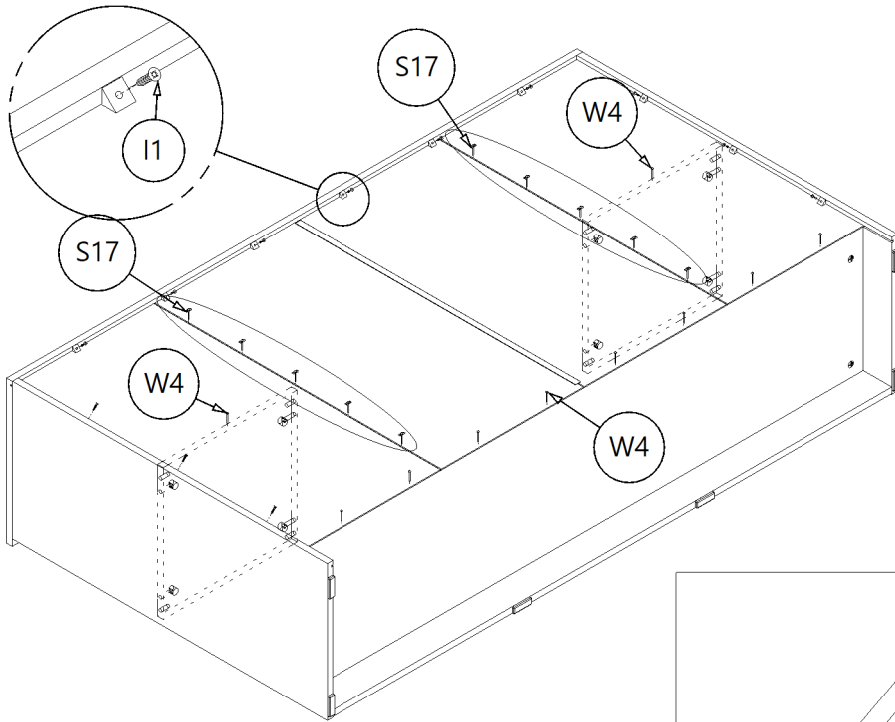
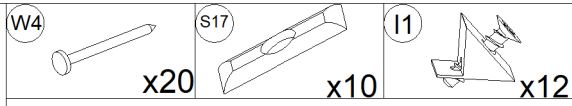
17



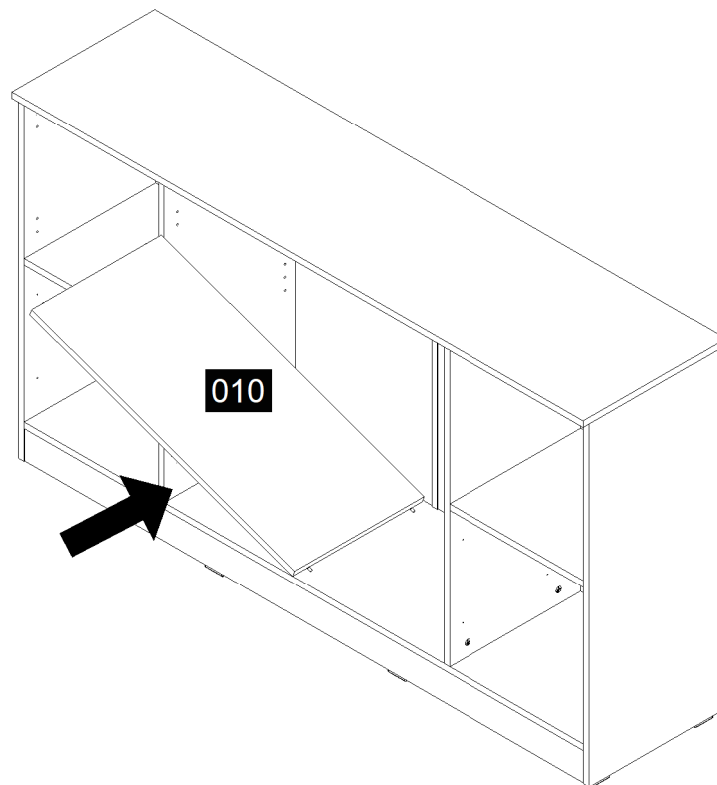
18



19



20



21

