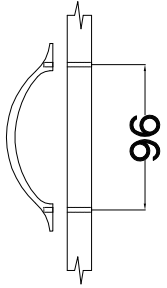
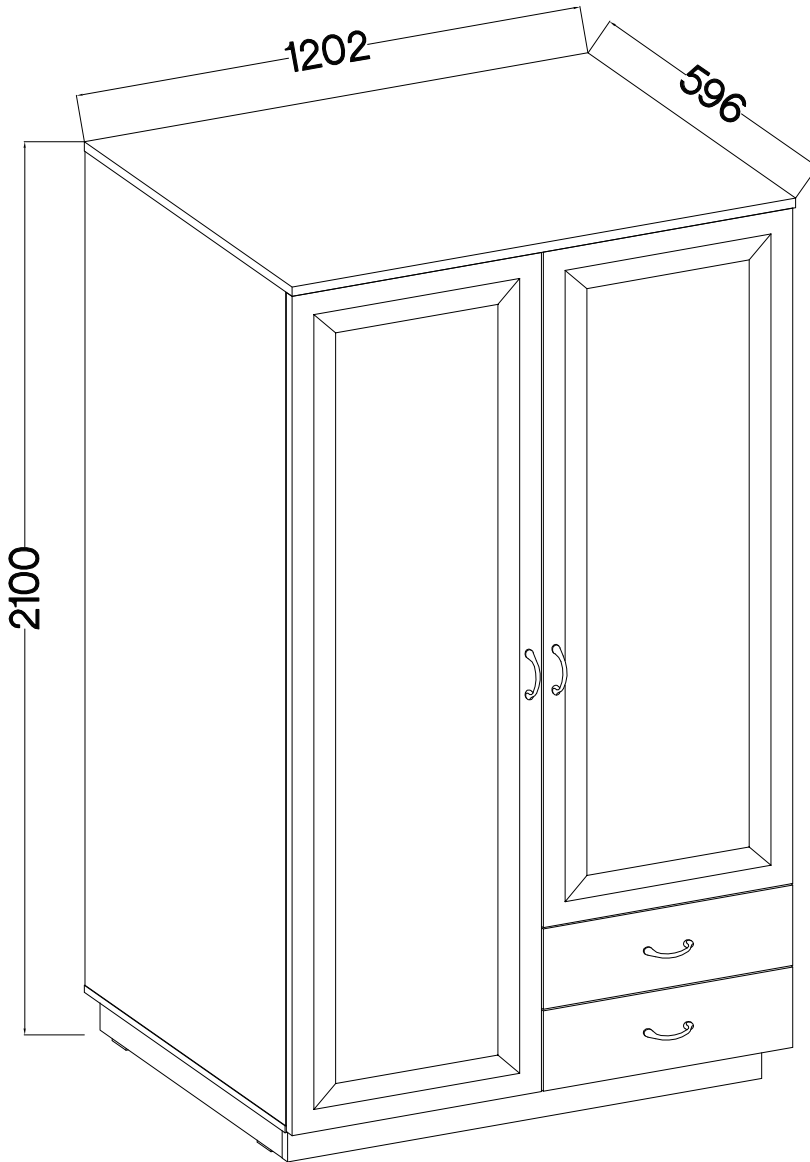
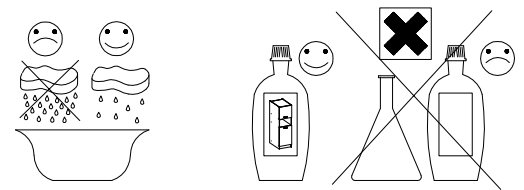


120 min

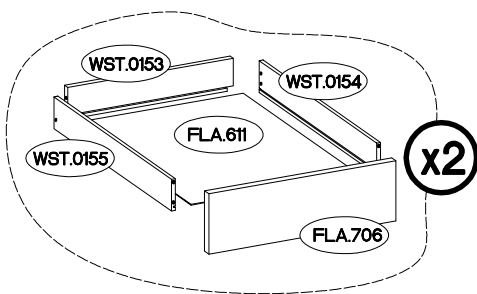
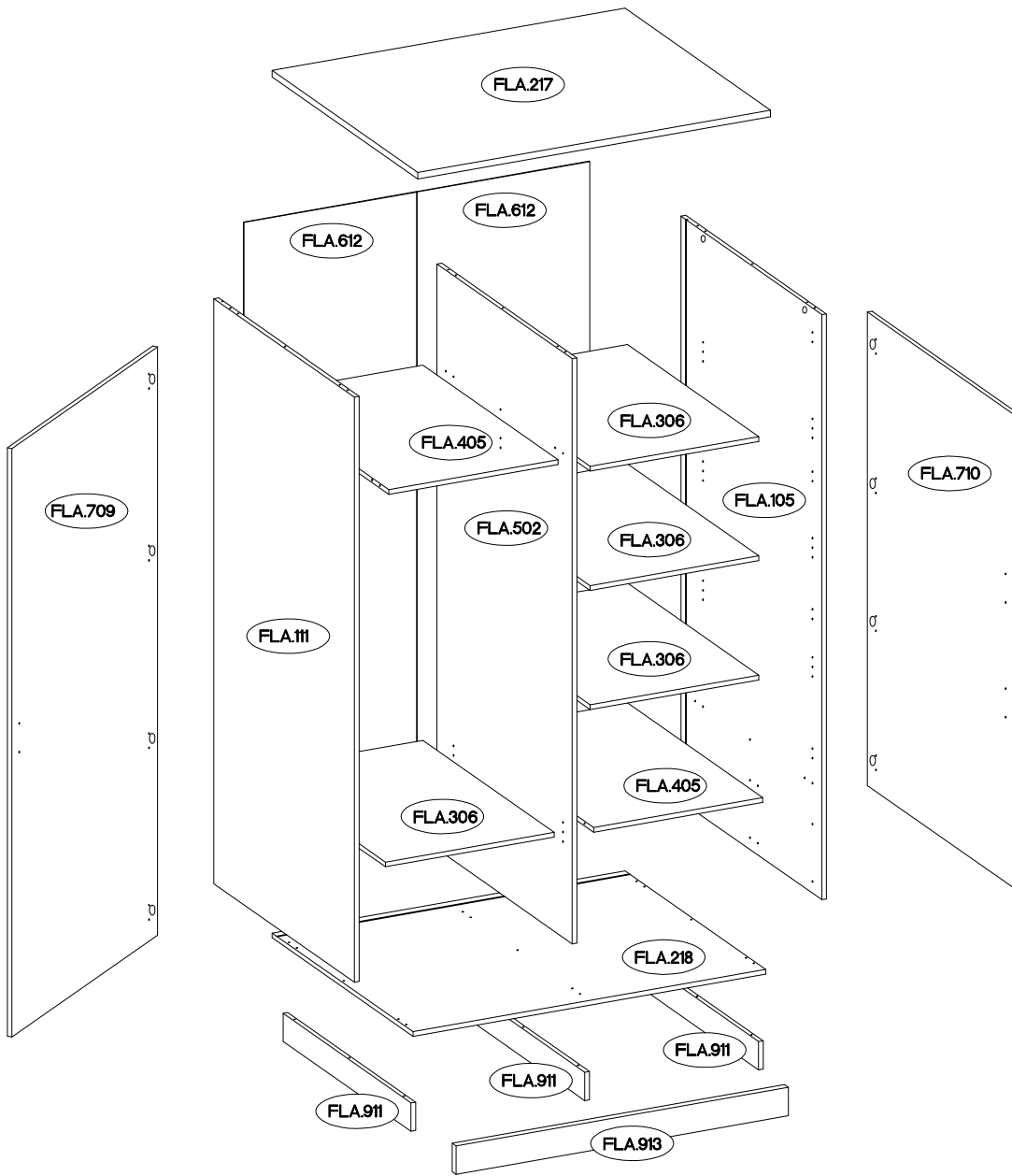
TYP 612



†8x30mm A	6,4 x 50mm B	†6x42mm B2
47	6	4

†15/12mm C	†12/10mm C5	L=20mm D2	 E	 E1	†15x5mm F4	6.5x48x16 F22	†35/0mm HG	 L=450mm	 I11	L=570mm J2
14	4	18	14	4	1	6	8	2	1	1
†5/16mm J3	†20/8mm J14	 J17	 L	 L2	 L19	†6.3x13mm M2	†6.3x20mm M3	 O	 O1	†10x50mm O7
16	6	2	22	12	1	6	6	1	1	1
†4.0x16mm P1	†3.5x13mm P5	†3.0x20mm P7	†5.0x60mm P12	 S	 T3	M4x22mm U				
10	20	20-25	1	4	5	8				

ISM-FLA-13



Colli	Ersatzteil Nummer	Dimension
Colli 2/4	FLA.217	1202x596x22
	FLA.218	1202x576x16
	FLA.913	1132x95x16

Colli	Ersatzteil Nummer	Dimension
Colli 3/4	FLA.105	1962x576x16
	FLA.111	1962x576x16
	FLA.502	1962x554x16
	FLA.612 x2	1971x588x2,5

Colli	Ersatzteil Nummer	Dimension
Colli 4/4	FLA.706 x2	189x596x16
	FLA.709	1973x596x16
	FLA.710	1588x596x16

Colli	Ersatzteil Nummer	Dimension
Colli 1/4	FLA.306 x4	575x538x16
	FLA.405 x2	576x553x16
	FLA.611 x2	446x537x2,5
	FLA.911 x3	524x95x16
	WST.0154 x2	450x100x12
	WST.0155 x2	450x100x12
	WST.0153 x2	527x100x12




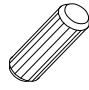

FLA.611

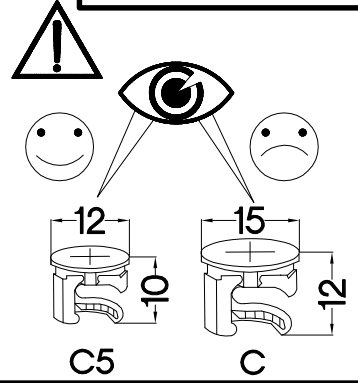
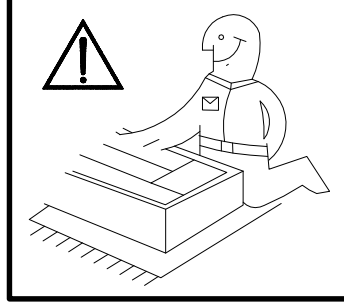
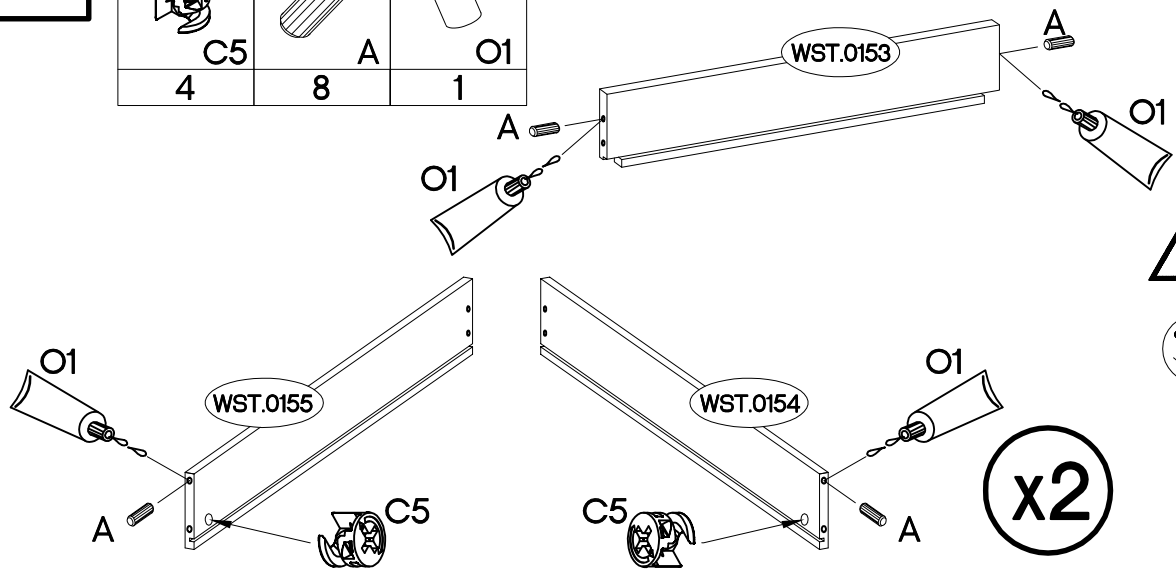


FLA.306

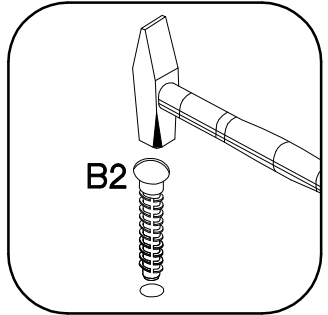
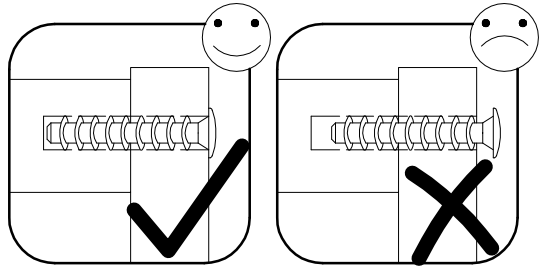
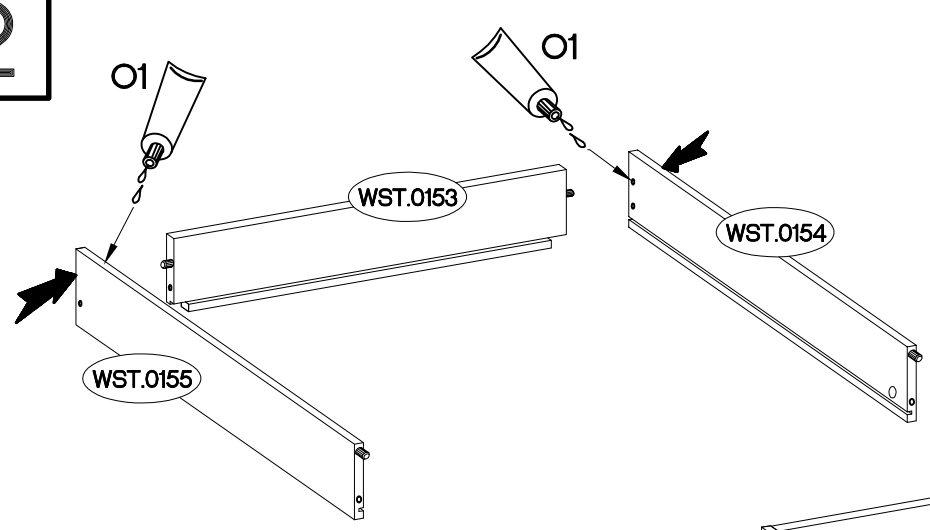
FLA.405



1

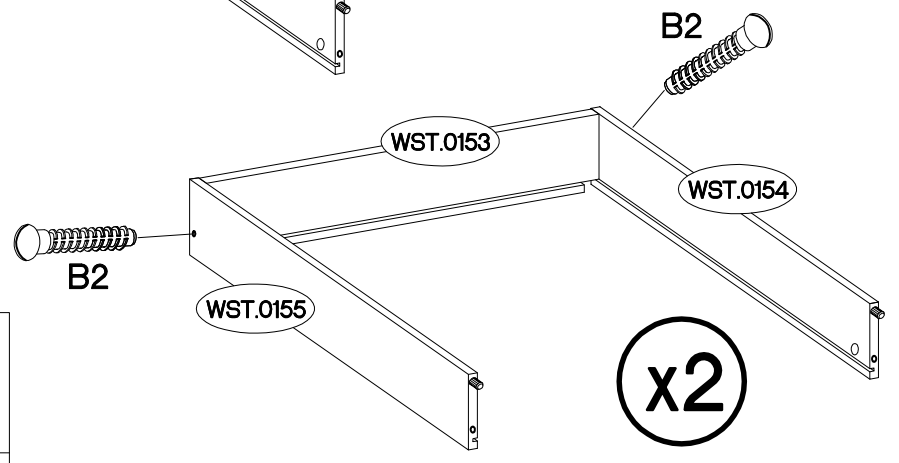
#2/10mm  C5 4	#8x30mm  A 8	 O1 1
--	---	---




2

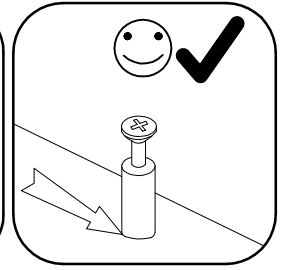
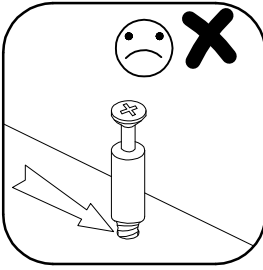
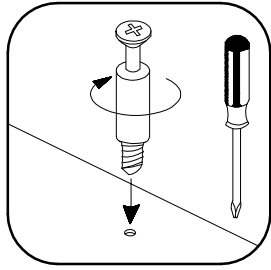
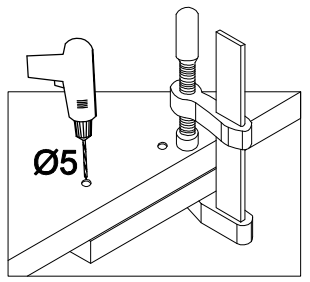
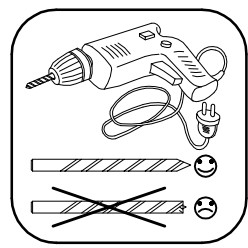
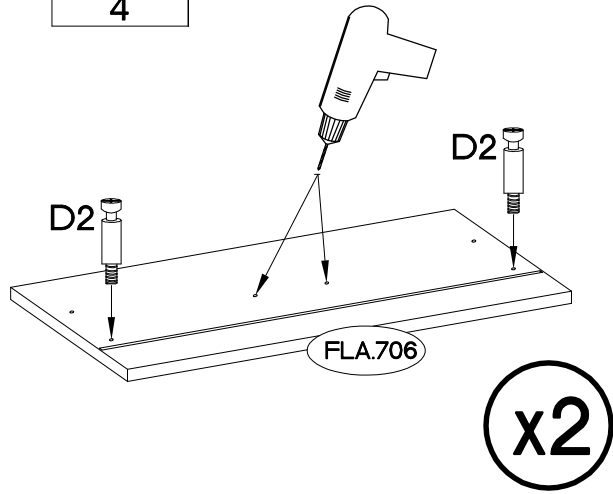


#6x42mm  B2 4	 O1 1
---	--

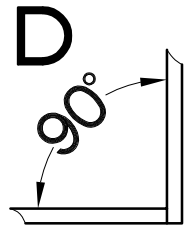
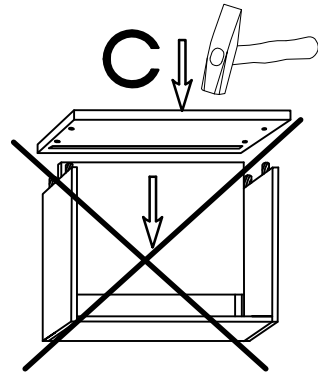
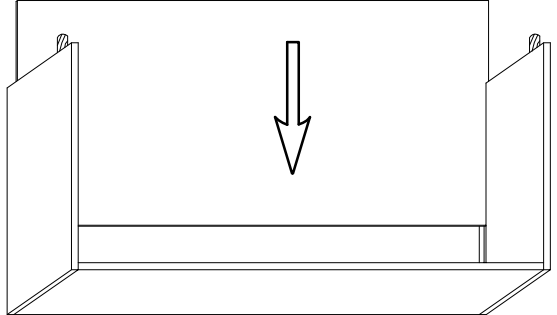
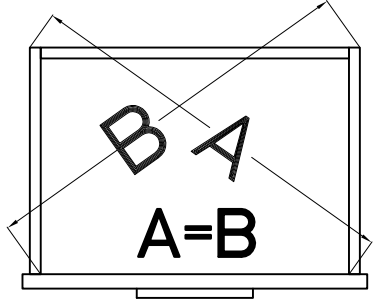
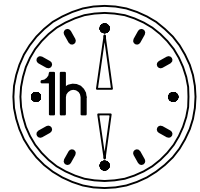
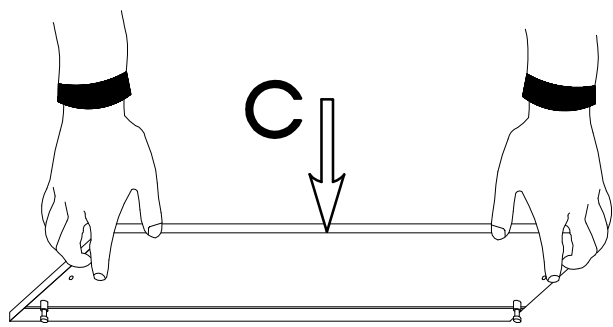
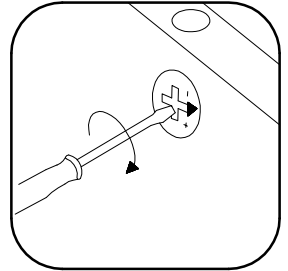
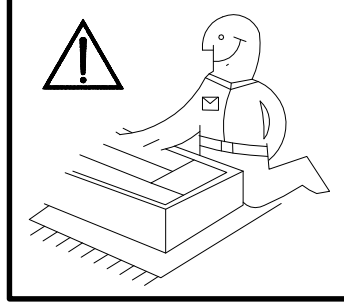
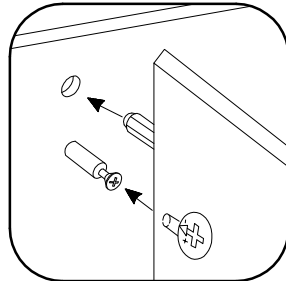
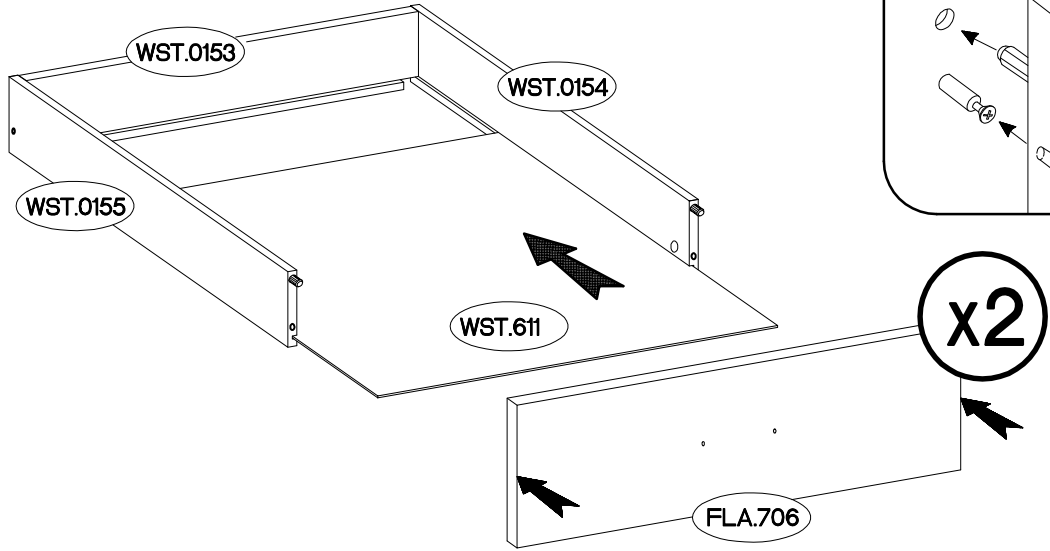


3

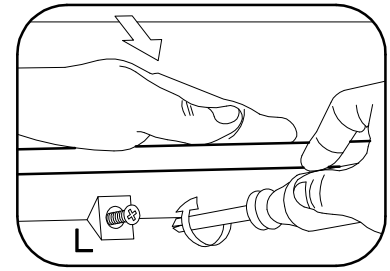
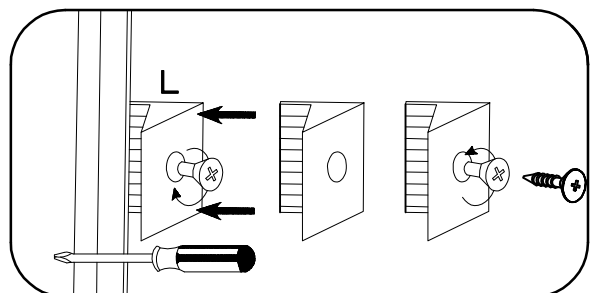
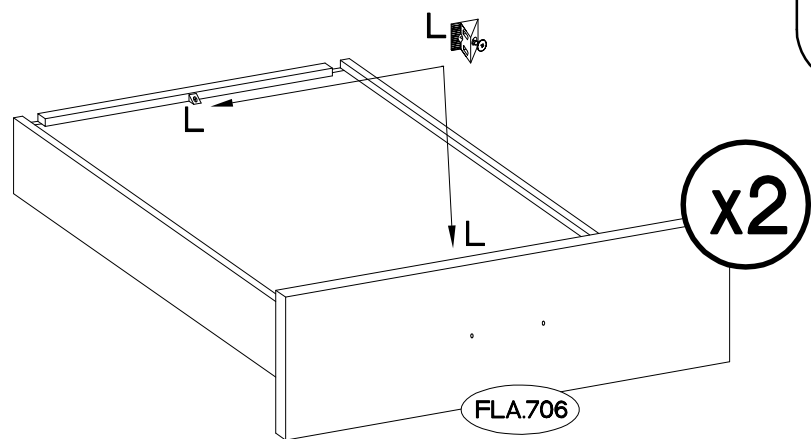
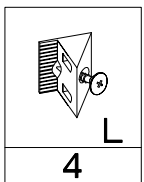
L=20mm  D2 4
--

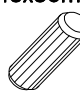


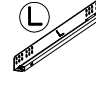




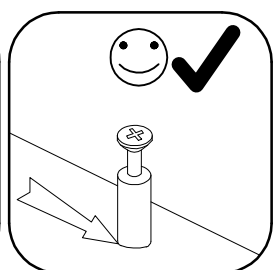
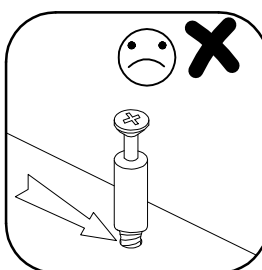
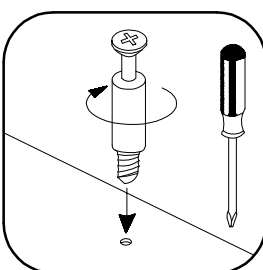
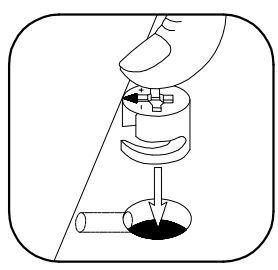
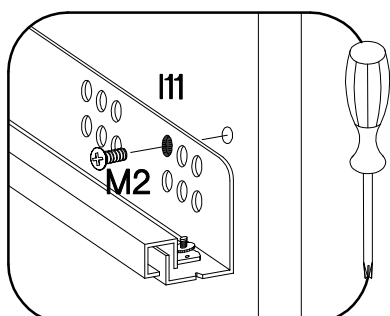
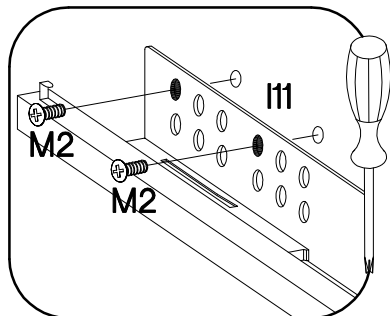
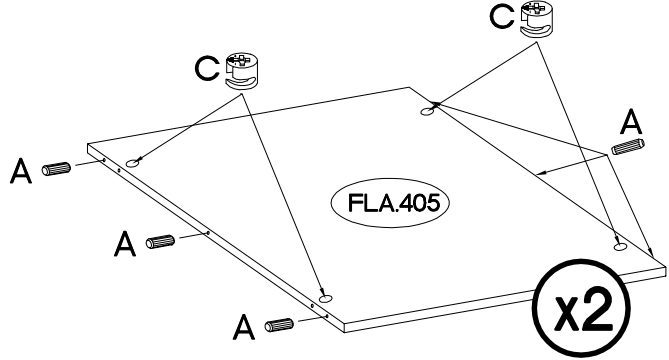
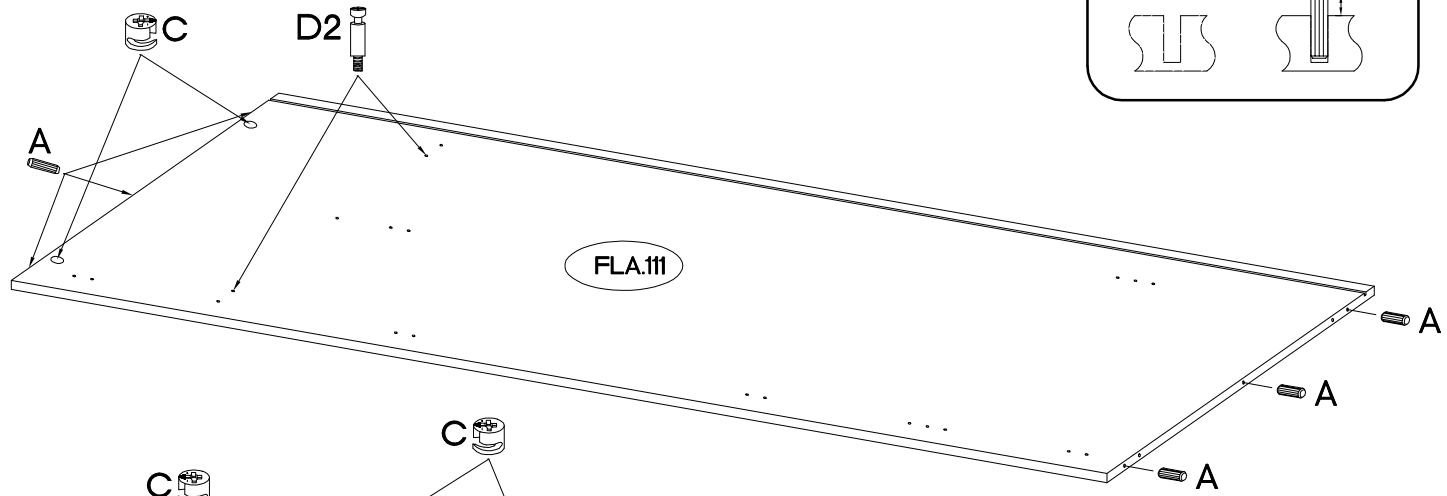
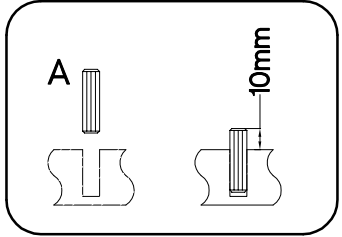
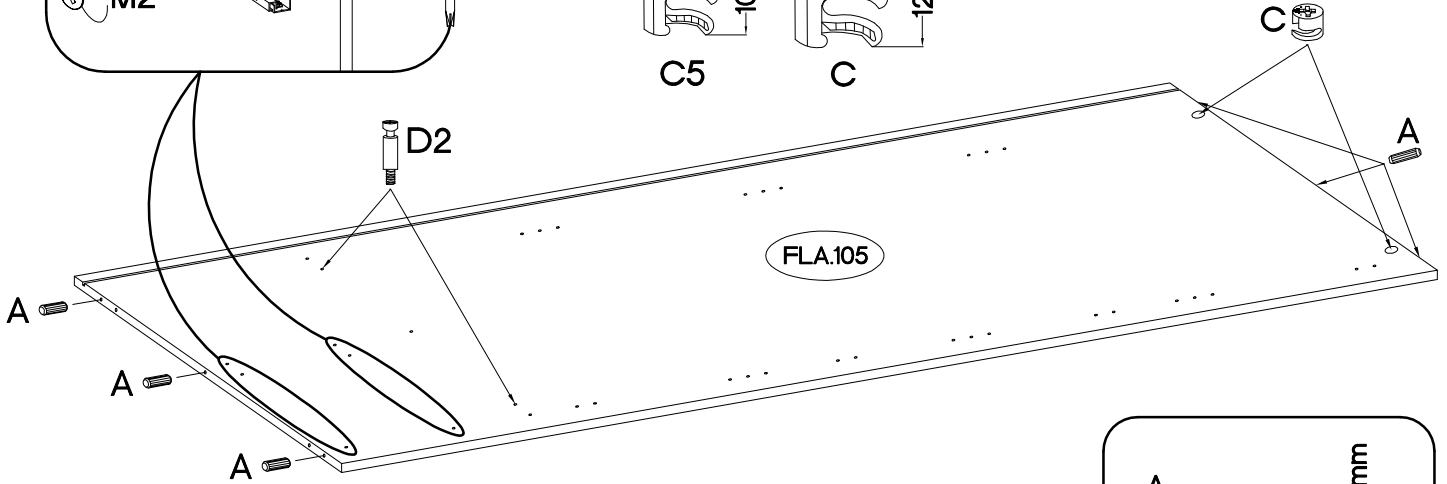
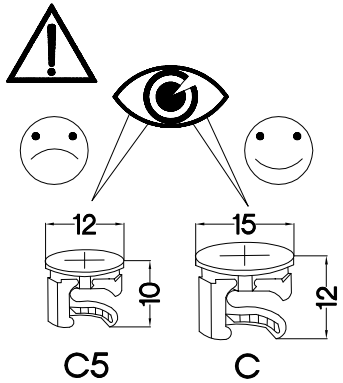
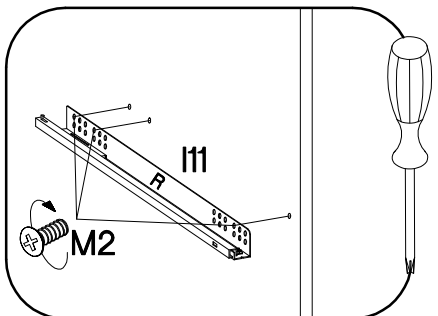
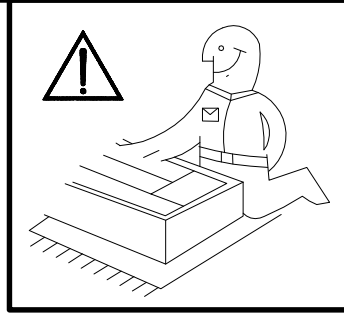
4



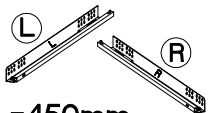

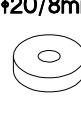



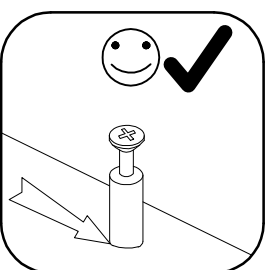
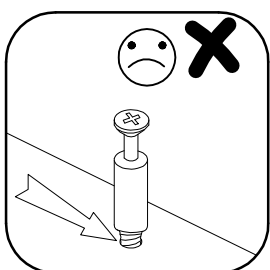
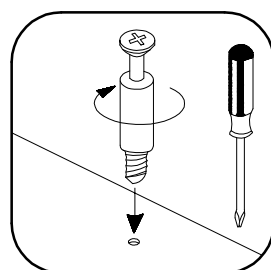
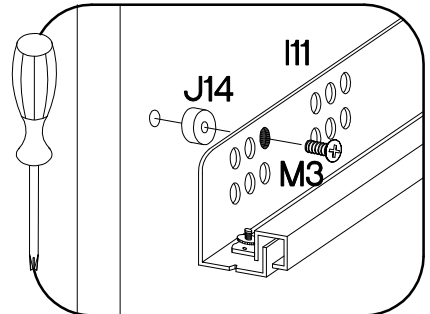
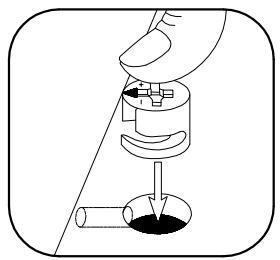
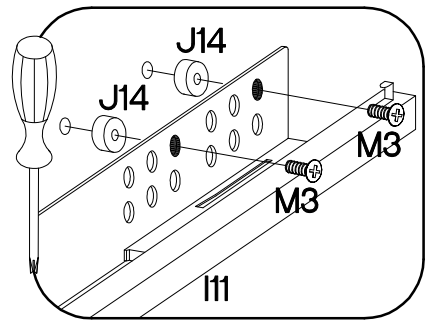
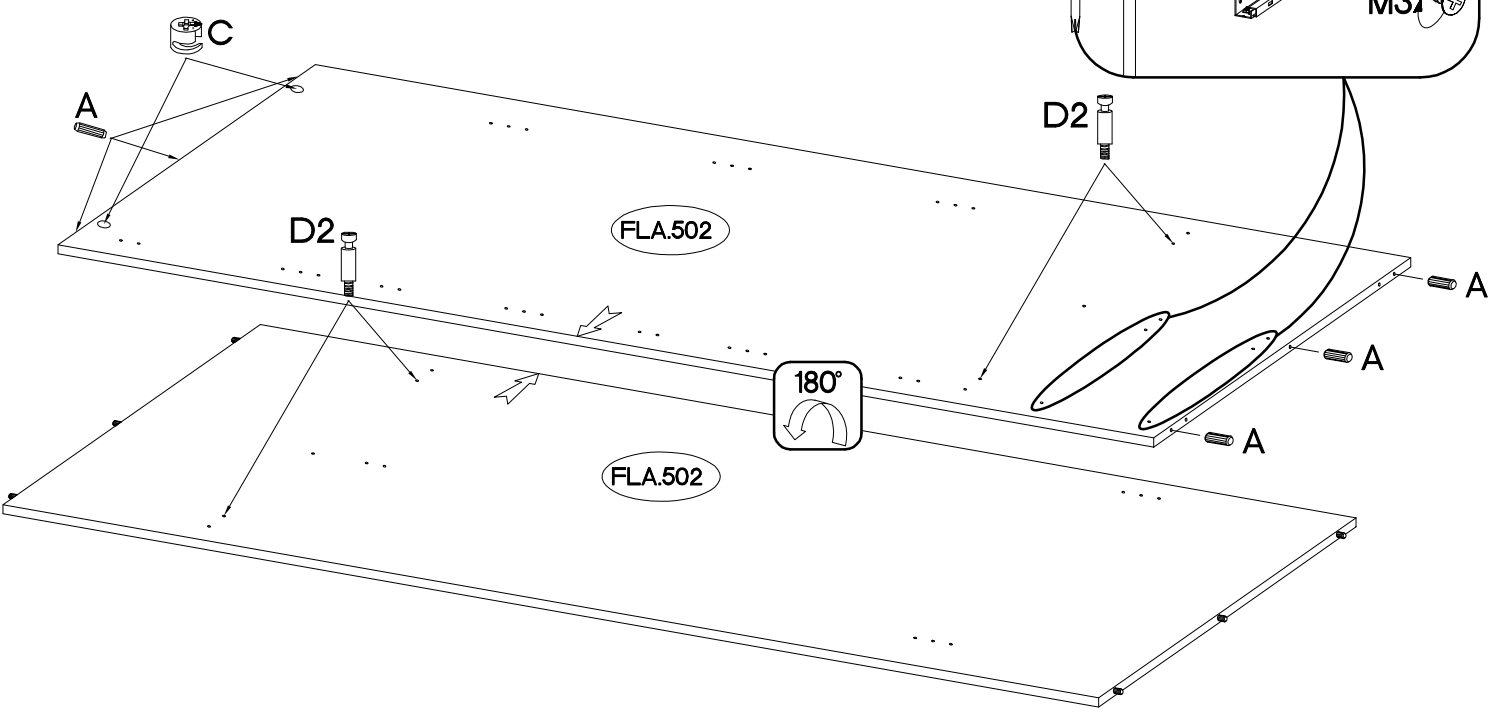
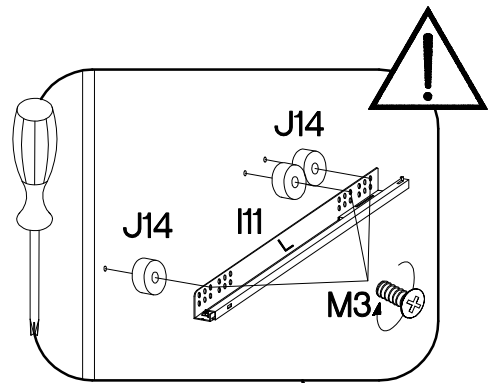
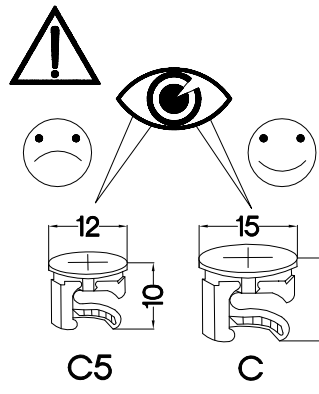
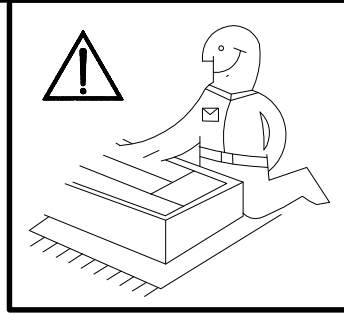
5



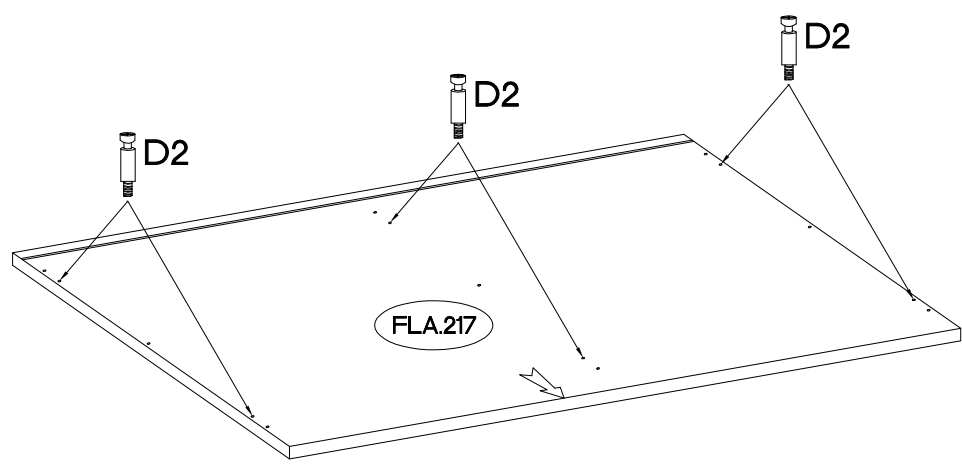
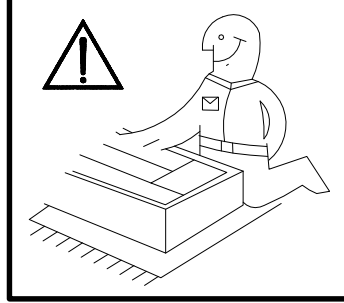
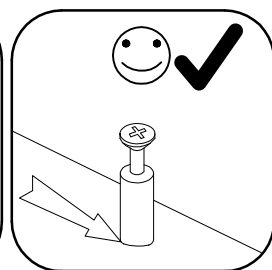
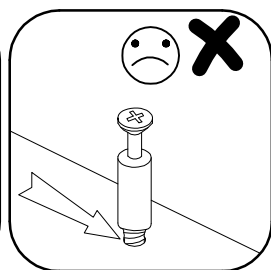
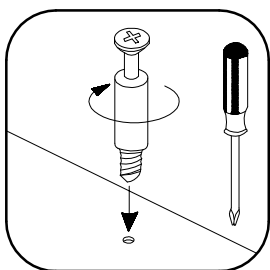
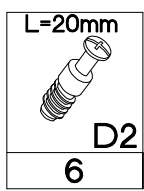
$\pm 8 \times 30 \text{mm}$  A 24	$\pm 15/12 \text{mm}$  C 12	L=20mm  D2 4	L=450mm  L  R I11 2	$\pm 6.3 \times 13 \text{mm}$  M2 6
--	--	---	---	--



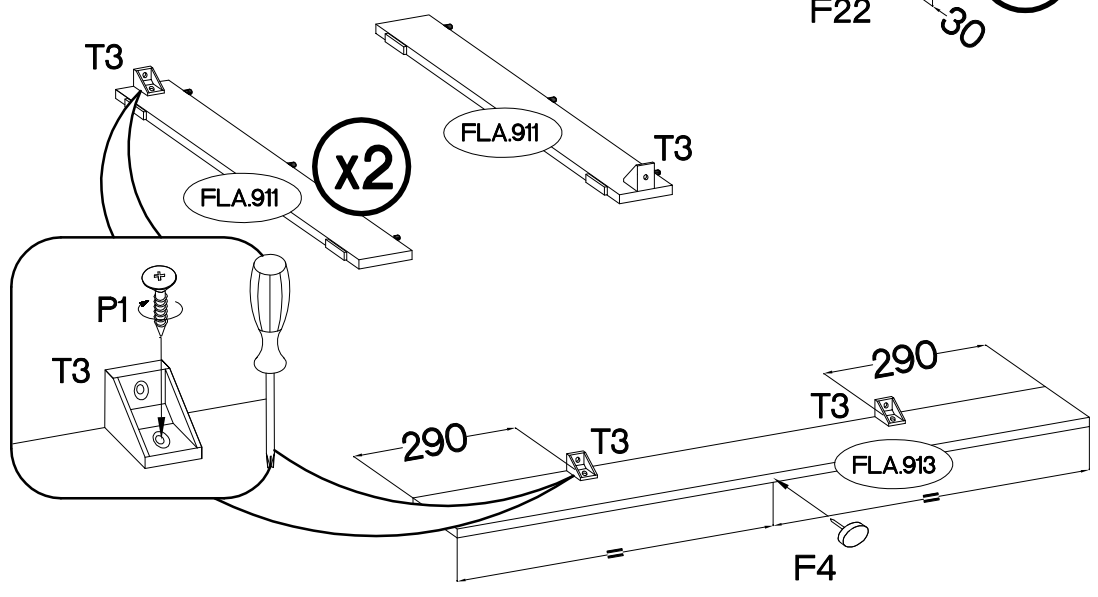
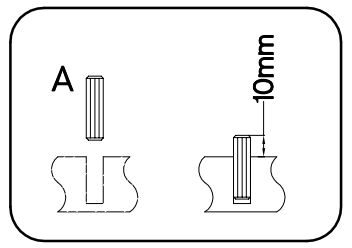
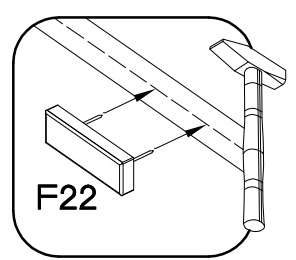
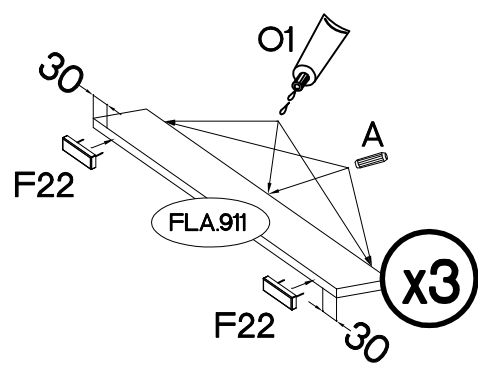
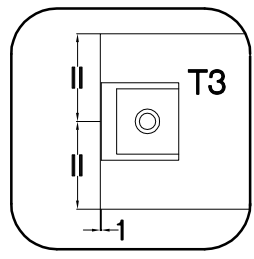
$\pm 8 \times 30 \text{mm}$  A	$\pm 15 / 12 \text{mm}$  C	$L = 450 \text{mm}$  L I11	$\pm 6.3 \times 20 \text{mm}$  M3	$\pm 20 / 8 \text{mm}$  J14	$L = 20 \text{mm}$  D2
6	2	2	6	6	4



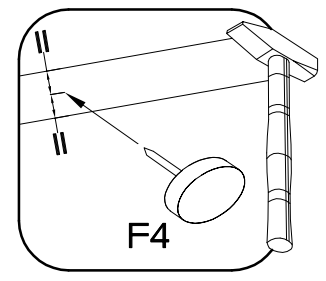
8



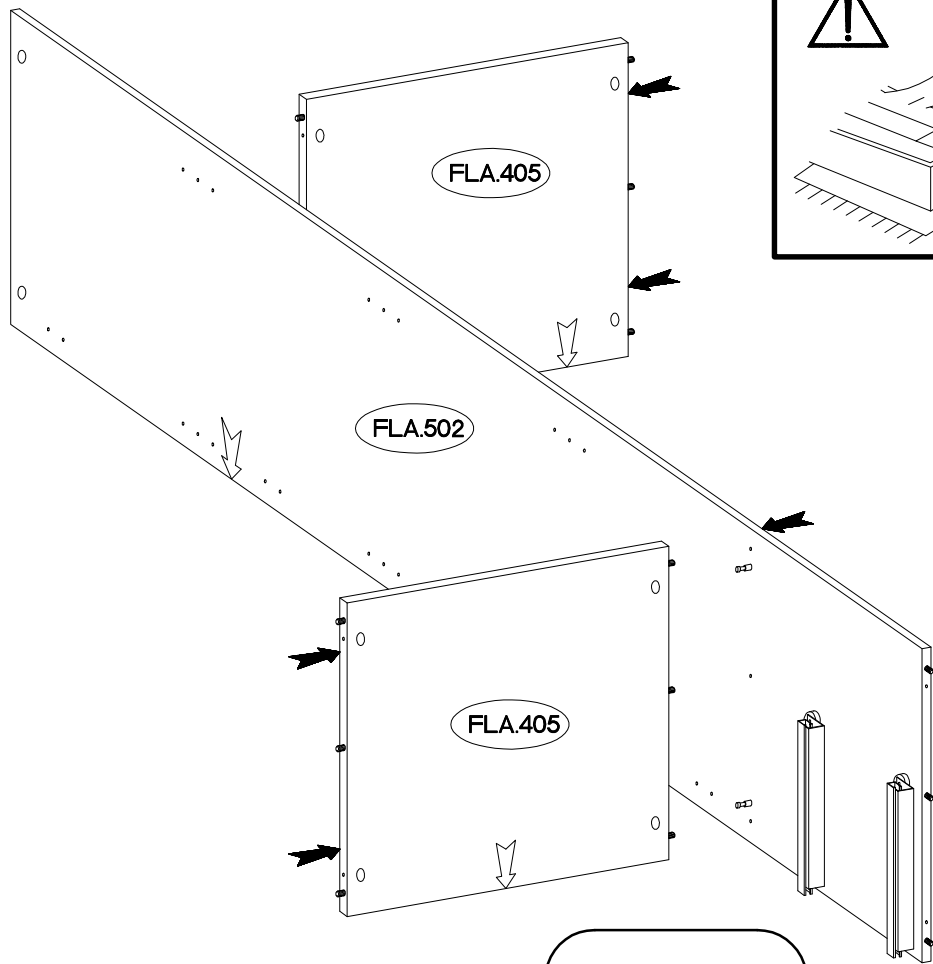
9



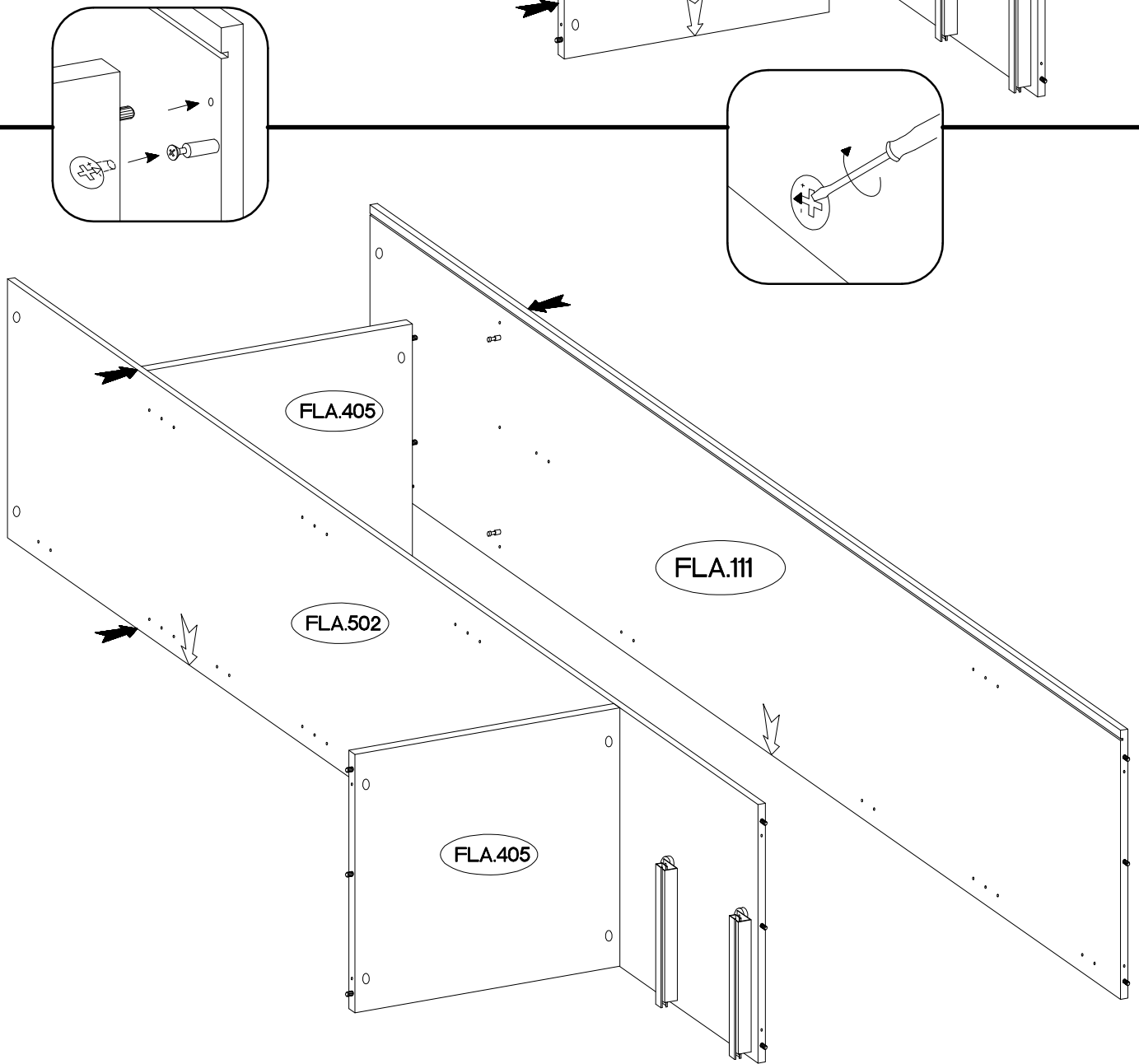
T3	P1	F22	F4	O1	A
5	5	6	1	1	9



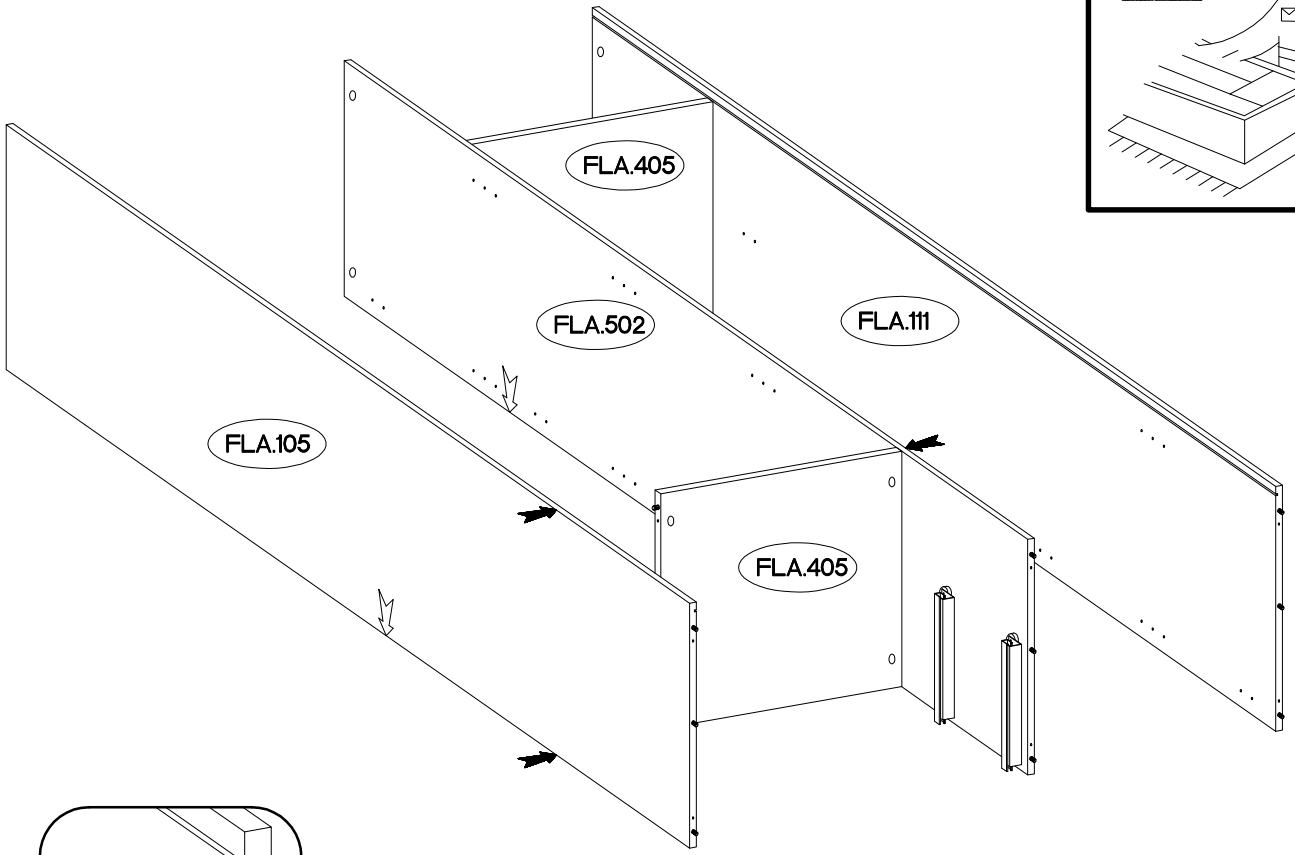
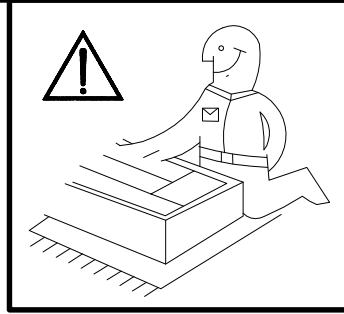
10



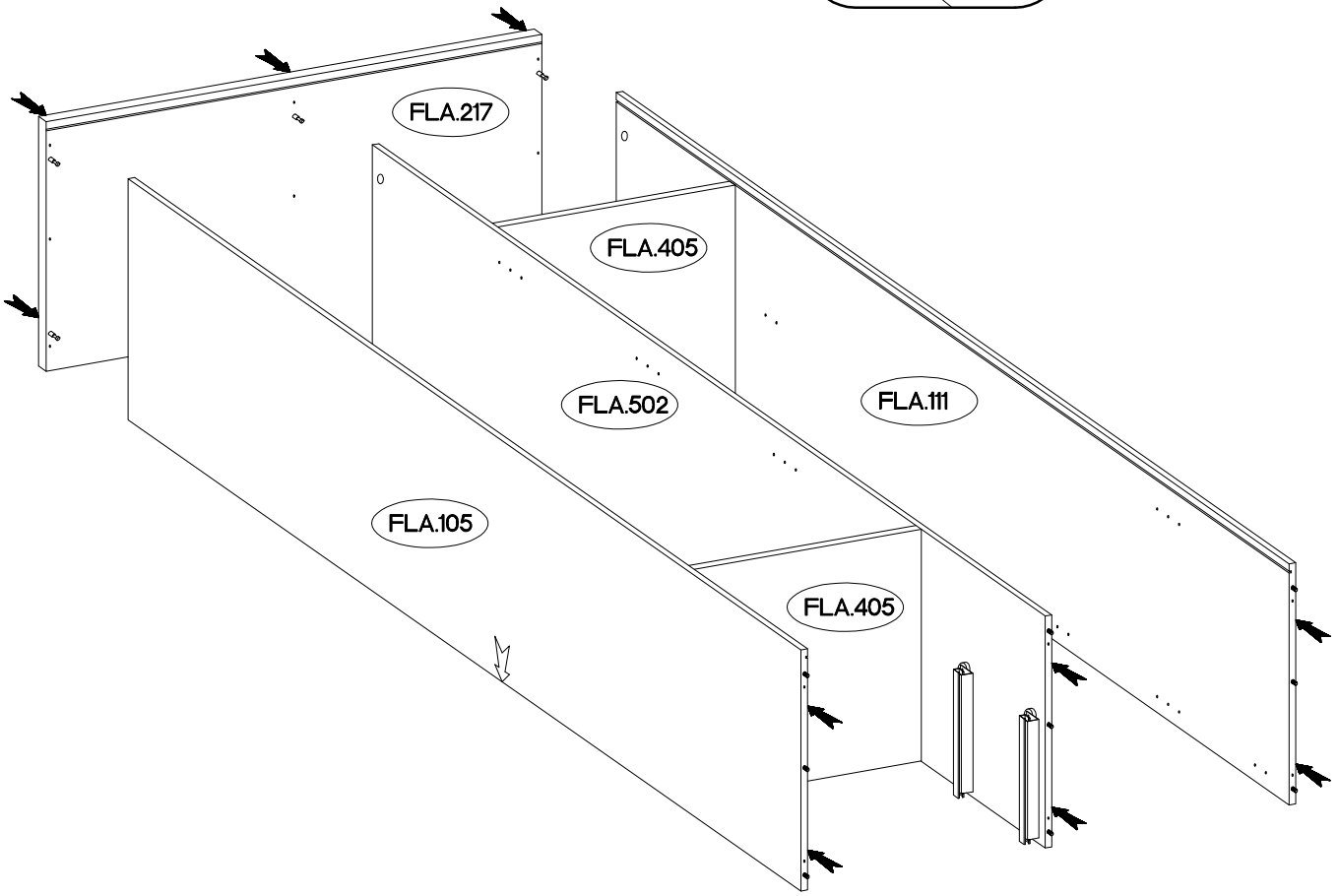
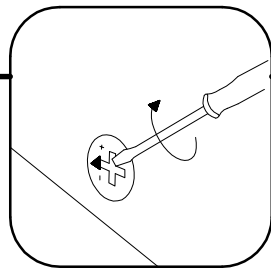
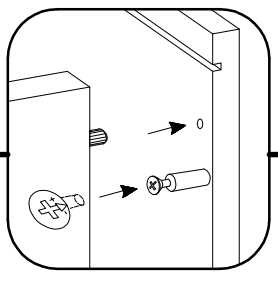
11

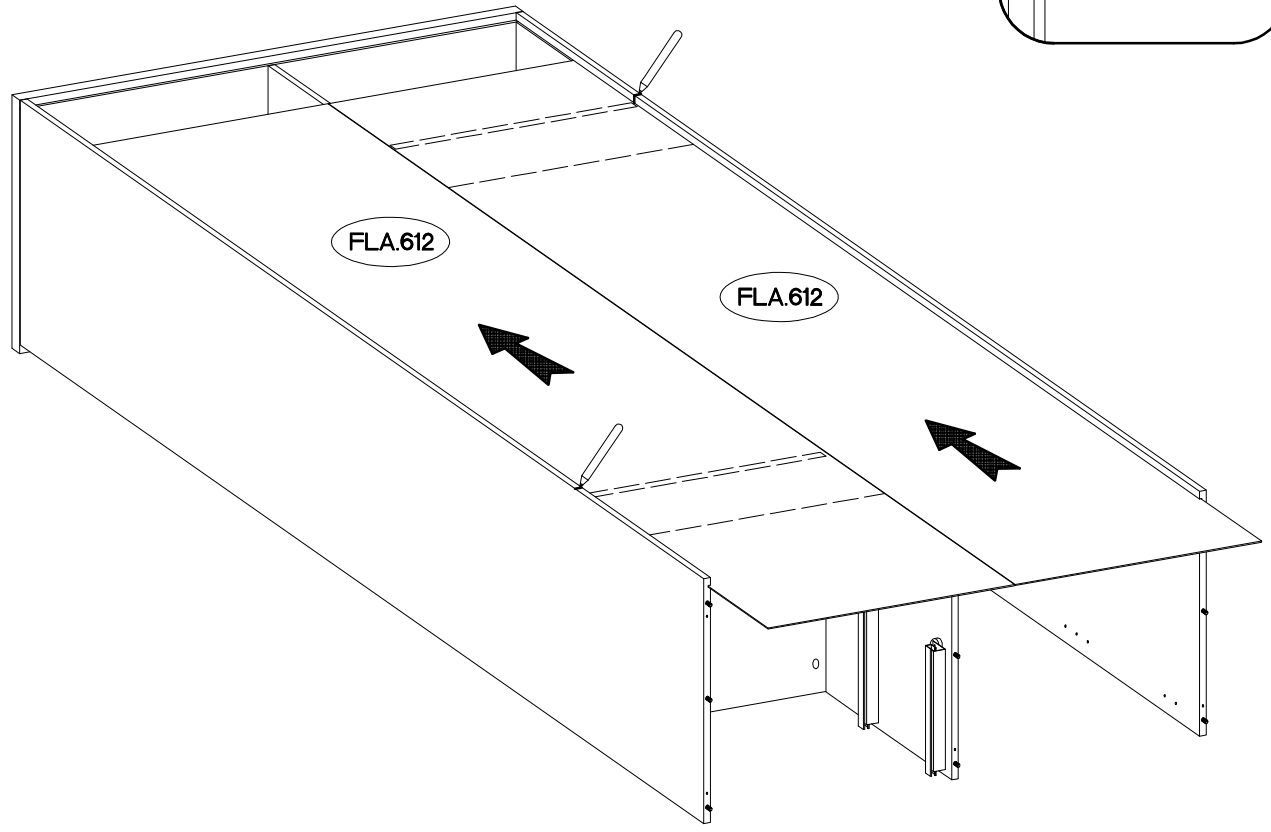
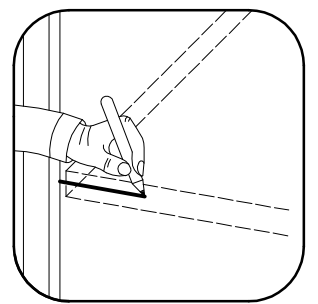
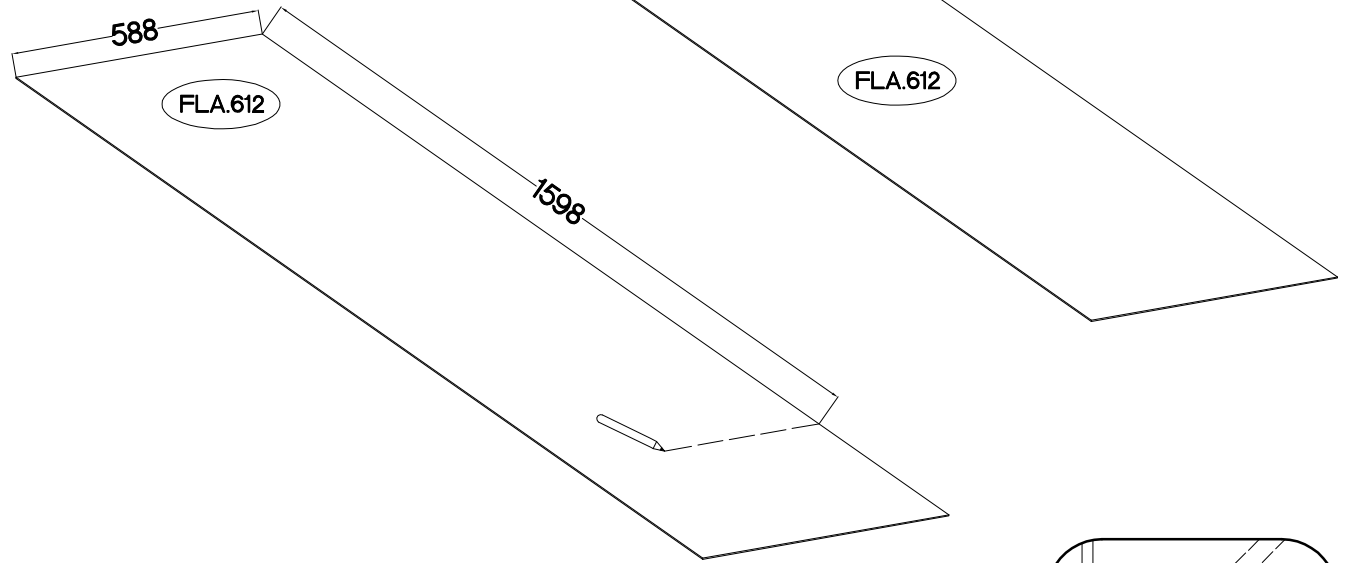
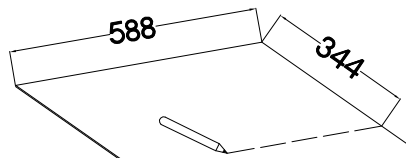
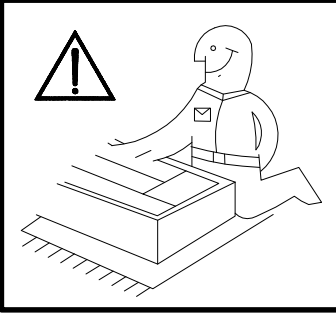


12

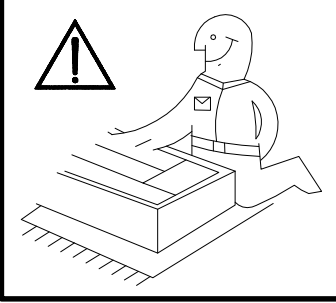
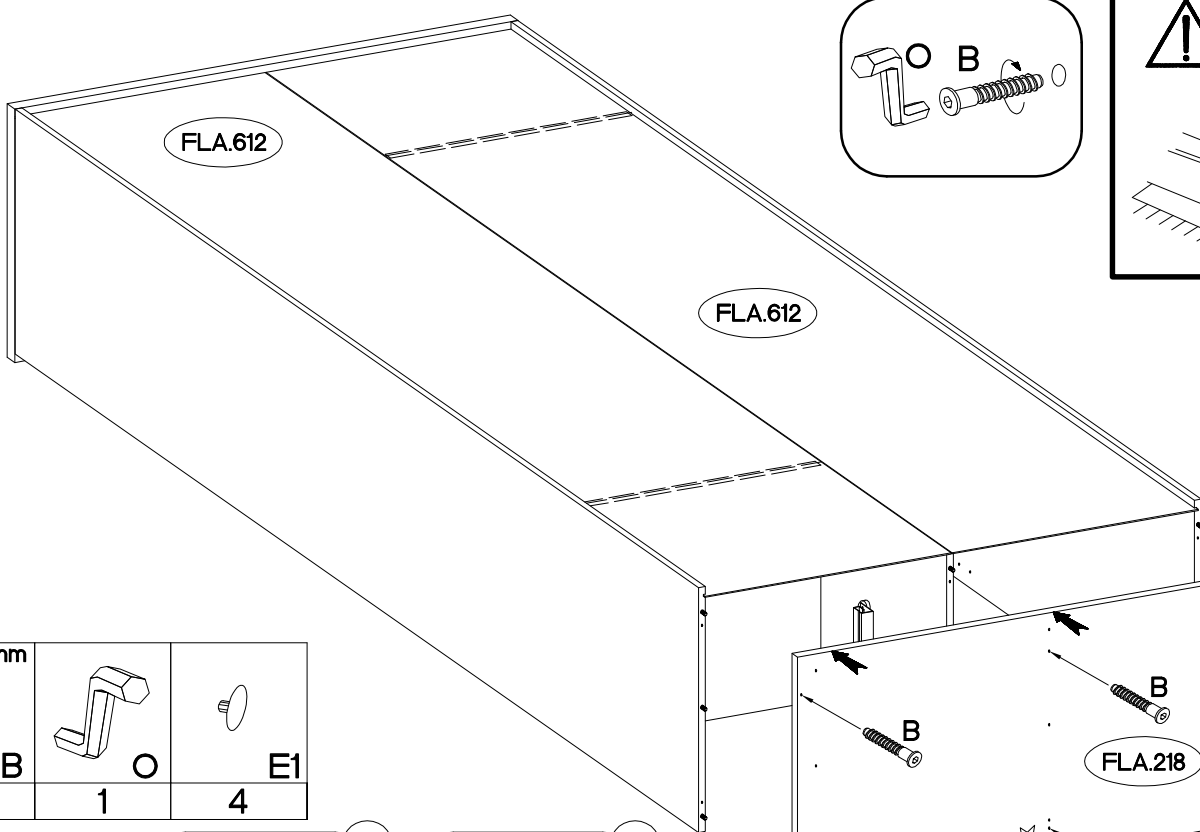


13

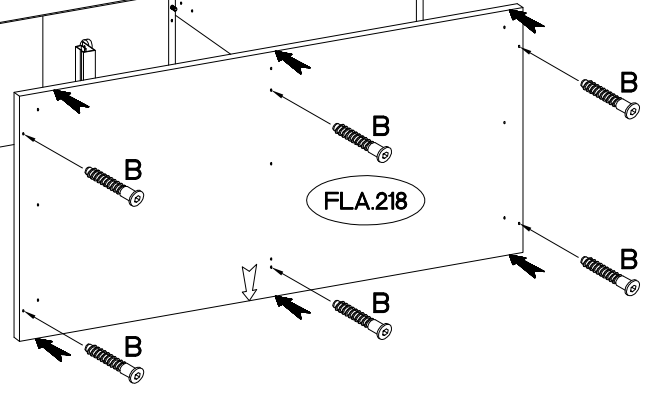
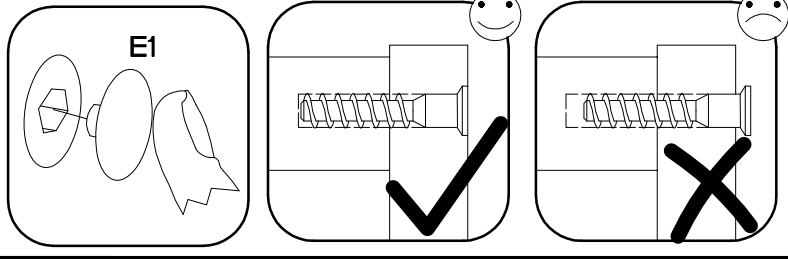




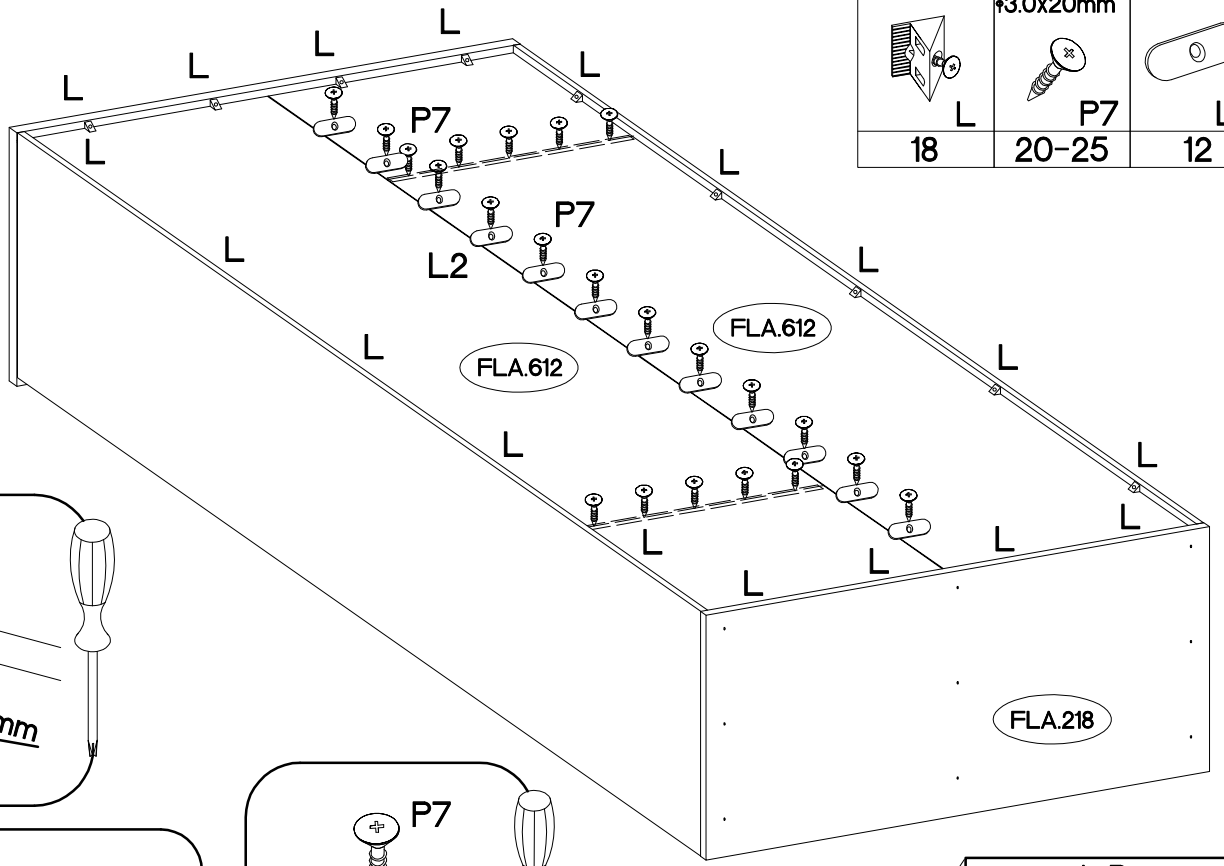
15



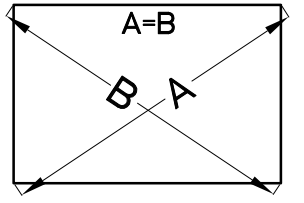
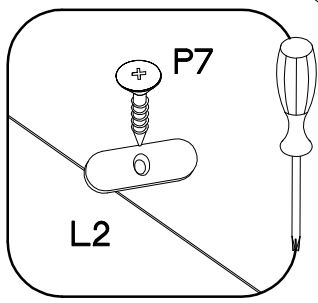
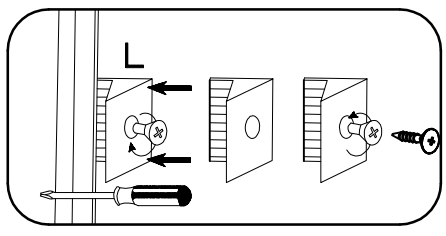
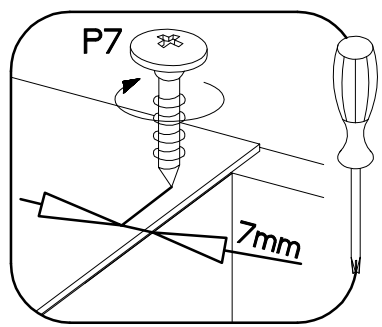
6,4 x 50mm			
	B	O	E1
	6	1	4



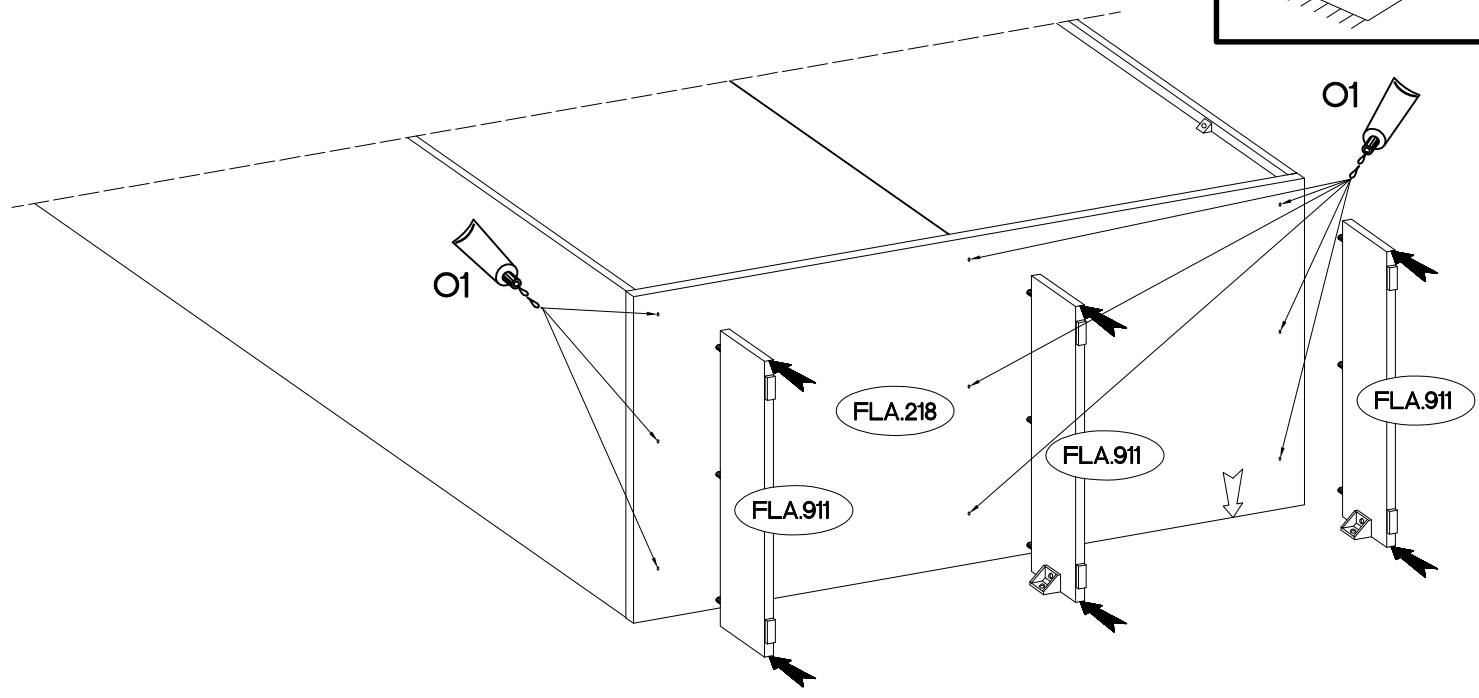
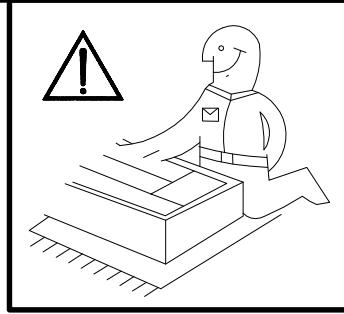
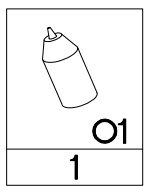
16



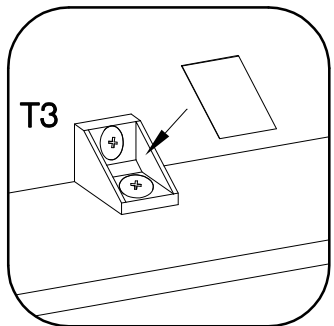
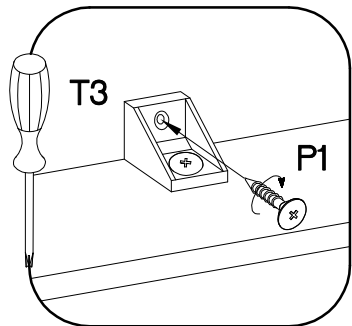
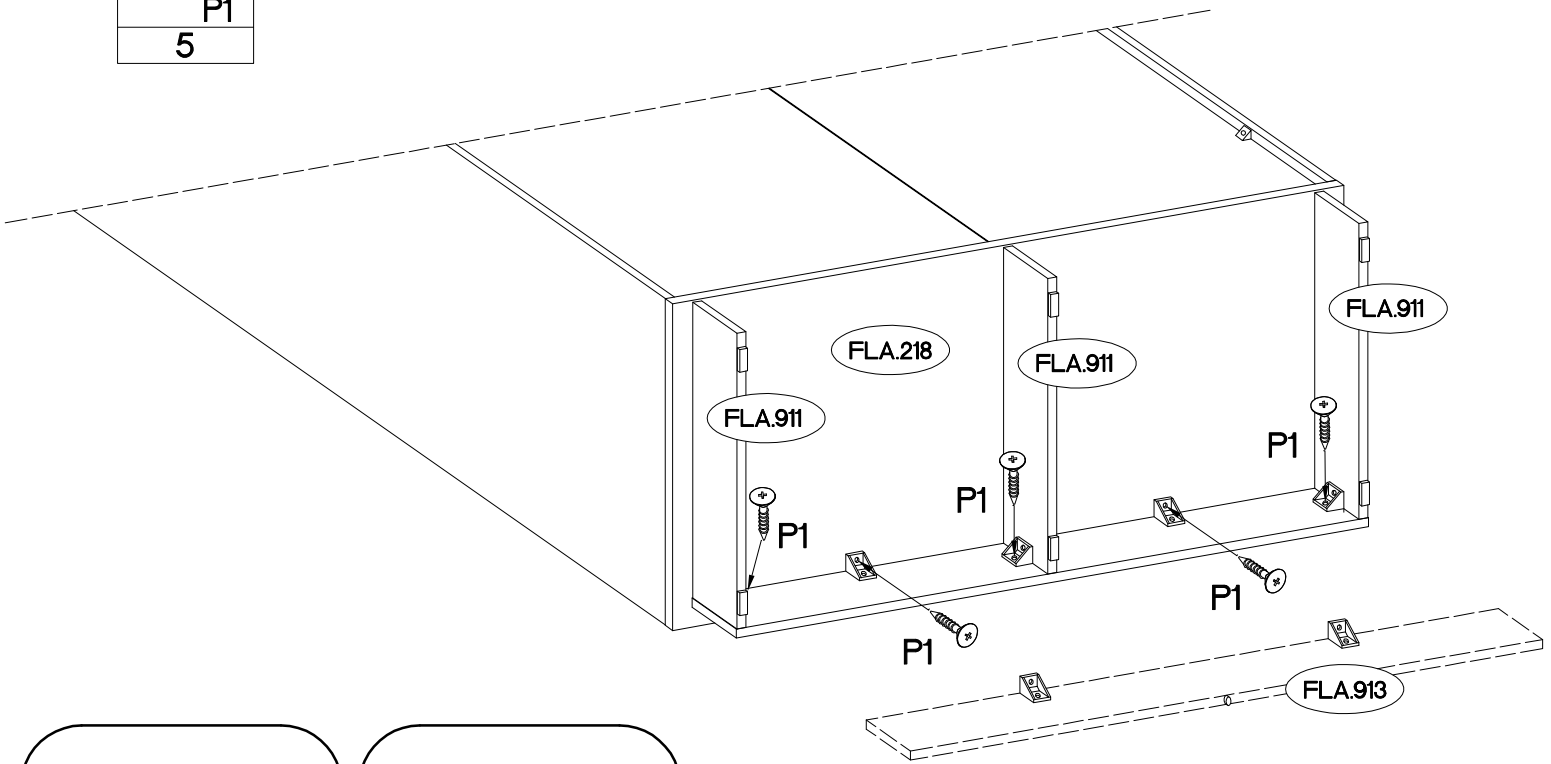
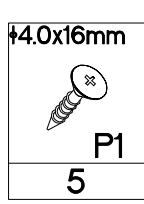
	†3.0x20mm		
L		P7	L2
18		20-25	12

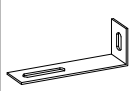

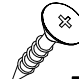



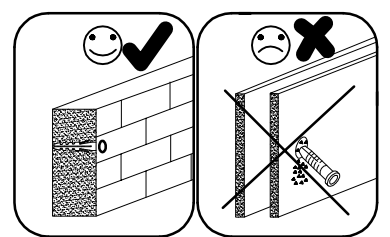
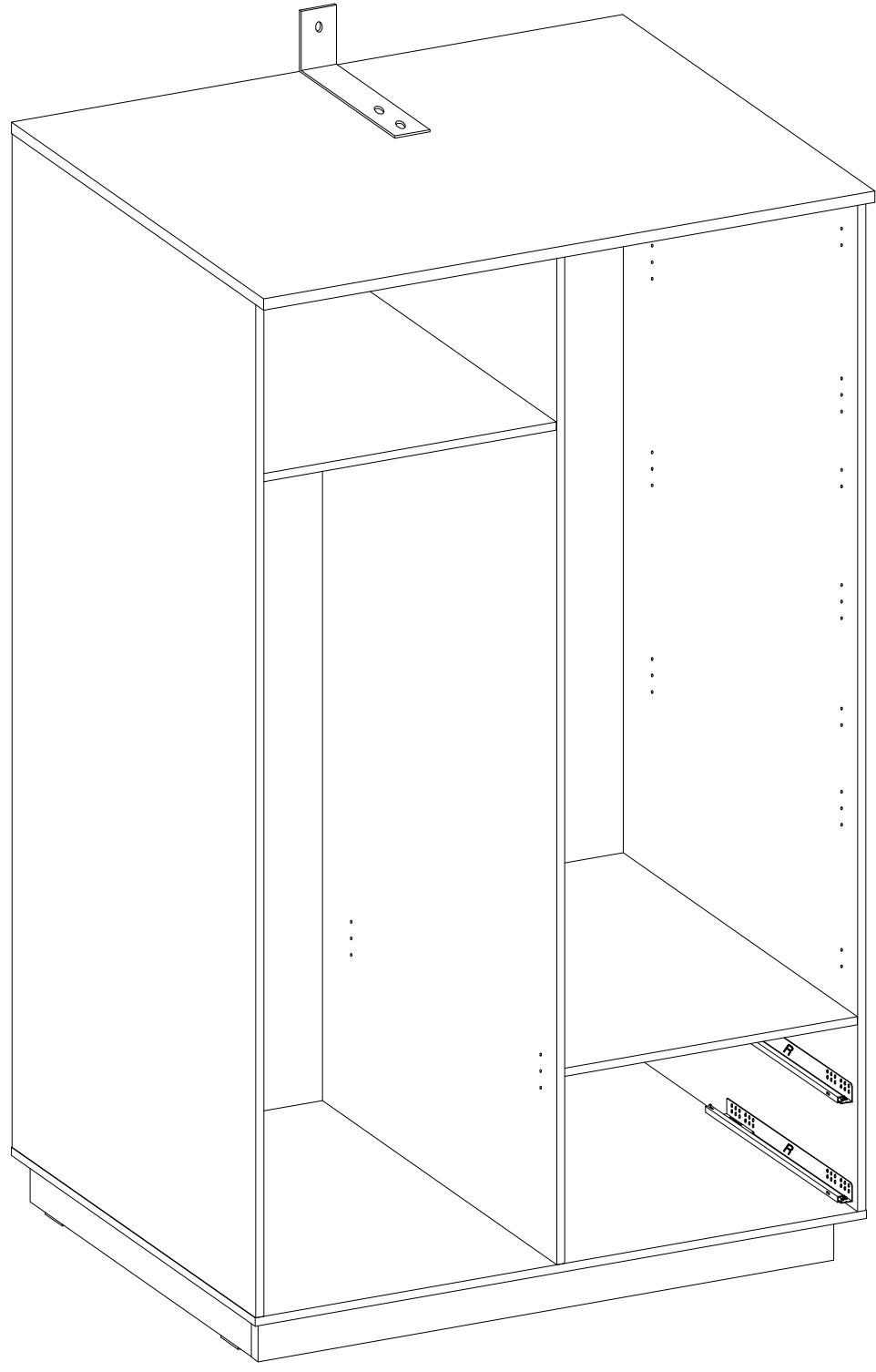
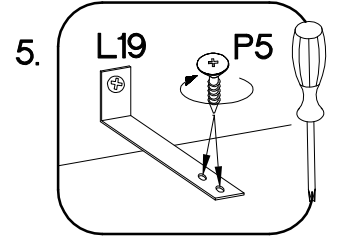
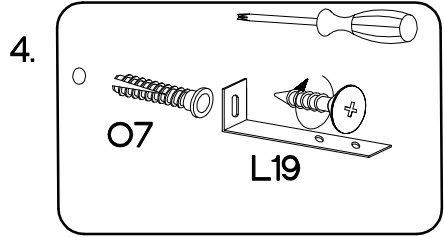
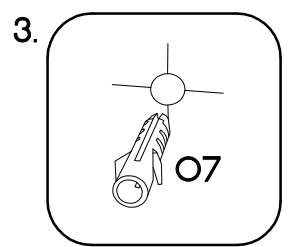
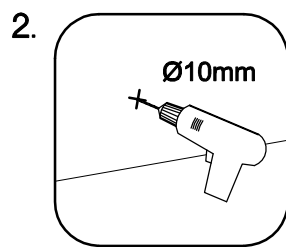
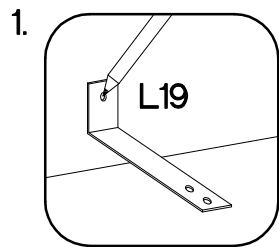
17

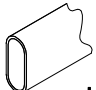





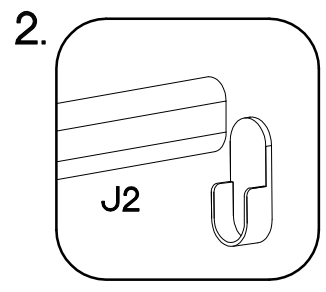
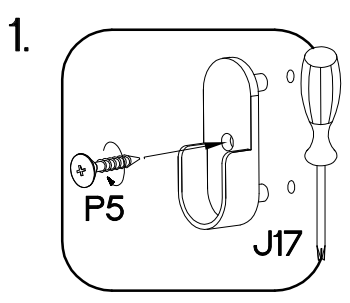
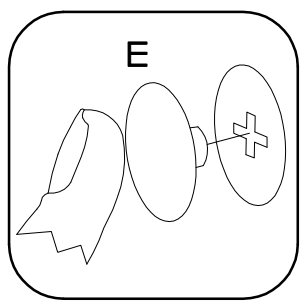
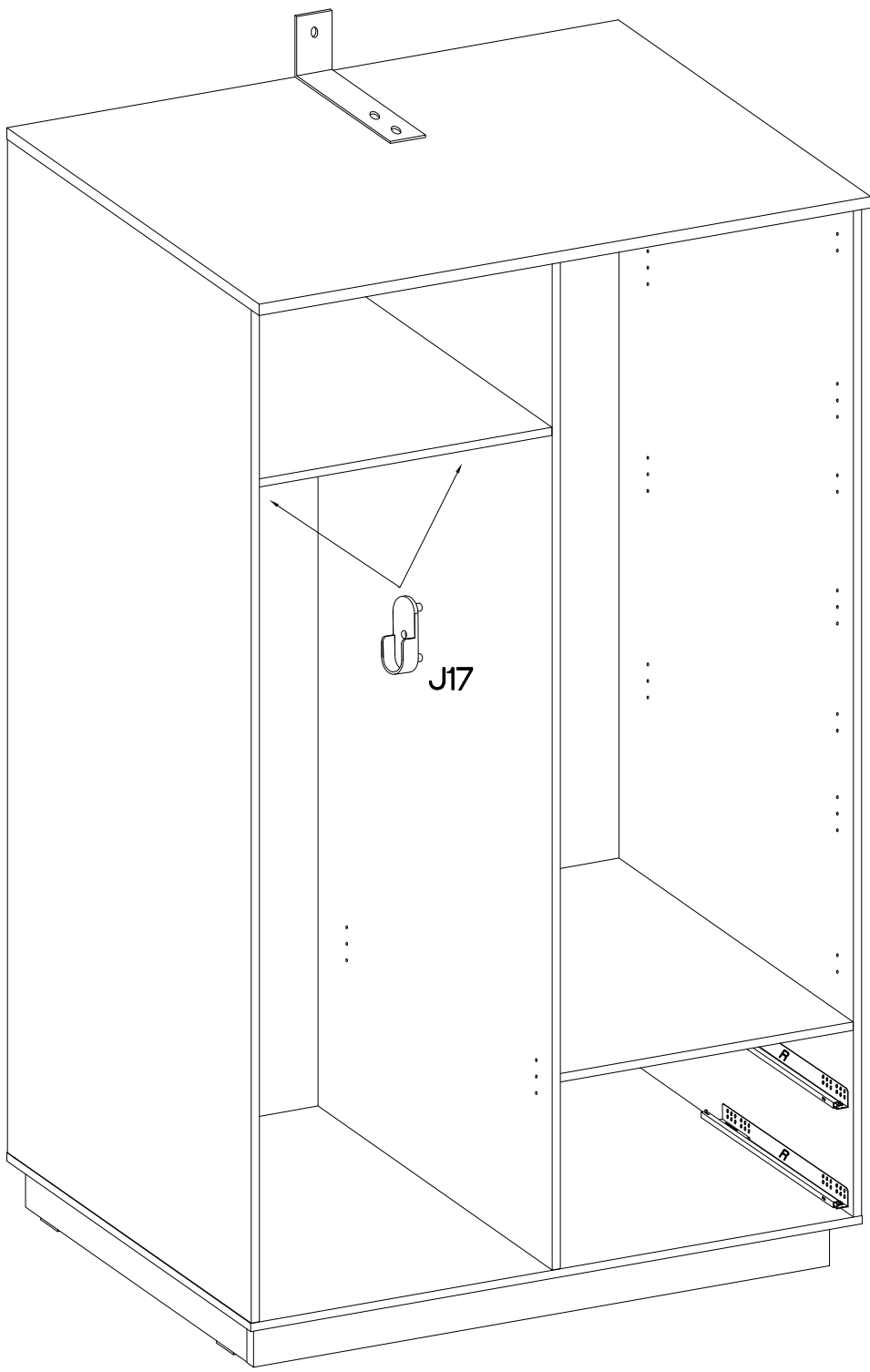
18

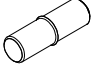


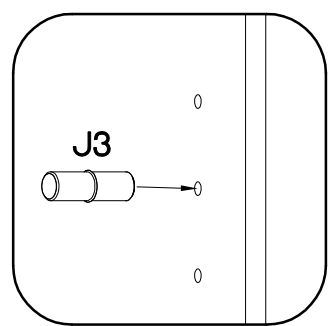
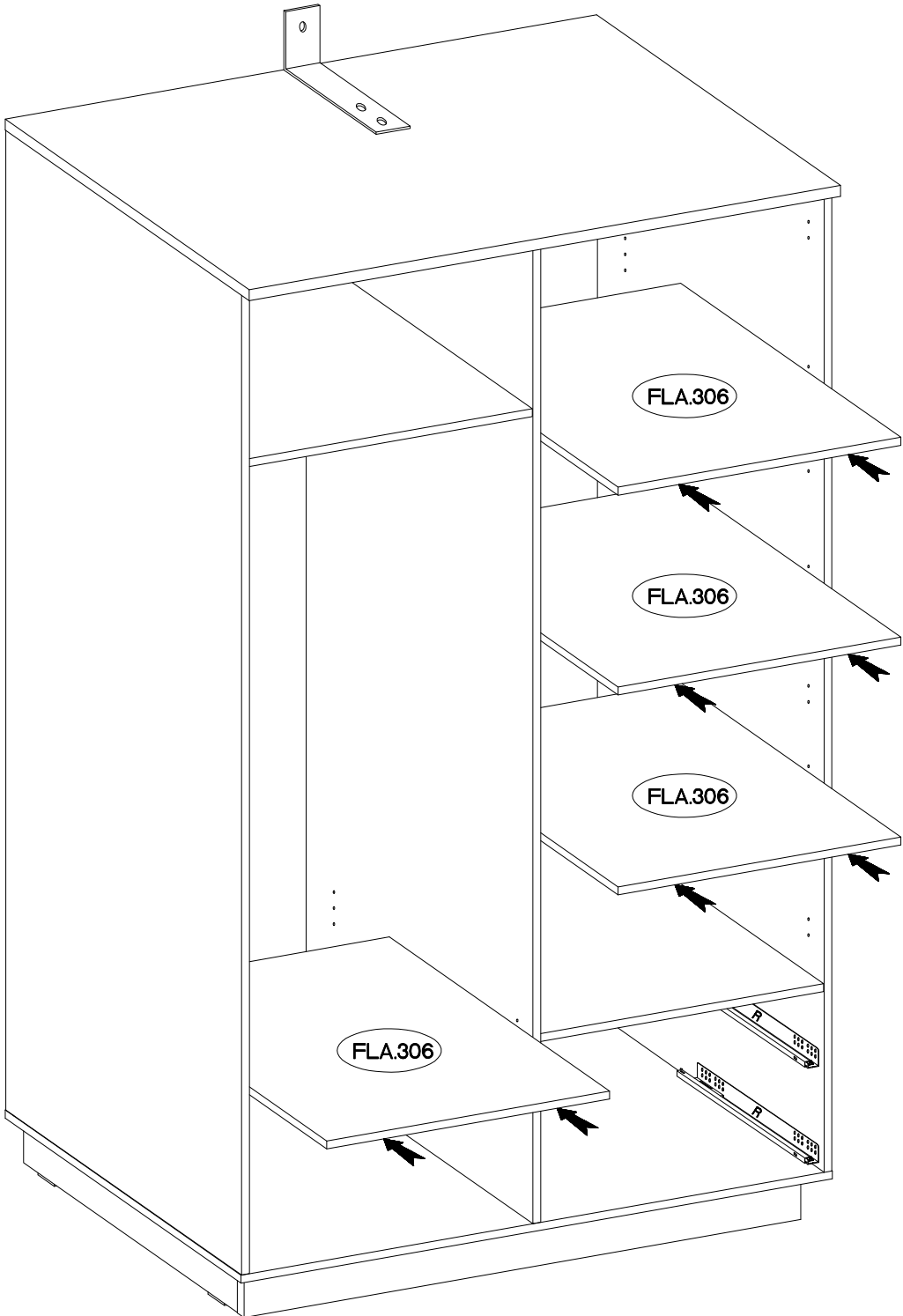
	±3.5x13mm	±5.0x60mm	±10x50mm
			
L19	P5	P12	O7
1	2	1	1

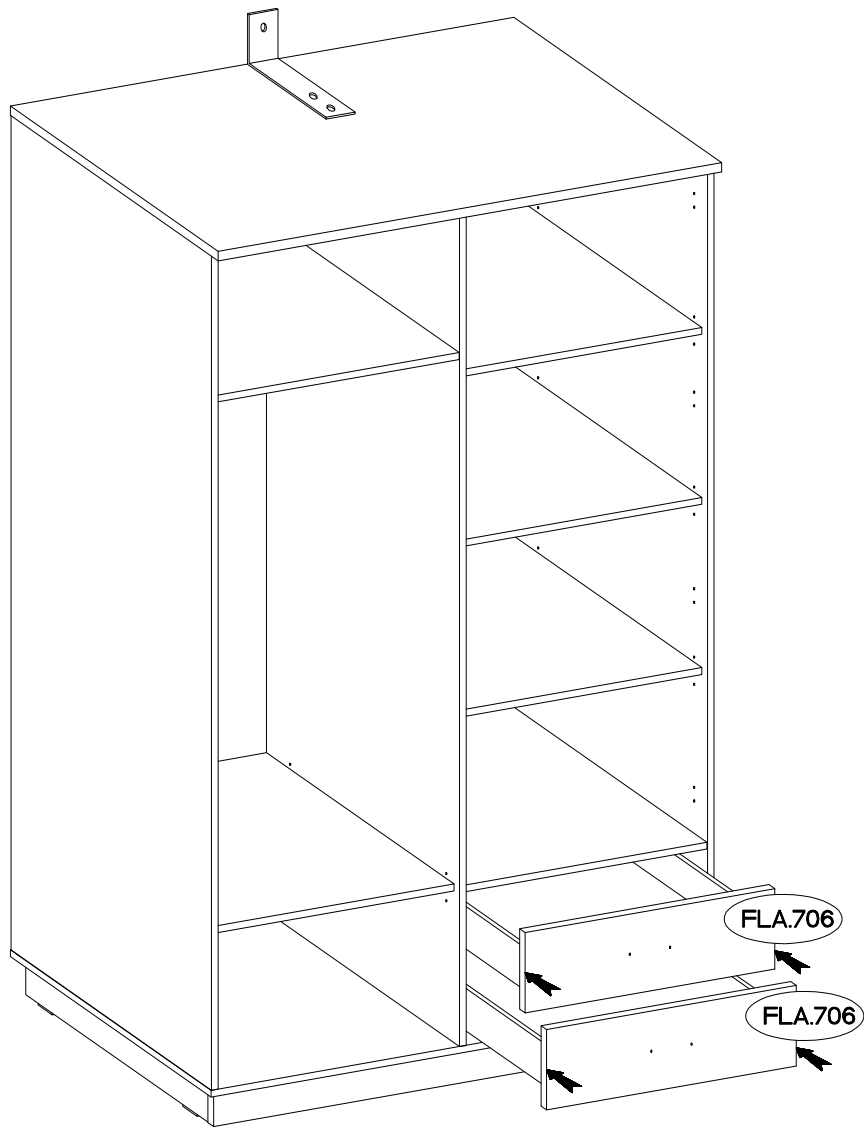


L=570mm  J2	 J17	φ3.5x13mm  P5	 E
1	2	2	14

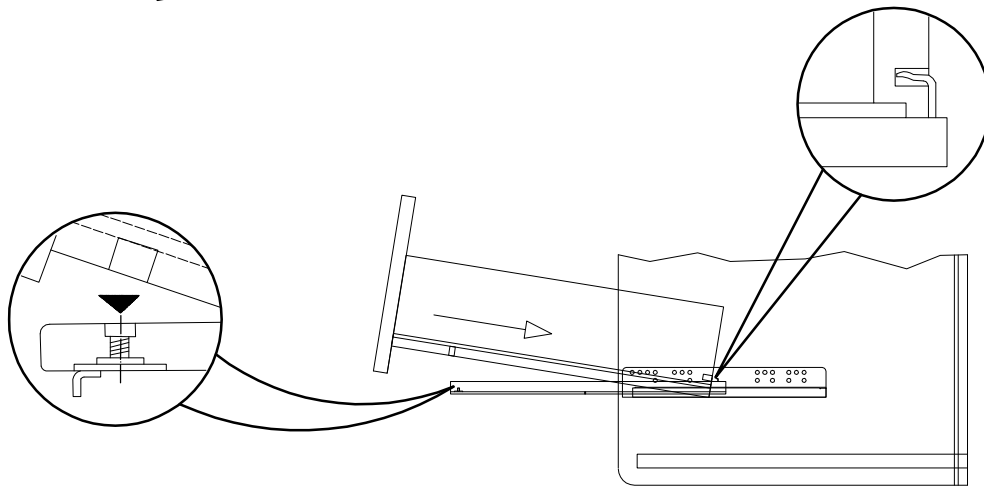


±5/16mm

J3
16

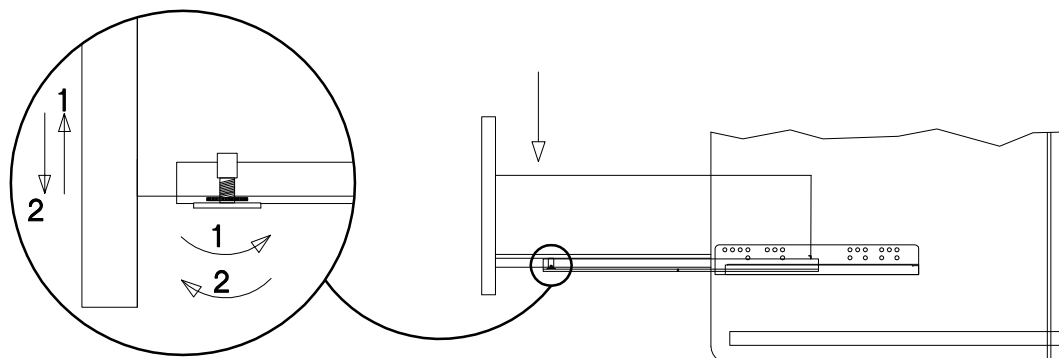


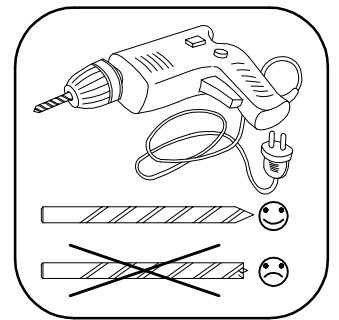
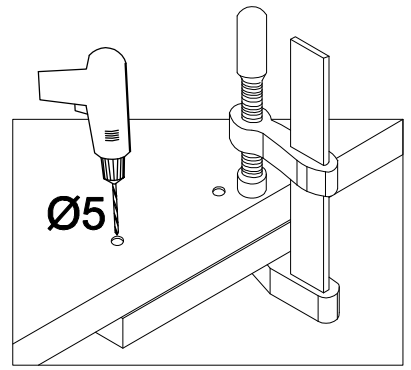
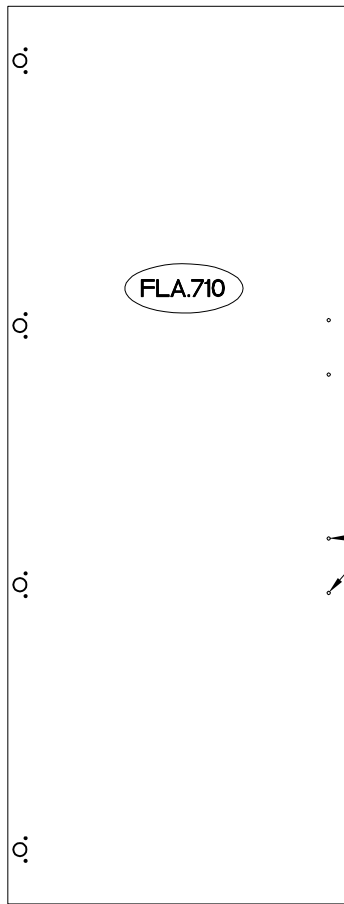
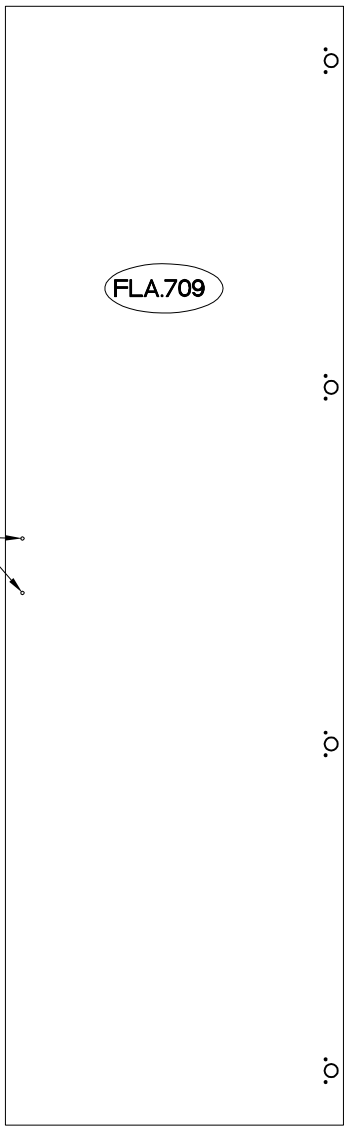




1.

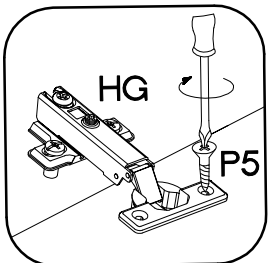
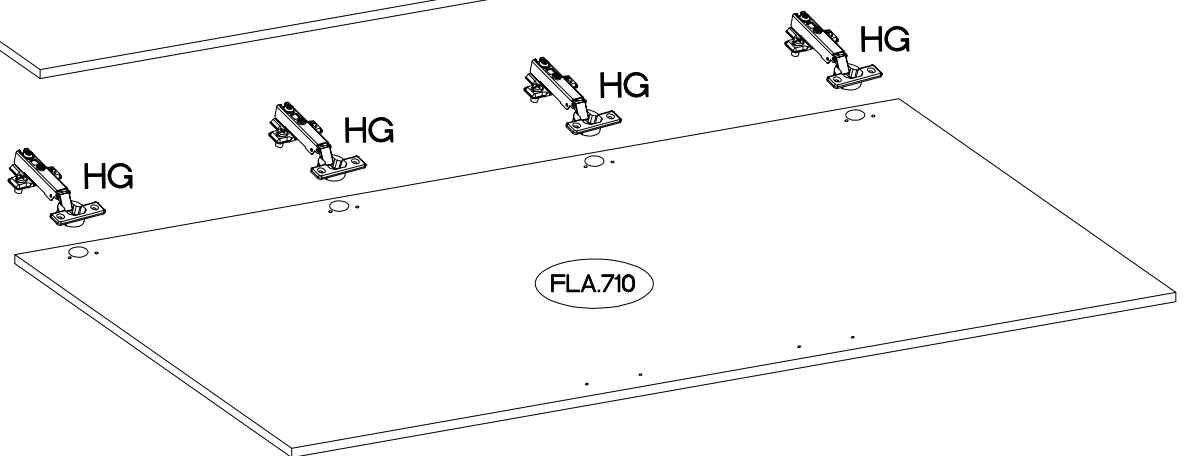
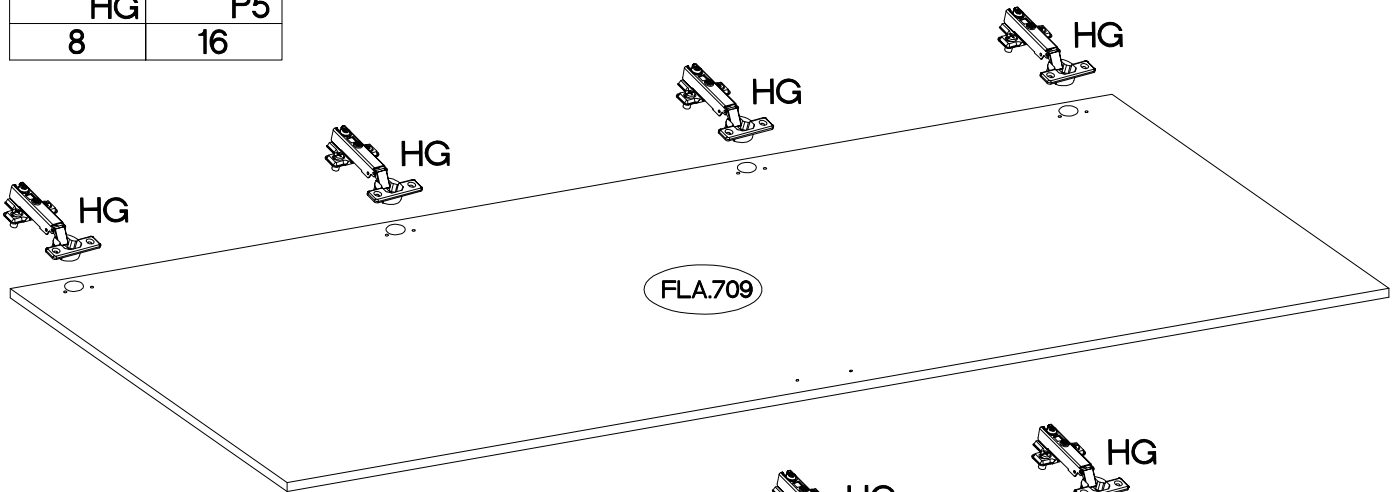



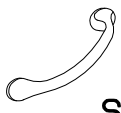
2.





 †35/0mm HG 8	 †3.5x13mm P5 16
---	--



M4x22mm	
	
U	S
8	4

