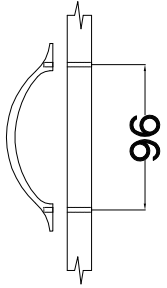
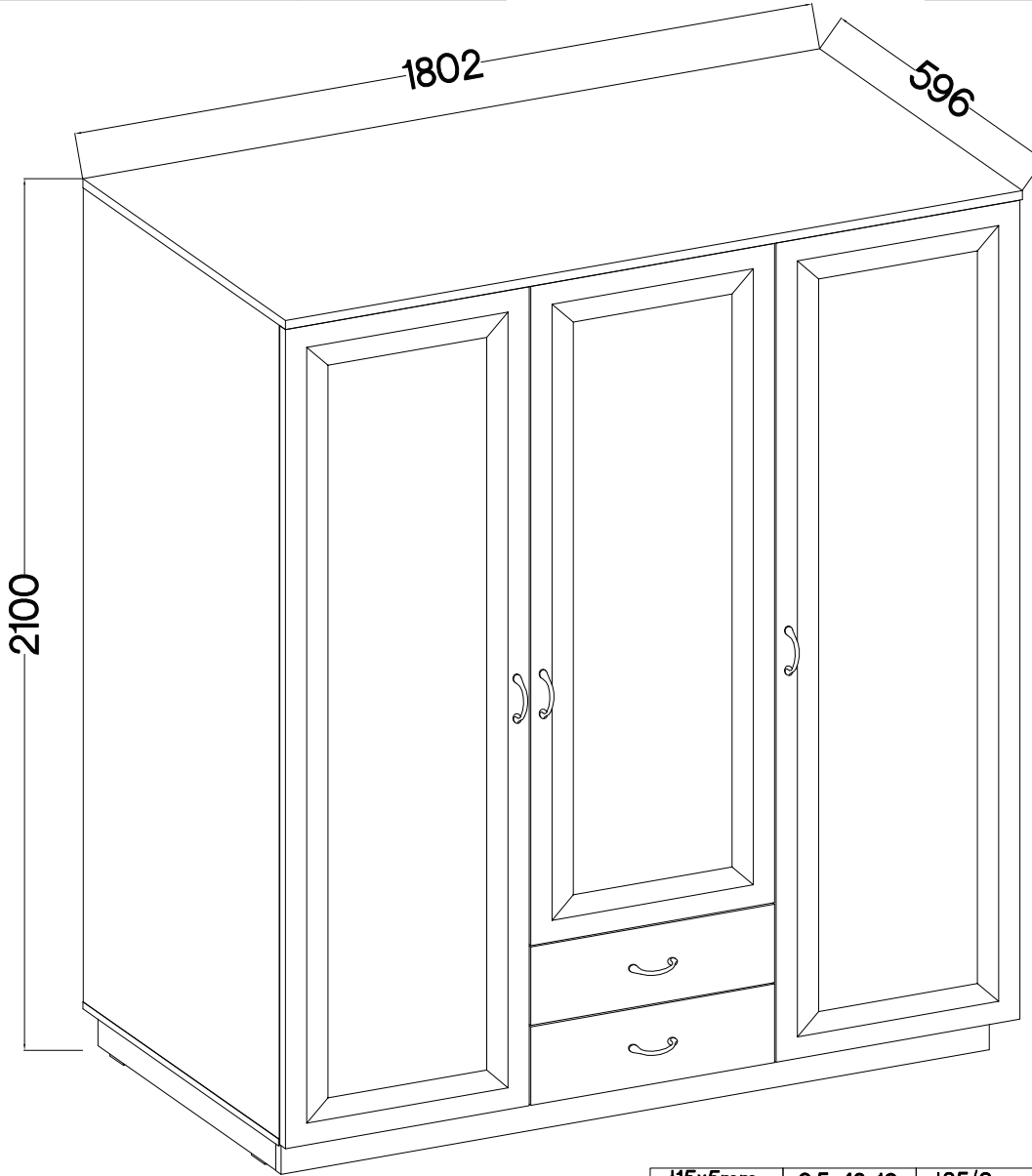
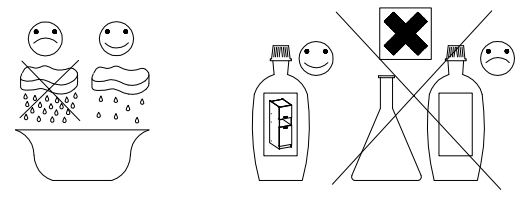


120 min

TYP 610

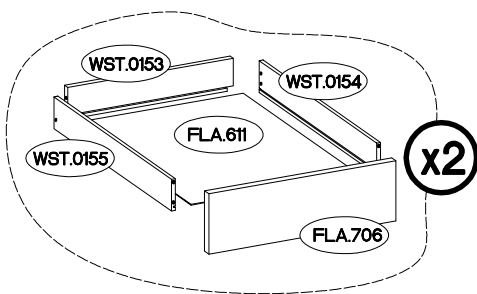
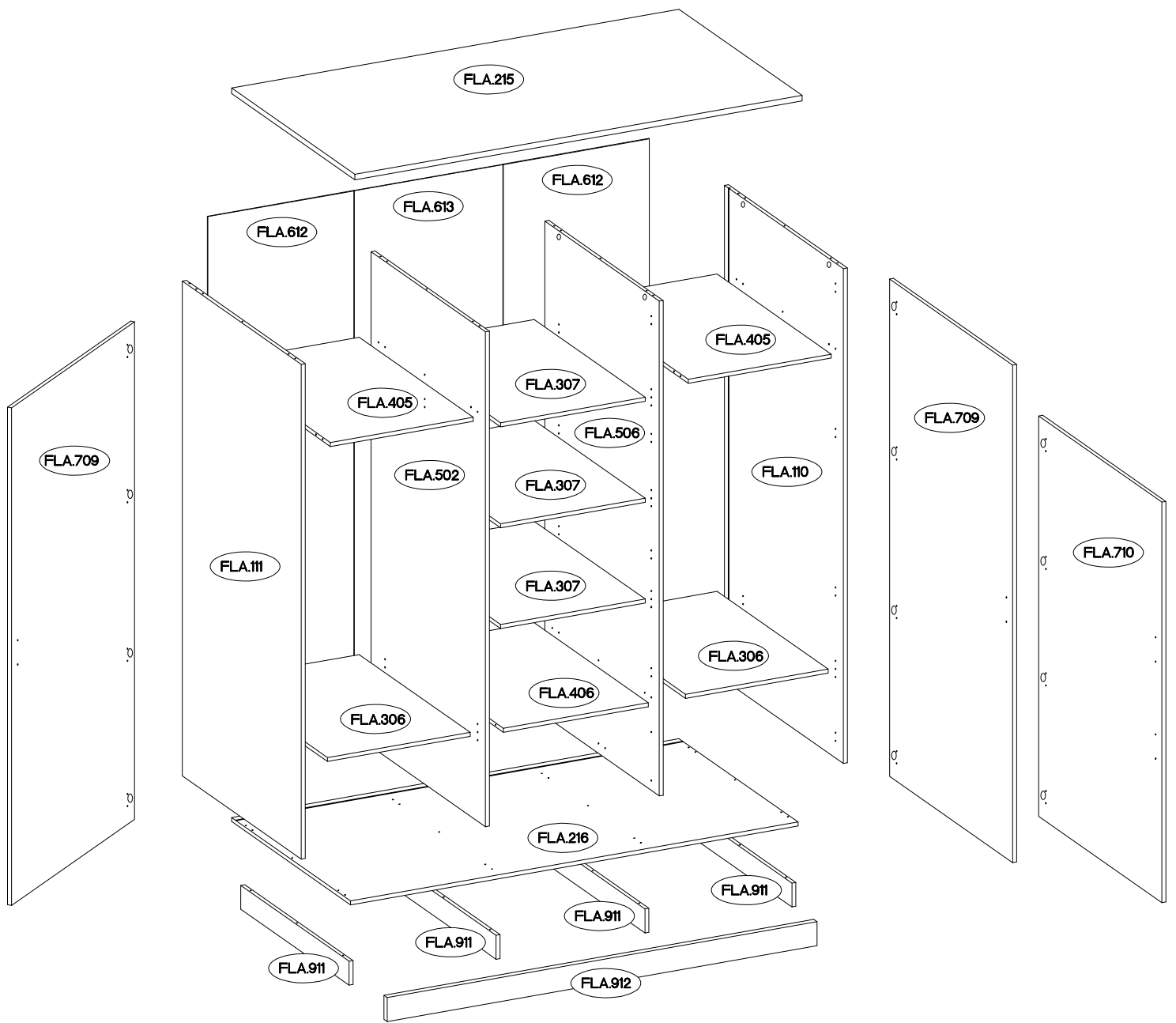


	±8x30mm	6,4 x 50mm
	A	B
	62	8
±6x42mm	±15/12mm	±12/10mm
B2	C	C5
4	20	4
L=20mm		
D2	E	E1
24	20	4

±15x5mm	6.5x48x16	±35/0mm	±35/9mm H=0	L=450mm
F4	F22	HG	HG1	I11
2	8	8	4	2

L=570mm	±5/16mm	±20/8mm					±6.3x20mm			±10x50mm
J2	J3	J14	J17	L	L2	L19	M3	O	O1	O7
2	20	12	4	24	24	2	12	1	2	2
±4.0x16mm	±3.5x13mm	±3.0x20mm	±5.0x60mm			M4x22mm				
P1	P5	P7	P12	S	T3	U				
14	32	35-40	2	5	7	10				

ISM-FLA-12



FLA.611



FLA.306

FLA.307

FLA.405

FLA.406

Colli	Ersatzteil Nummer	Dimension
Colli 2/5	FLA.215	1802x596x22
	FLA.216	1802x576x16
	FLA.912	1732x95x16


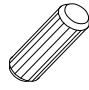

Colli	Ersatzteil Nummer	Dimension
Colli 3/5	FLA.110	1962x576x16
	FLA.111	1962x576x16
	FLA.612 x2	1971x588x2,5
	FLA.613	1971x598x2,5

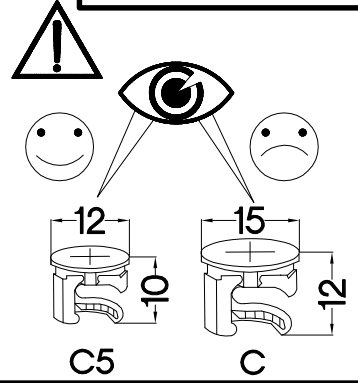
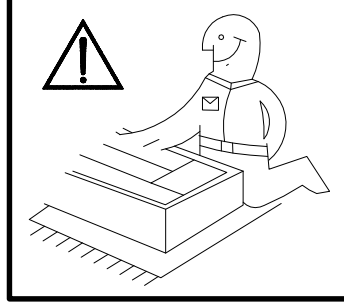
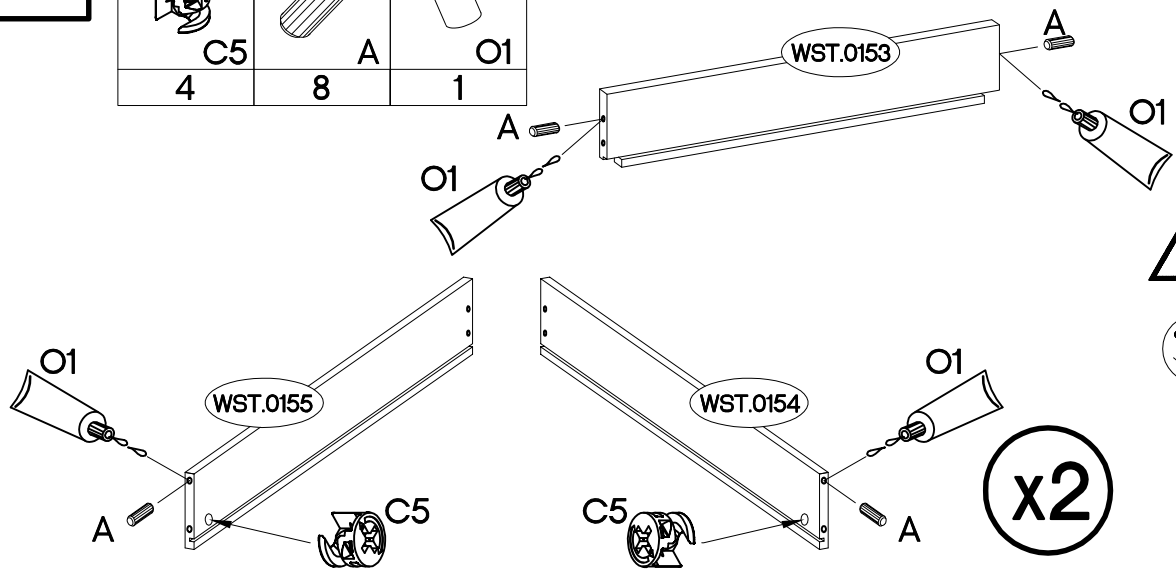
Colli	Ersatzteil Nummer	Dimension
Colli 1/5	FLA.306 x2	575x538x16
	FLA.405 x2	576x553x16
	FLA.406	584x553x16
	FLA.611 x2	446x537x2,5
	FLA.911 x4	524x95x16
	WST.0154 x2	450x100x12
	WST.0155 x2	450x100x12
WST.0153 x2	527x100x12	

Colli	Ersatzteil Nummer	Dimension
Colli 4/5	FLA.307 x3	583x538x16
	FLA.502	1962x554x16
	FLA.506	1962x554x16

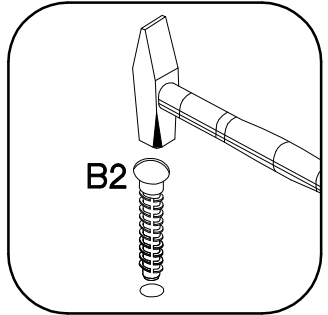
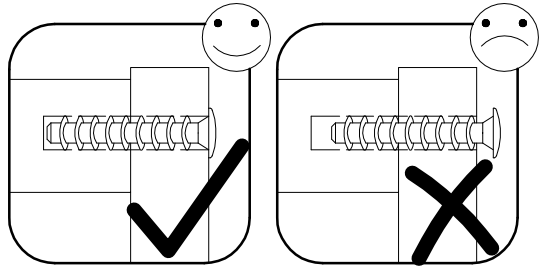
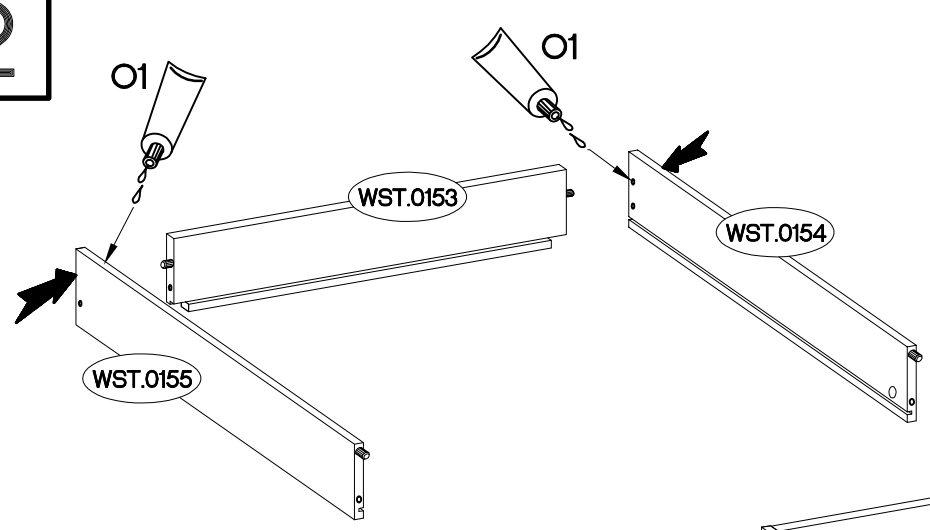
Colli	Ersatzteil Nummer	Dimension
Colli 5/5	FLA.706 x2	189x596x16
	FLA.709 x2	1973x596x16
	FLA.710	1588x596x16



1

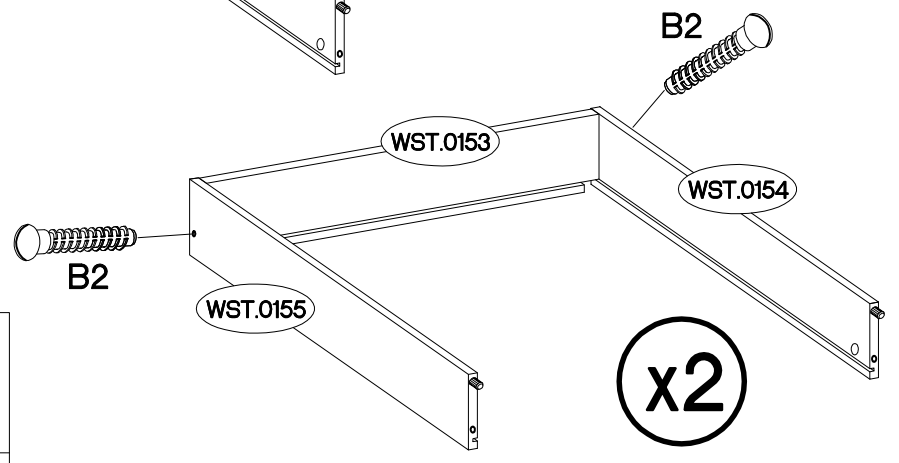
#2/10mm  C5	#8x30mm  A	 O1
4	8	1




2

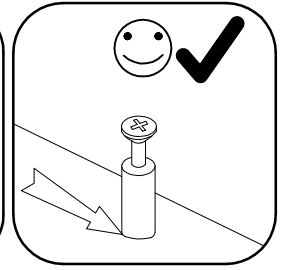
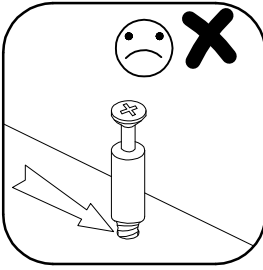
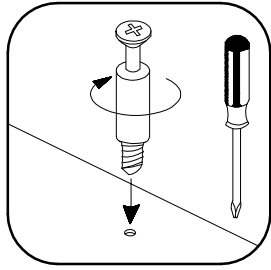
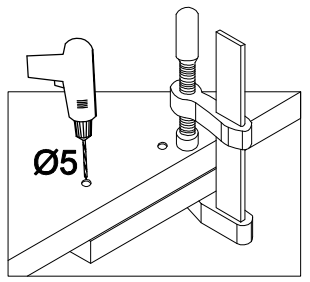
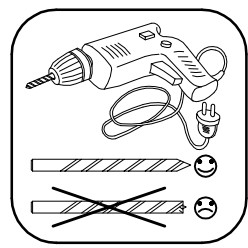
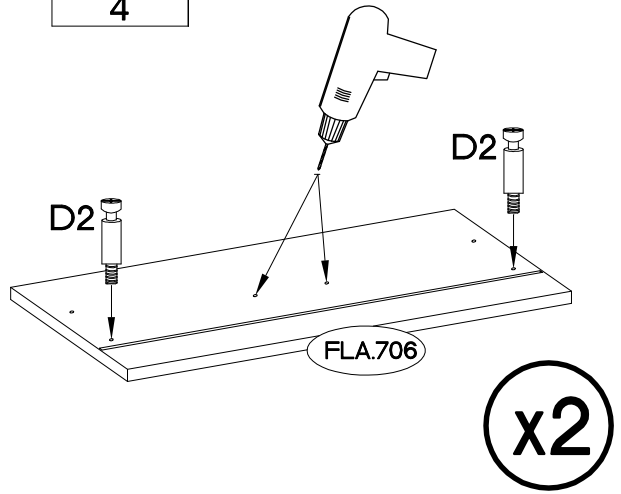


#6x42mm  B2	 O1
4	1

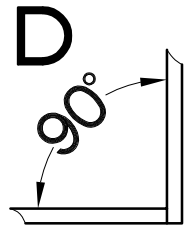
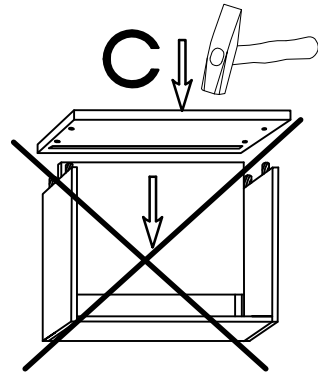
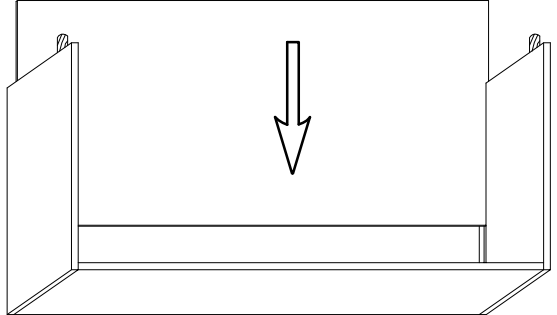
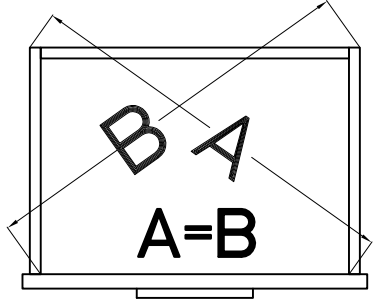
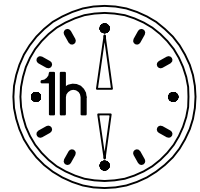
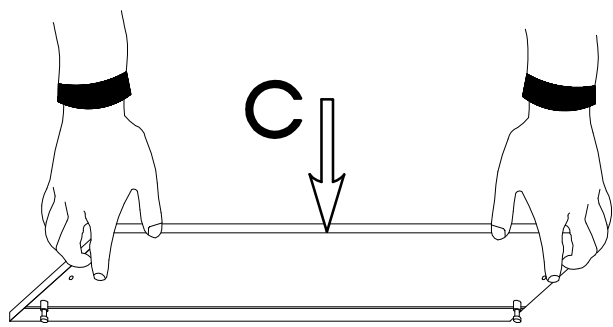
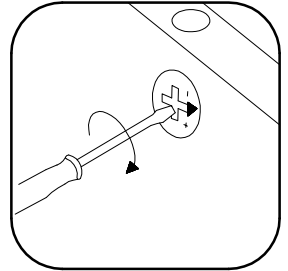
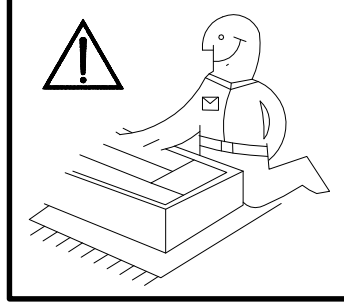
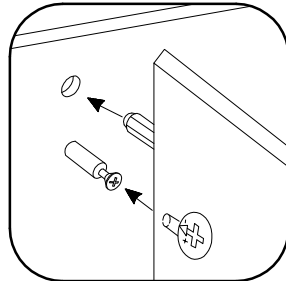
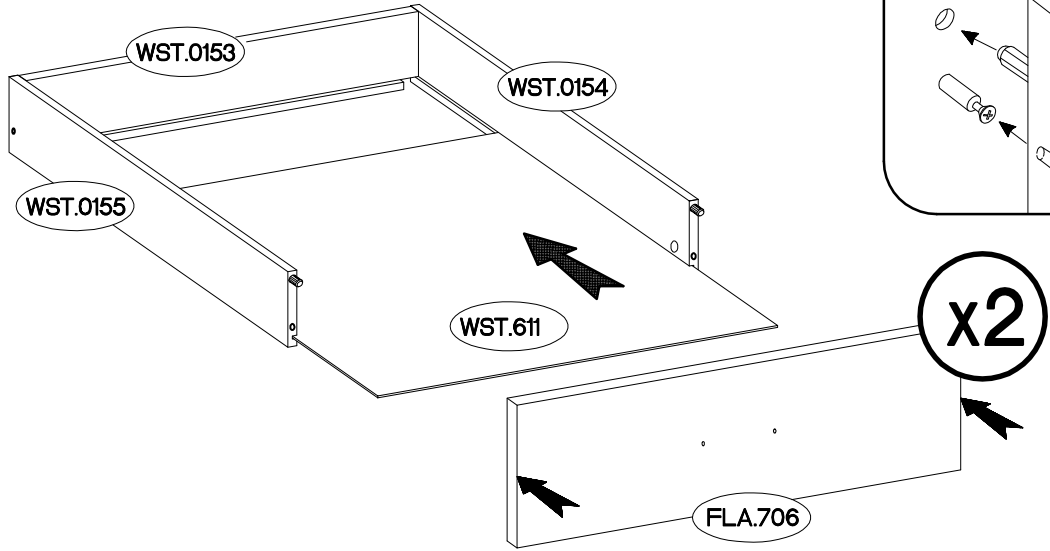


3

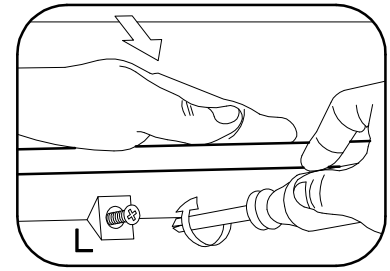
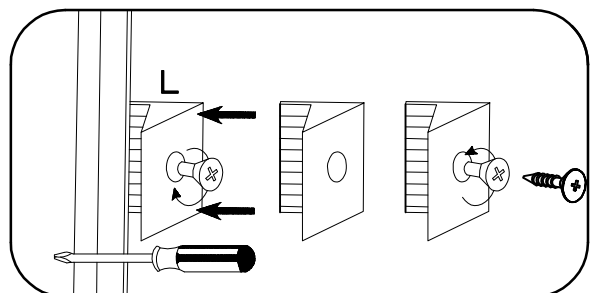
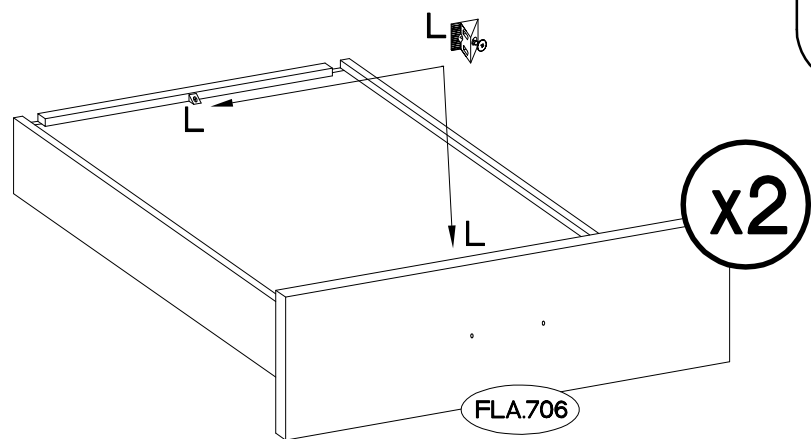
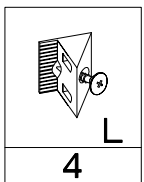
L=20mm  D2
4

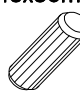

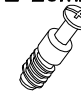


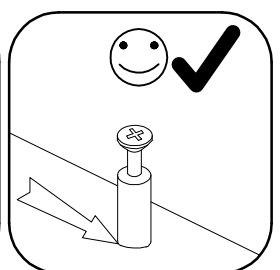
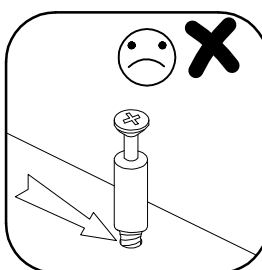
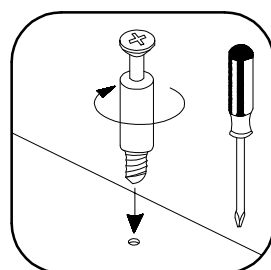
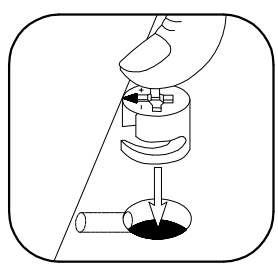
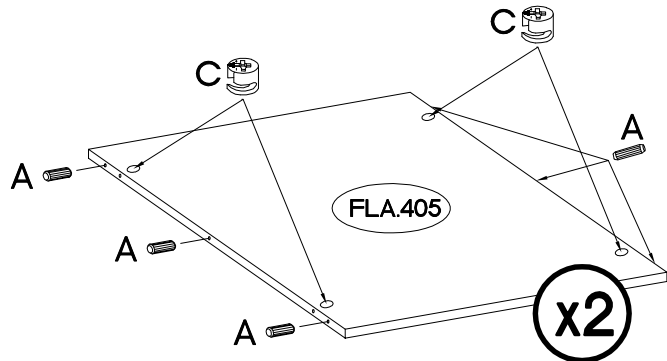
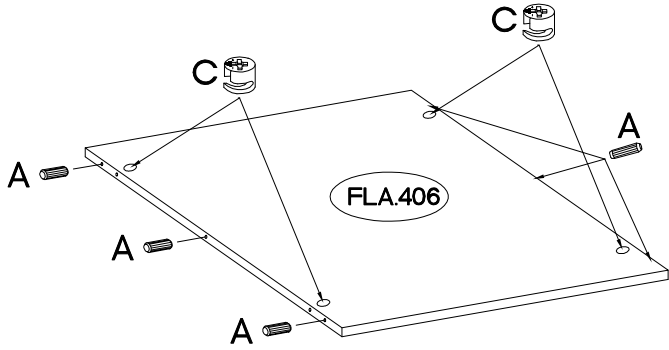
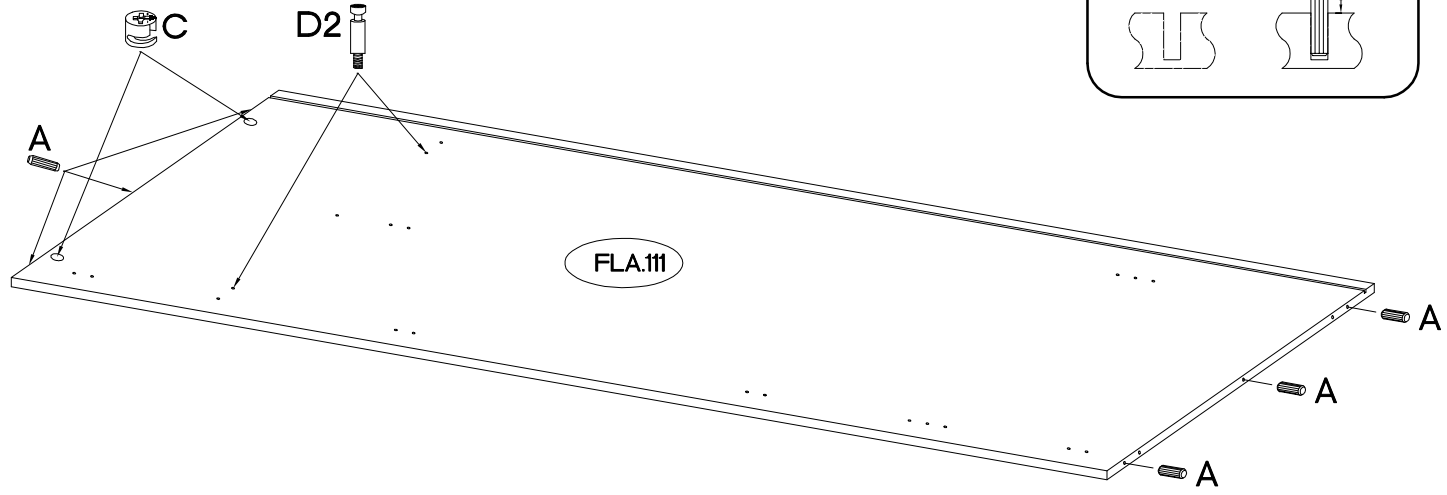
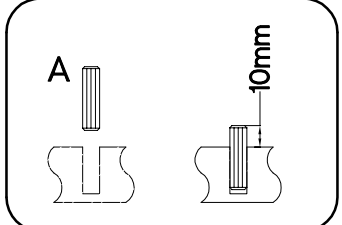
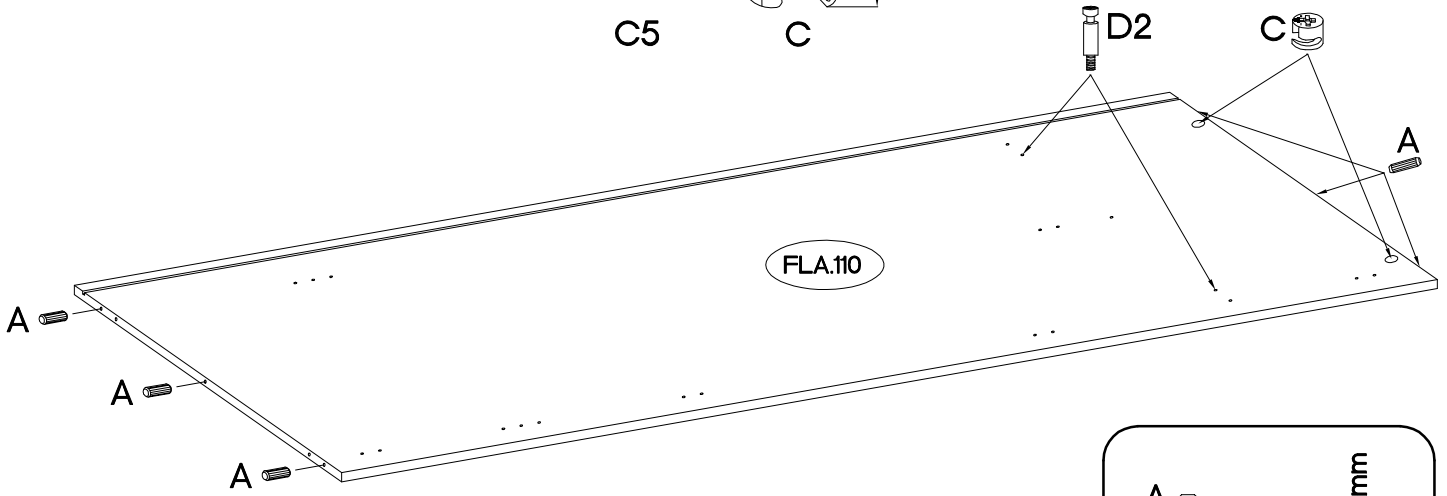
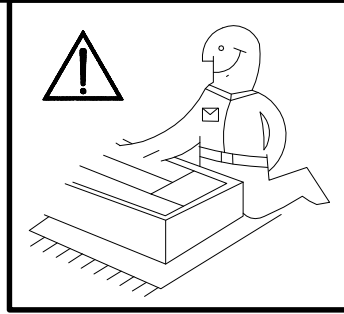
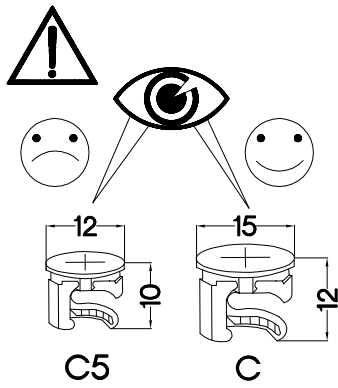
4



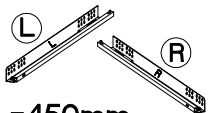

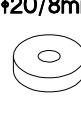



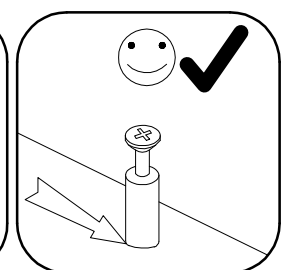
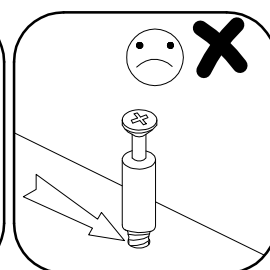
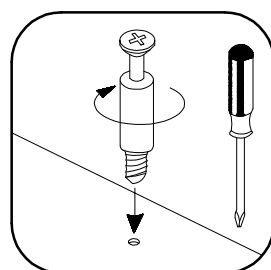
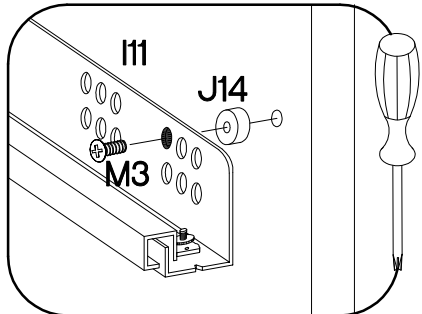
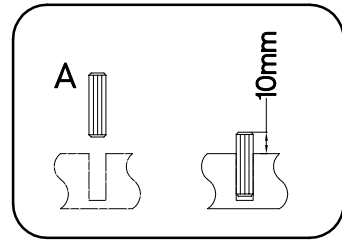
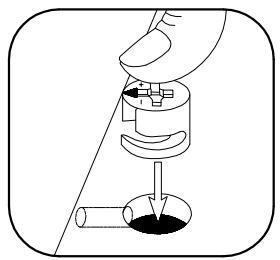
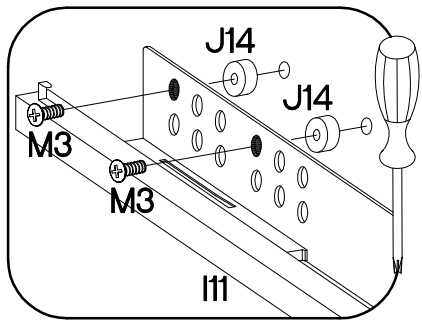
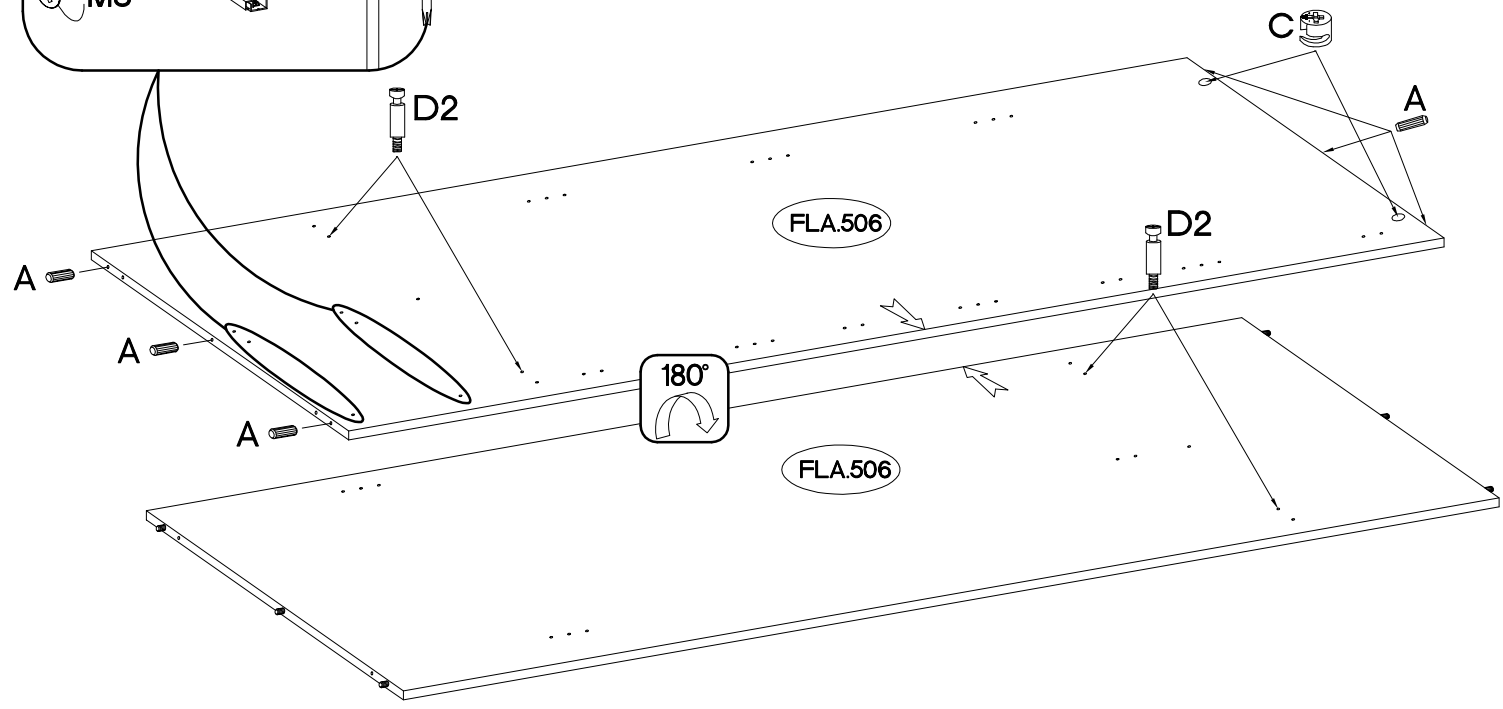
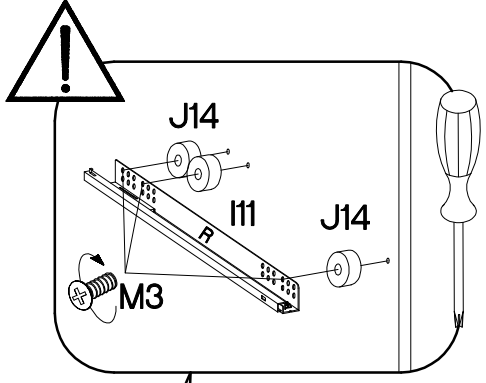
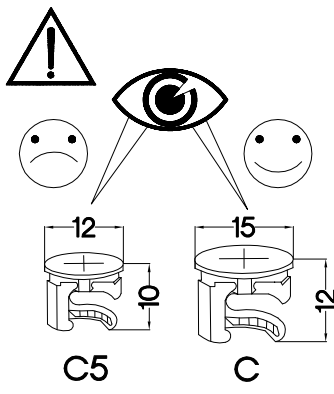
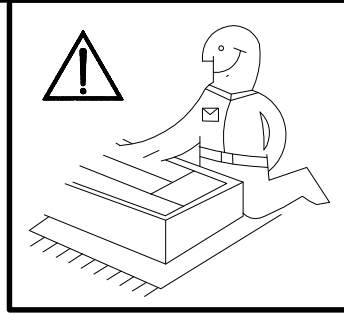
5

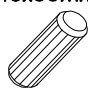
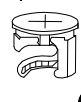
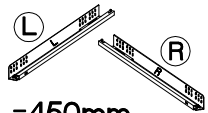

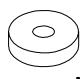



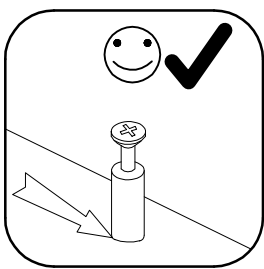
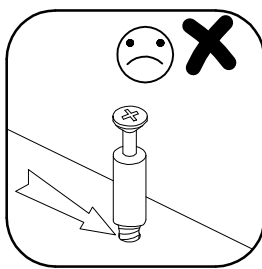
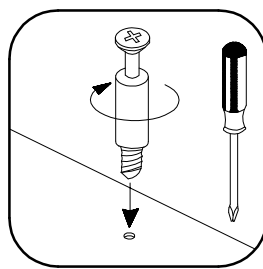
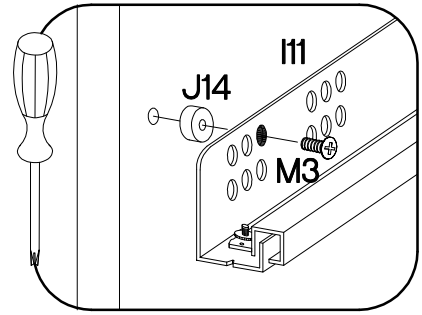
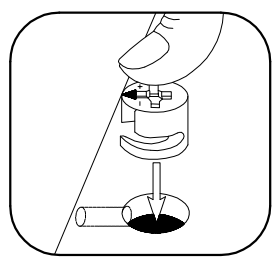
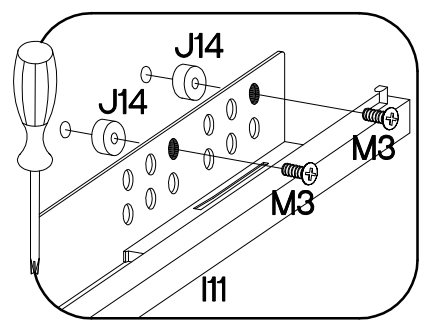
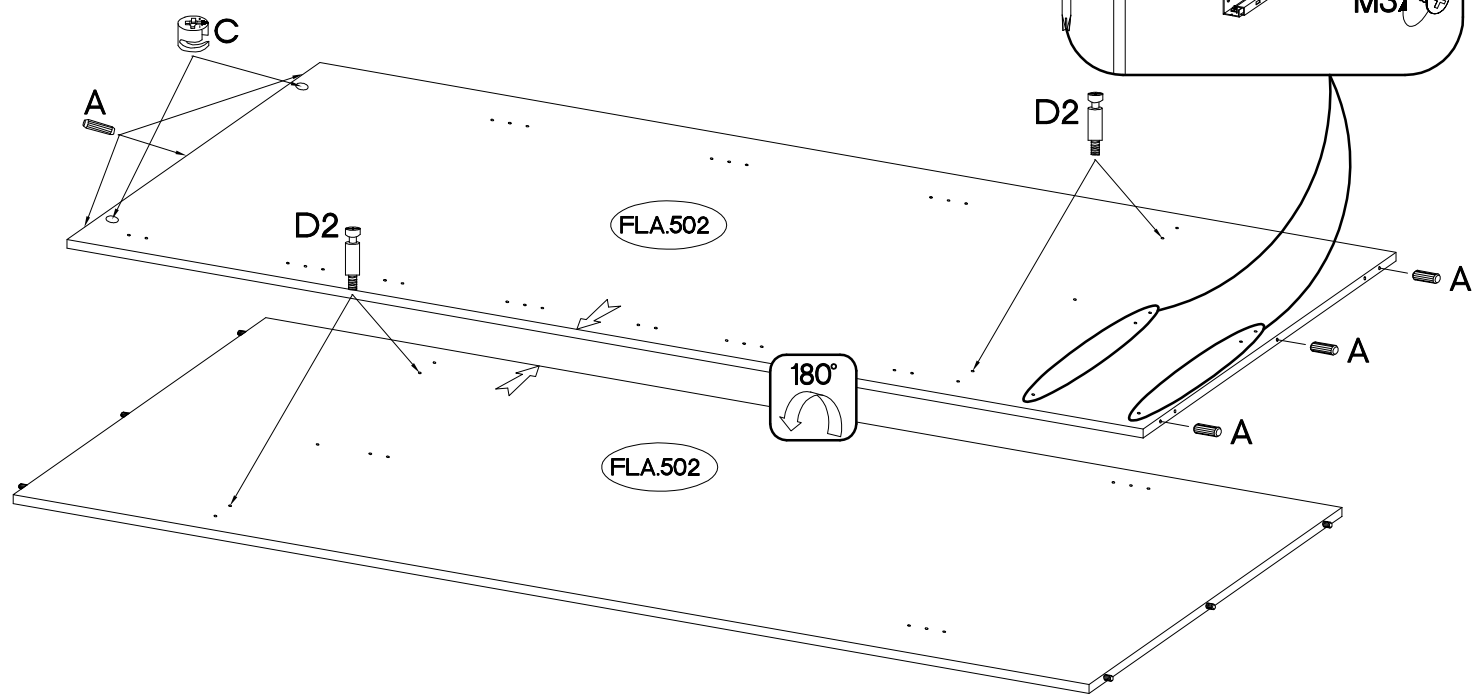
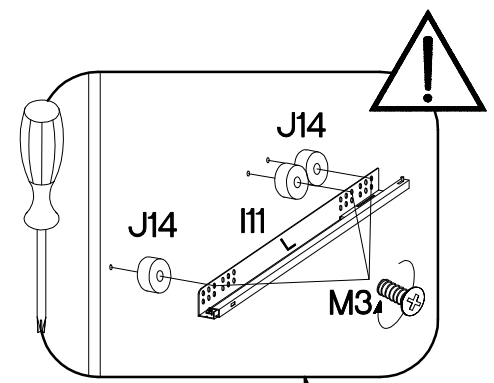
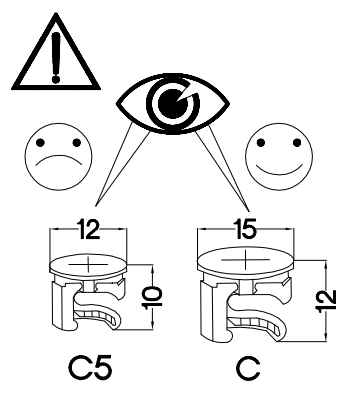
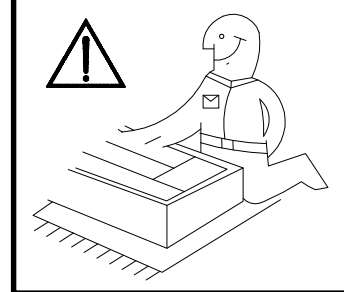
$\pm 8 \times 30 \text{mm}$  A	$\pm 15/12 \text{mm}$  C	L=20mm  D2
30	16	4



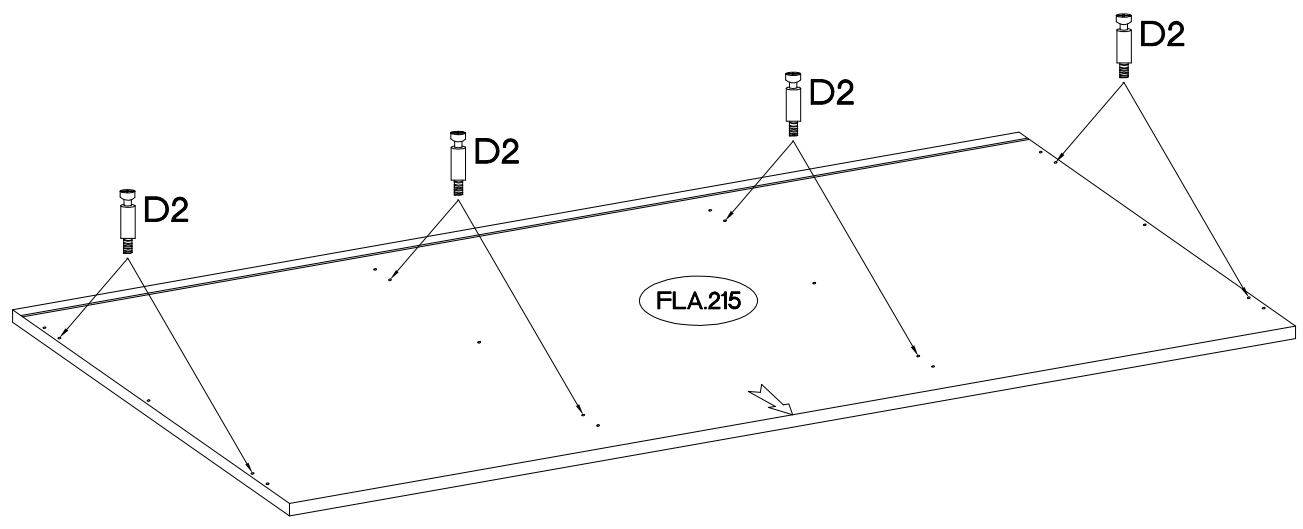
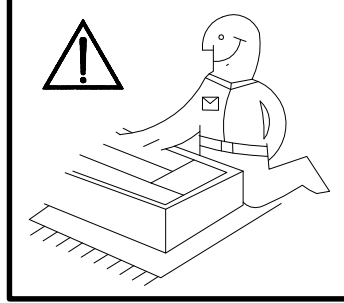
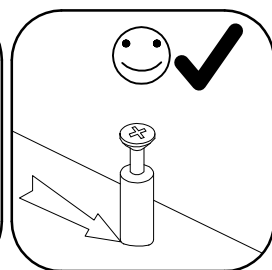
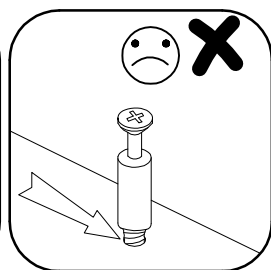
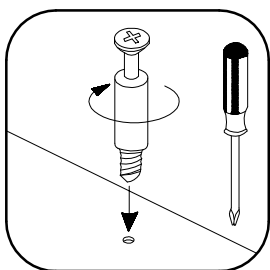
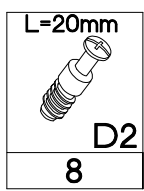
+8x30mm  A	+15/12mm  C	L=450mm  I11	+6.3x20mm  M3	+20/8mm  J14	L=20mm  D2
6	2	2	6	6	4



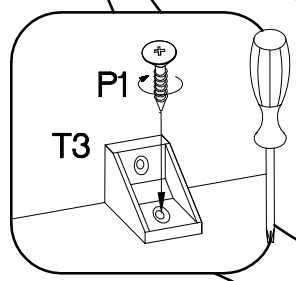
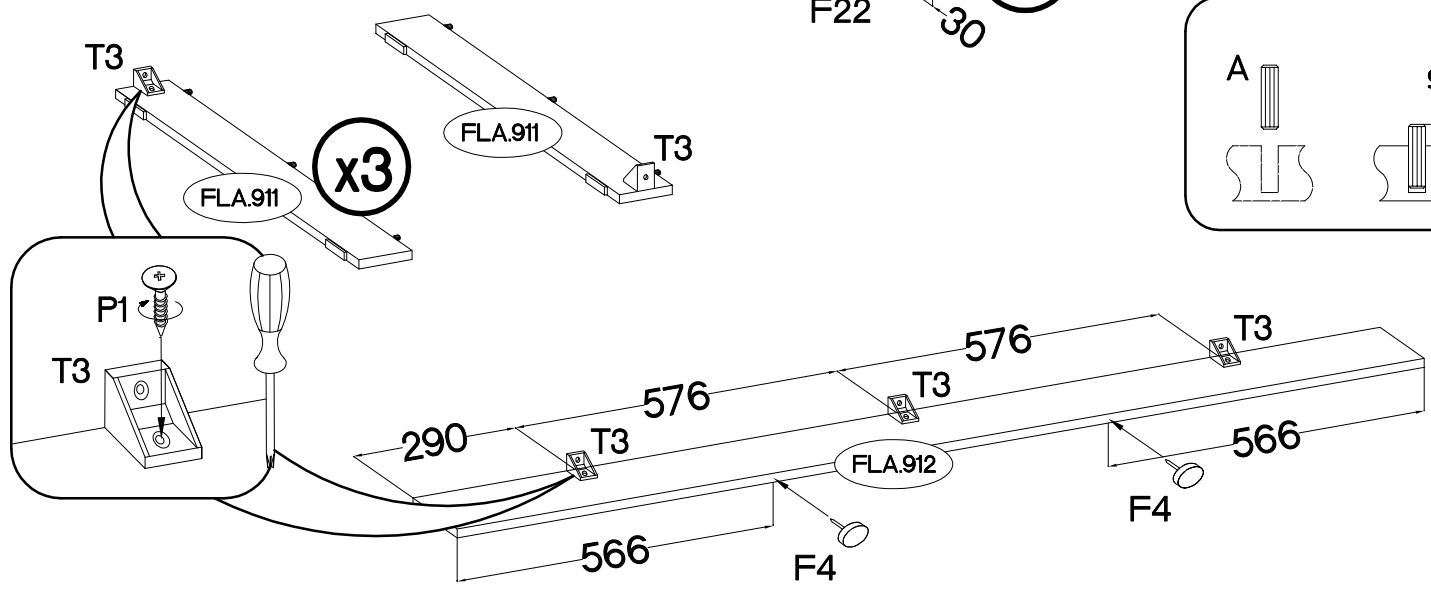
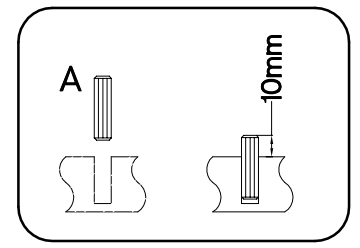
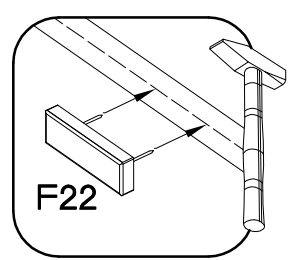
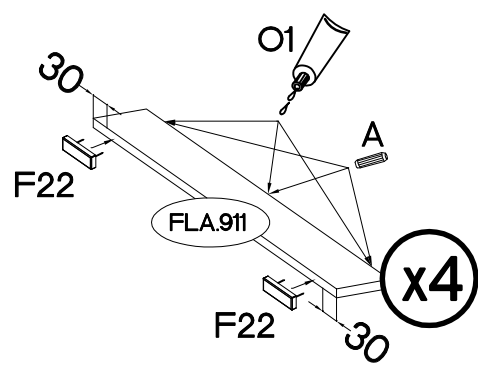
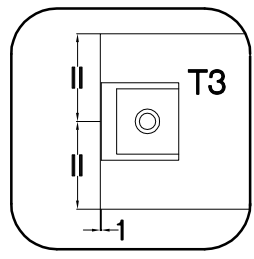
$\pm 8 \times 30 \text{mm}$  A	$\pm 15 / 12 \text{mm}$  C	$L=450 \text{mm}$  I11	$\pm 6.3 \times 20 \text{mm}$  M3	$\pm 20 / 8 \text{mm}$  J14	$L=20 \text{mm}$  D2
6	2	2	6	6	4



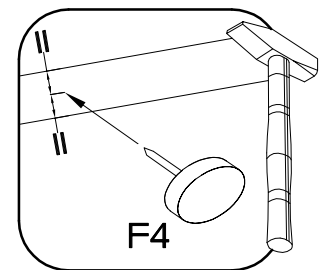
9



10

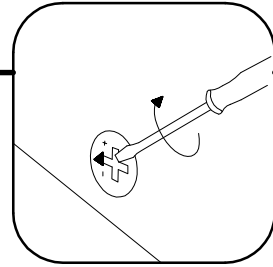
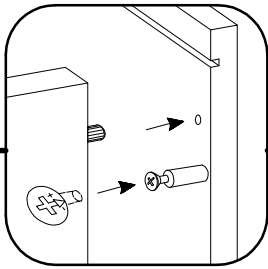
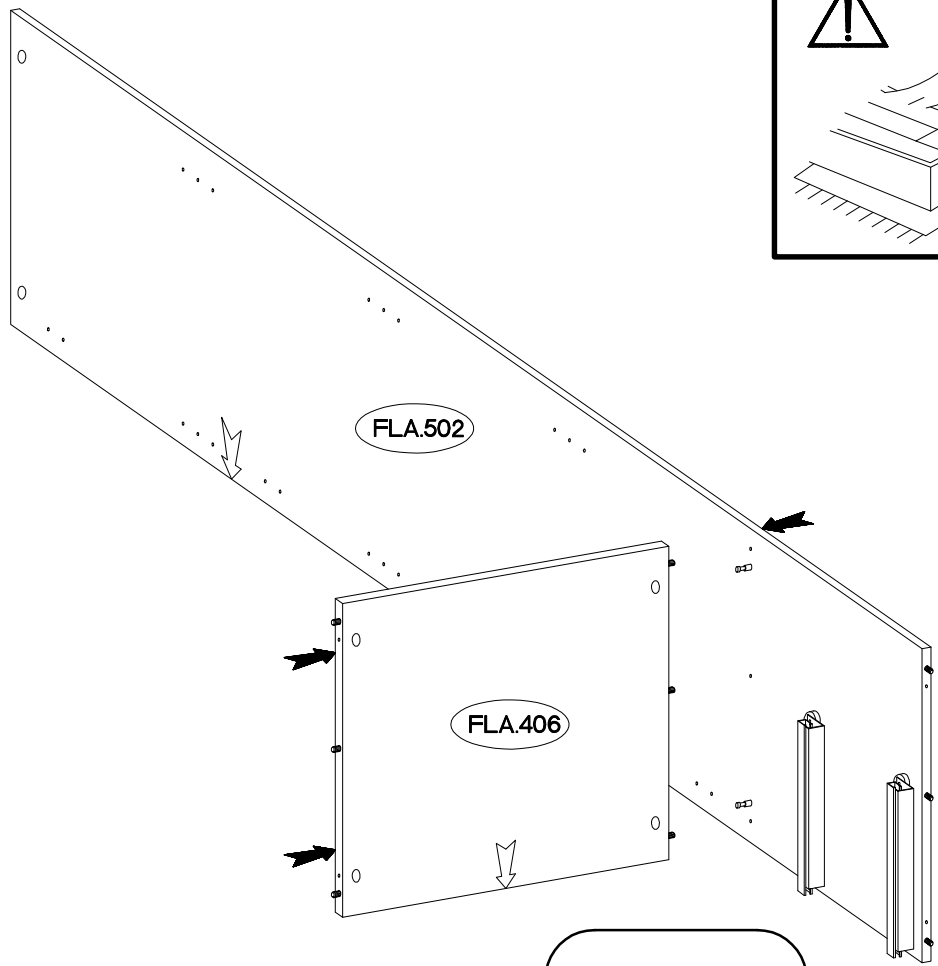
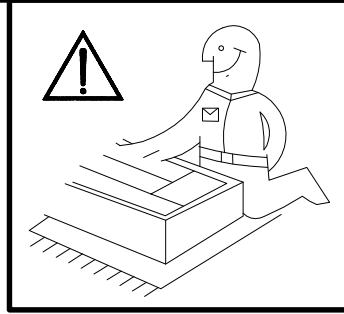


	+4.0x16mm	6.5x48x16	+15x5mm		+8x30mm
T3	P1	F22	F4	O1	A
7	7	8	2	1	12

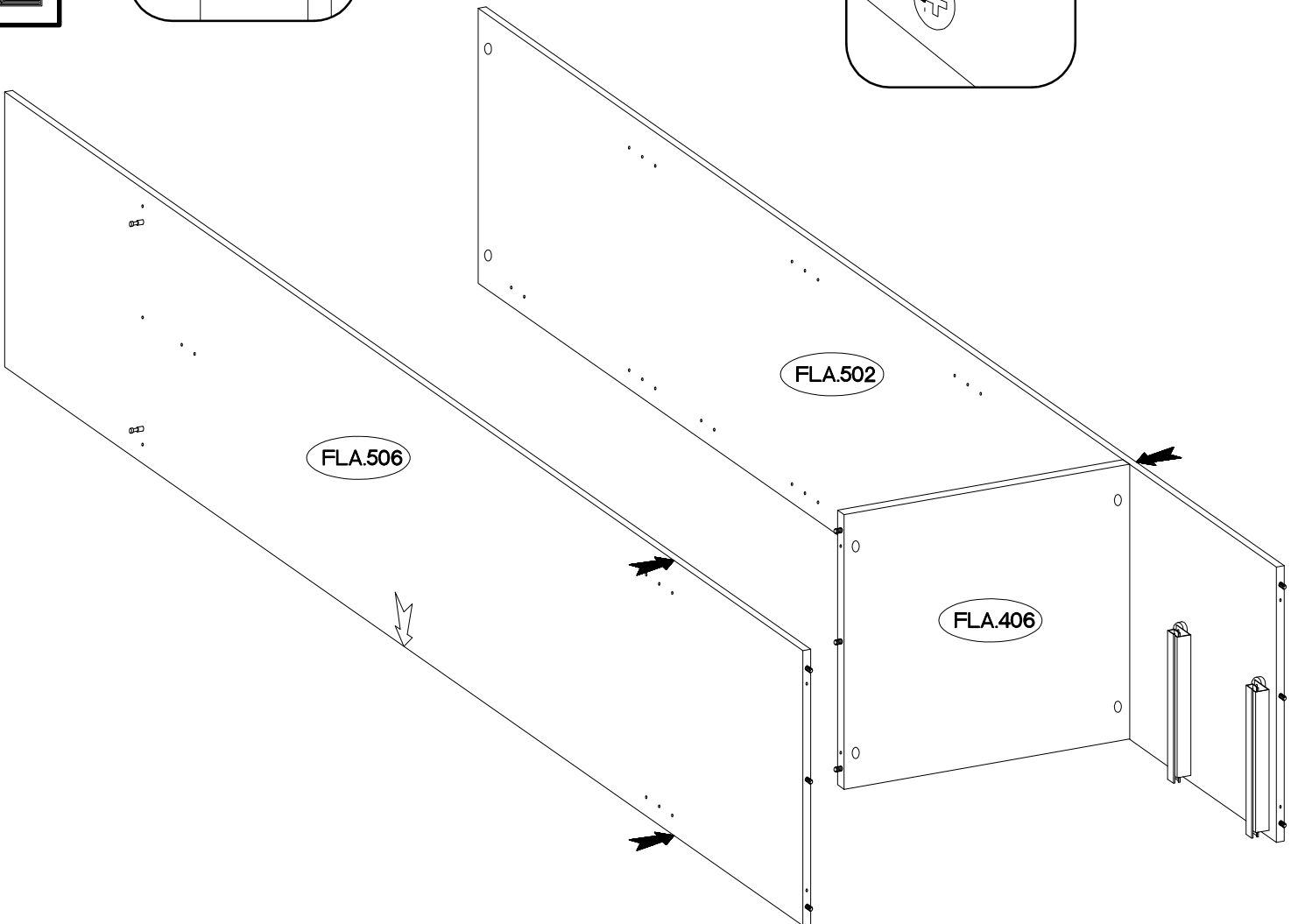




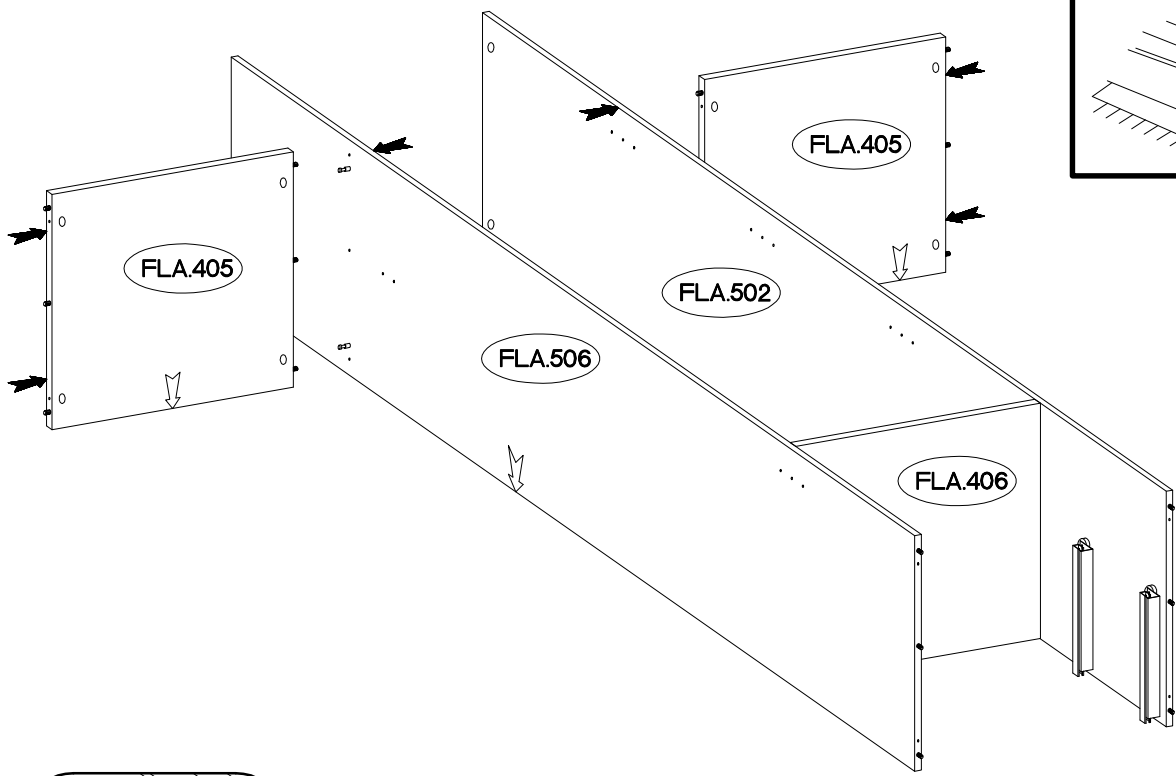
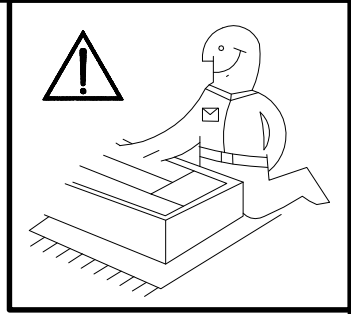
11



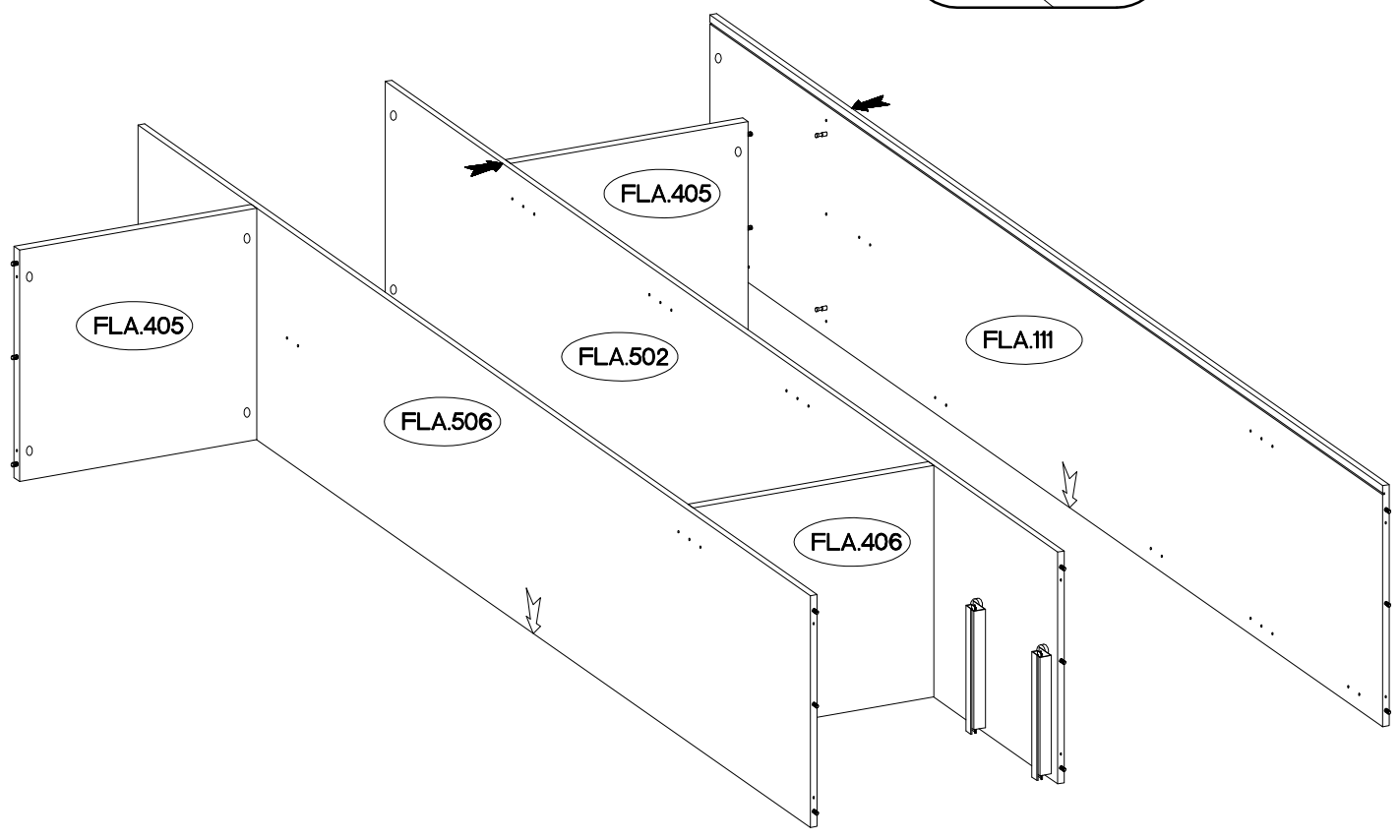
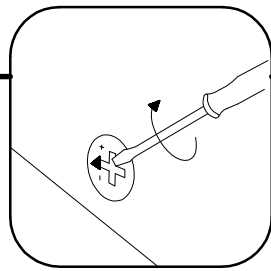
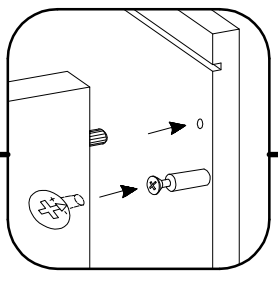
12

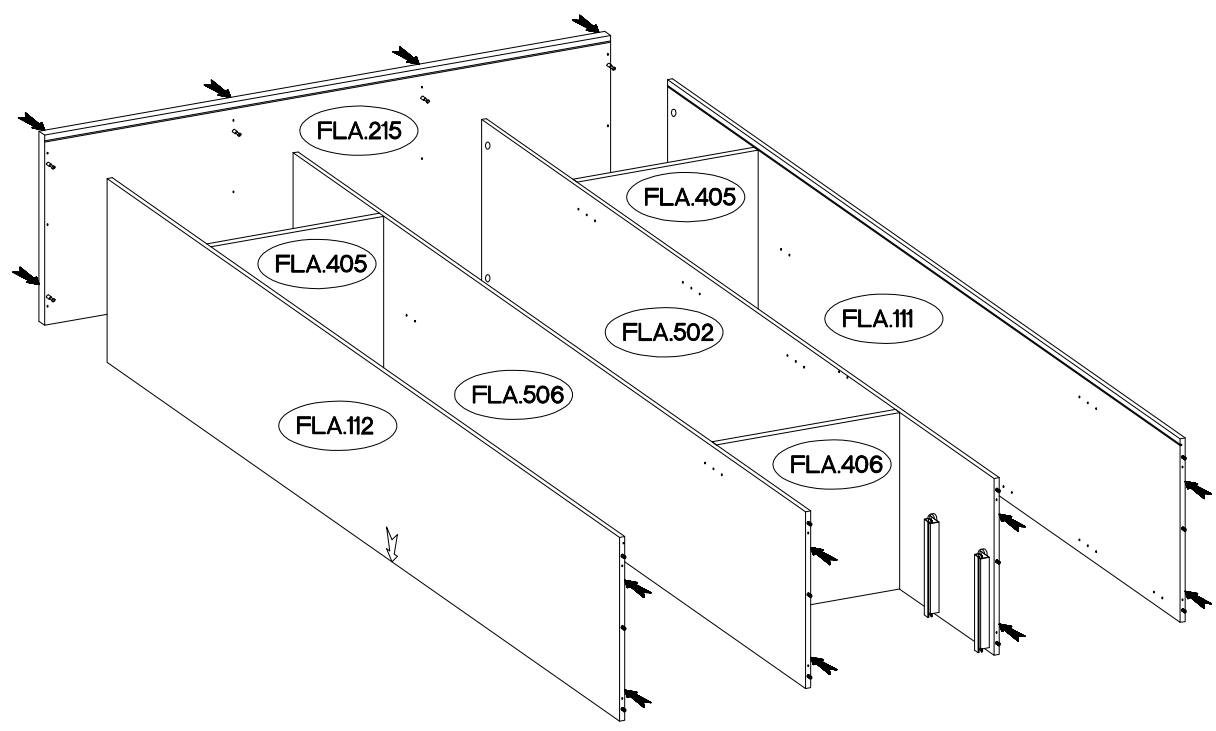
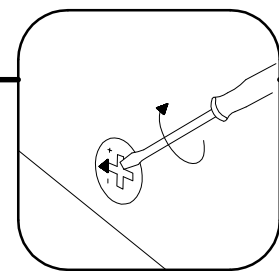
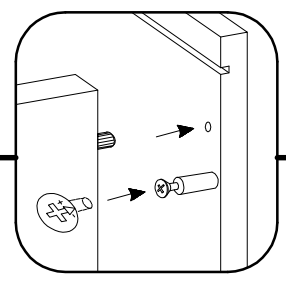
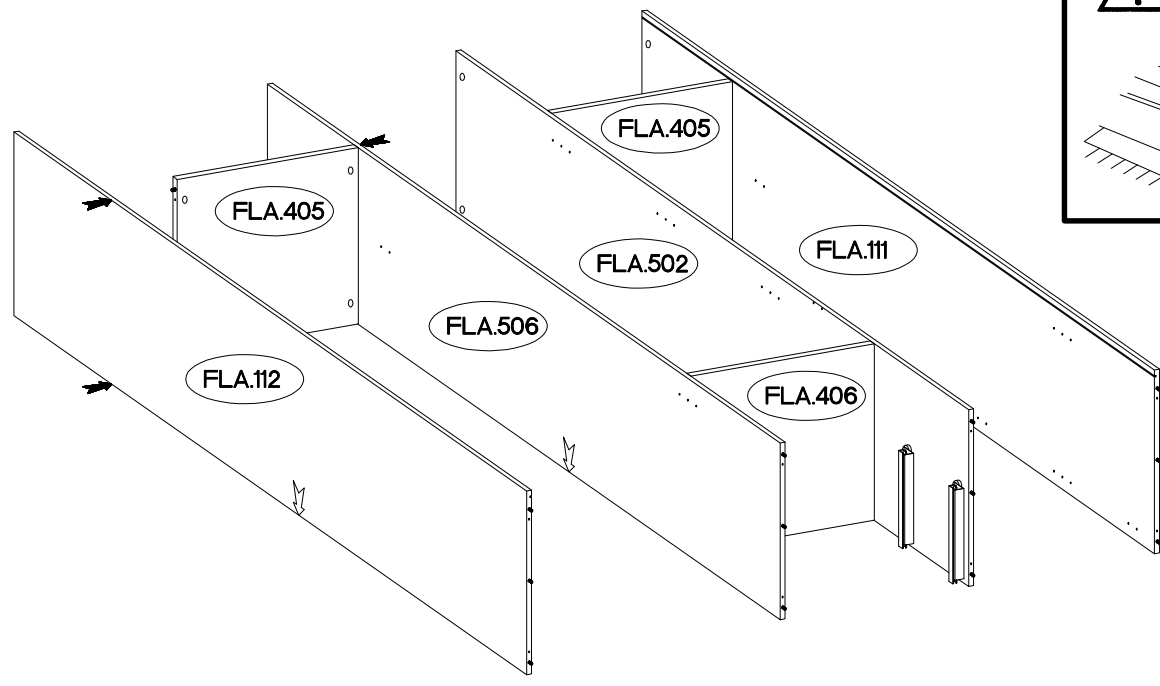
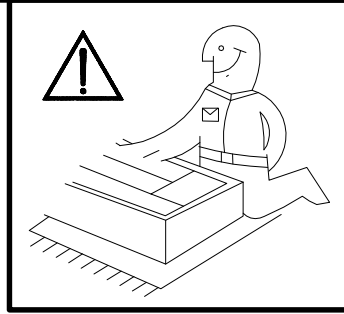


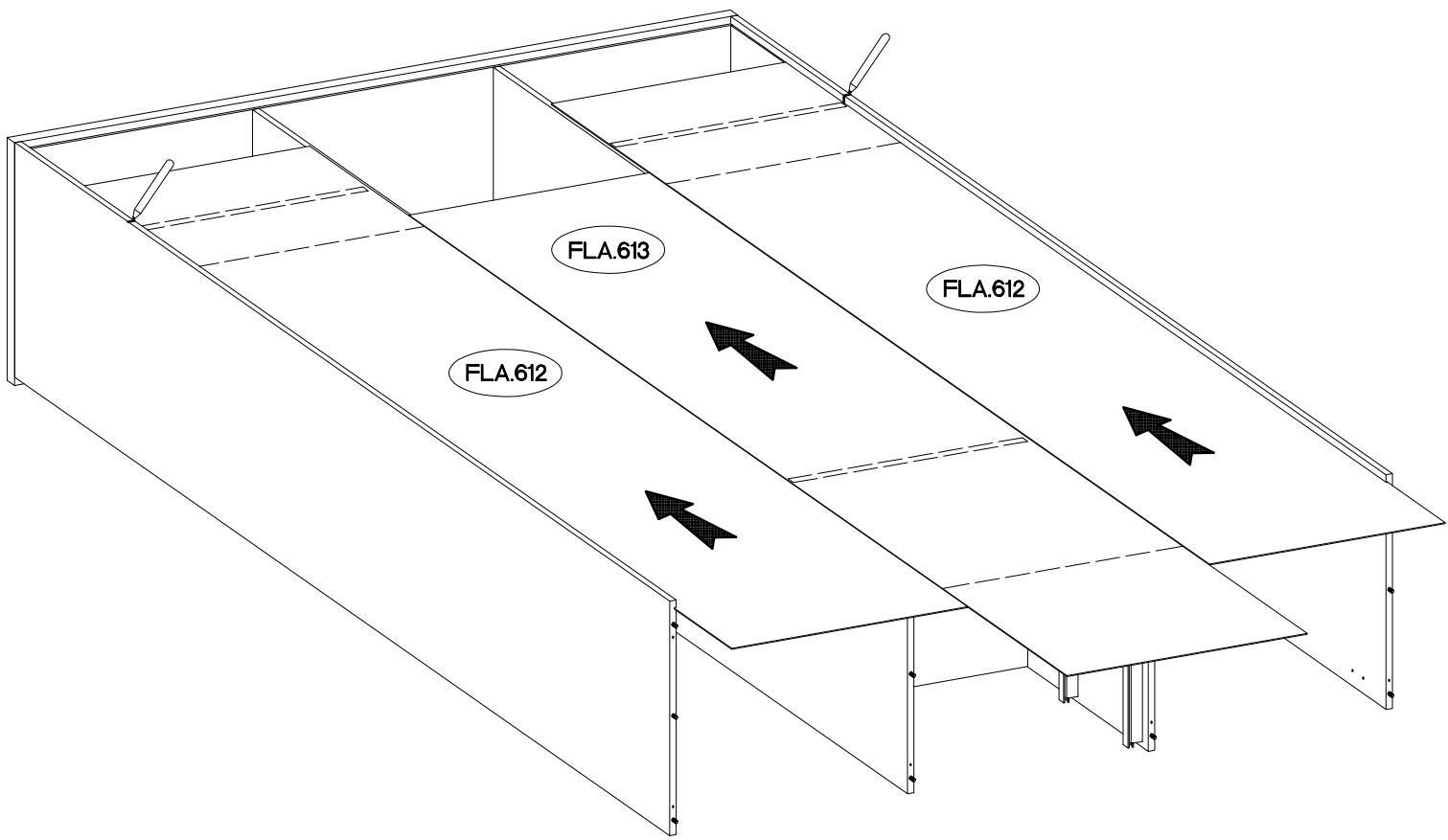
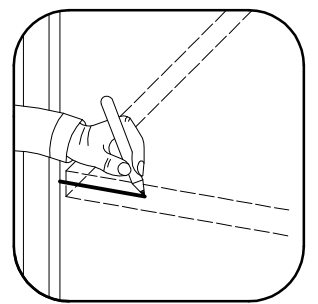
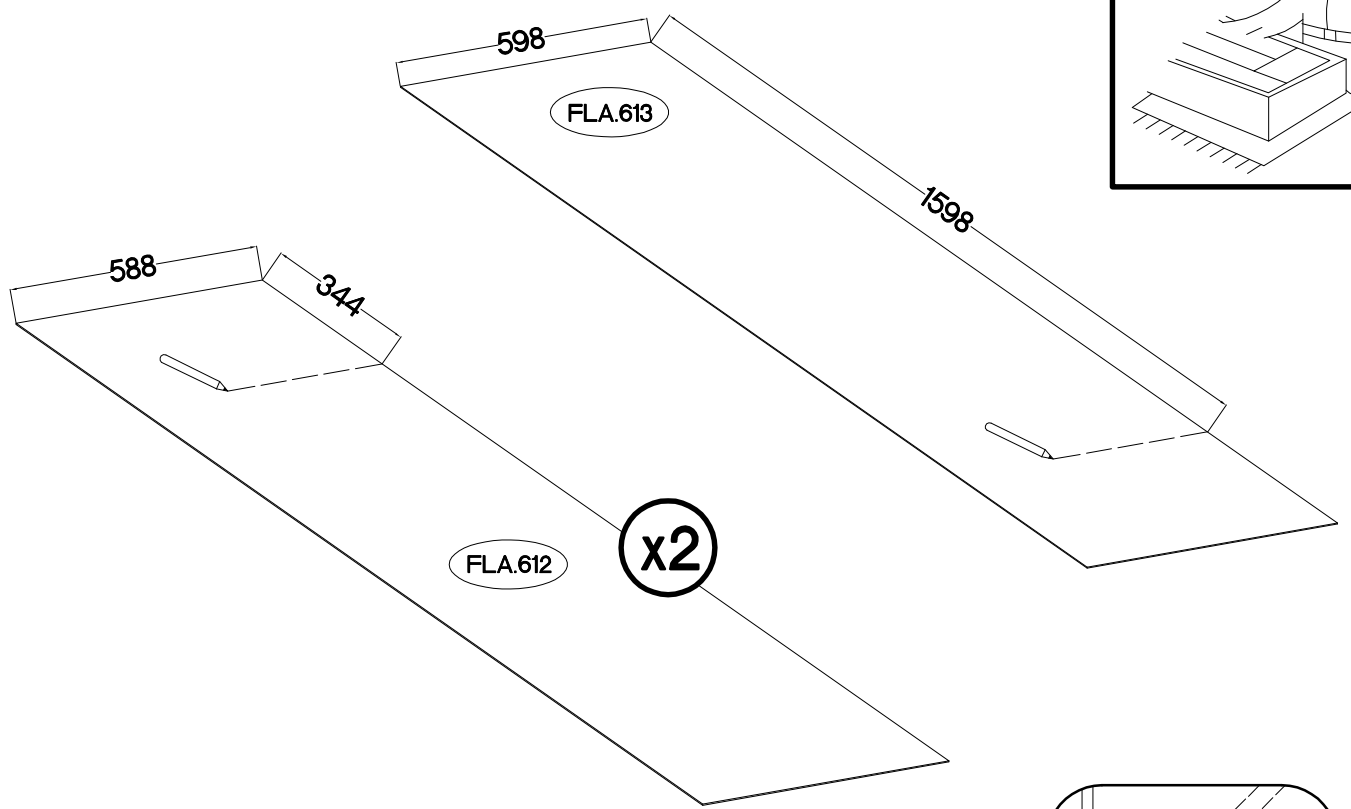
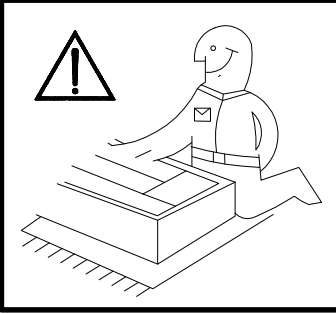
13

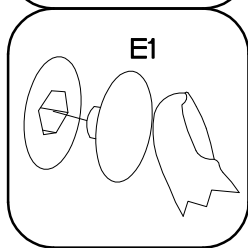
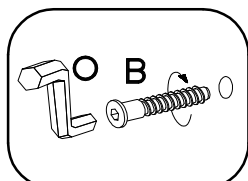
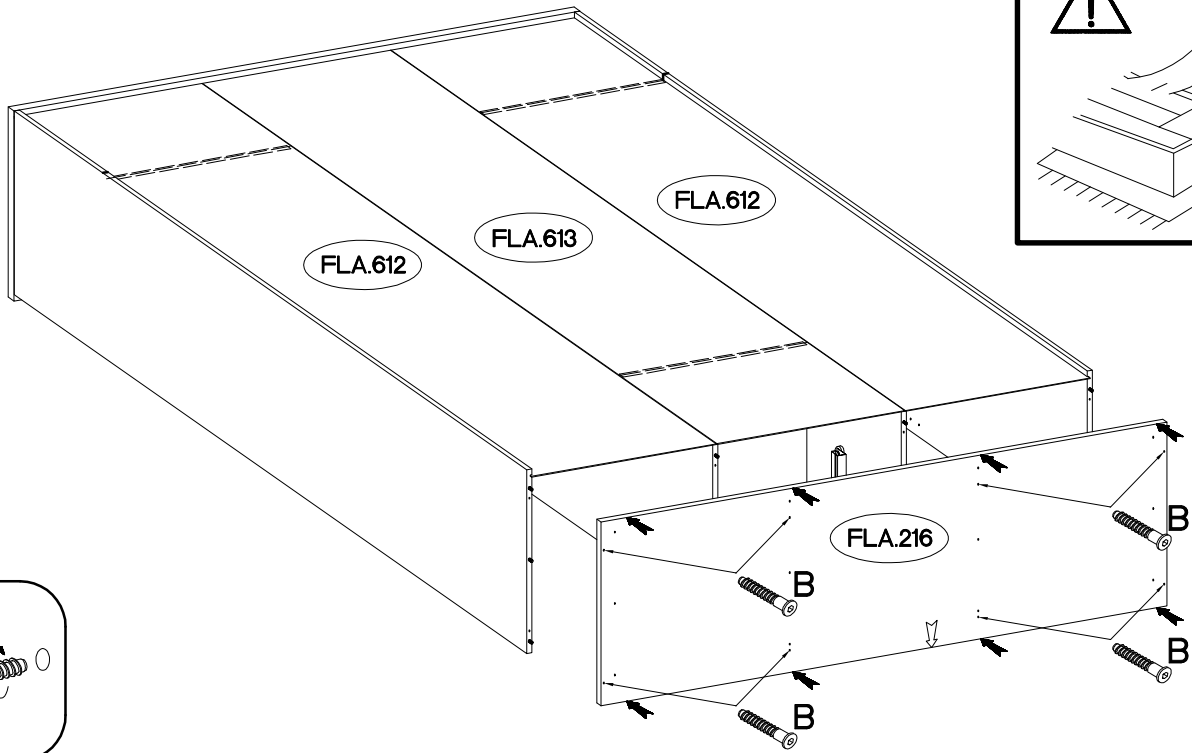
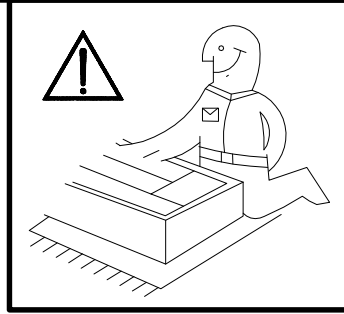


14

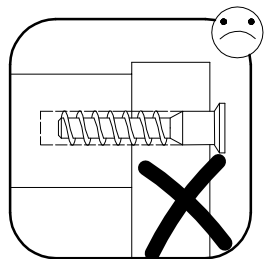
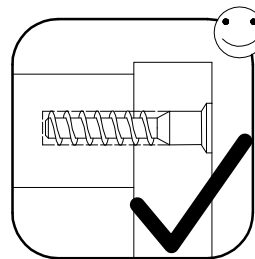




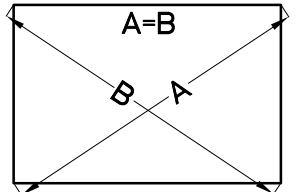
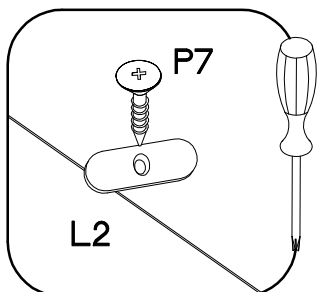
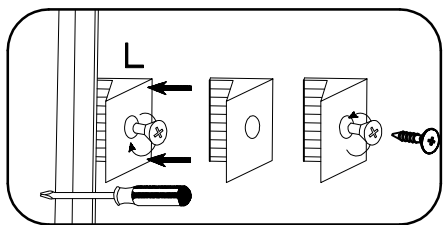
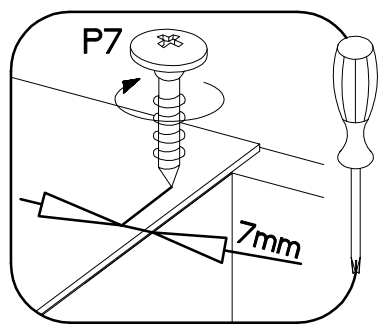
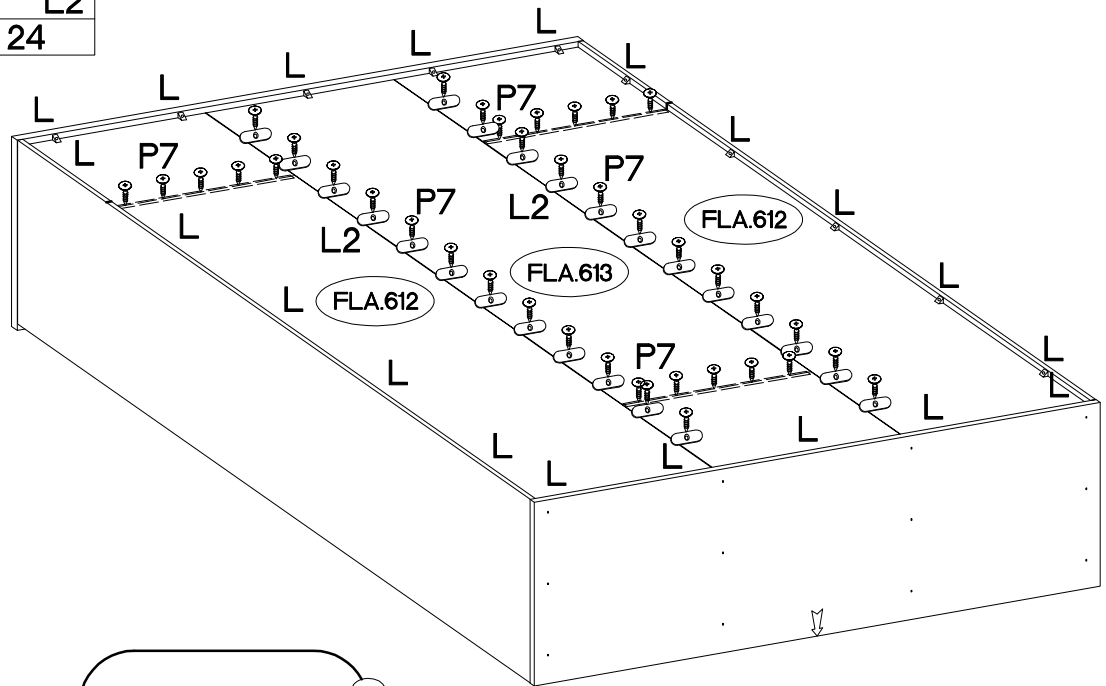




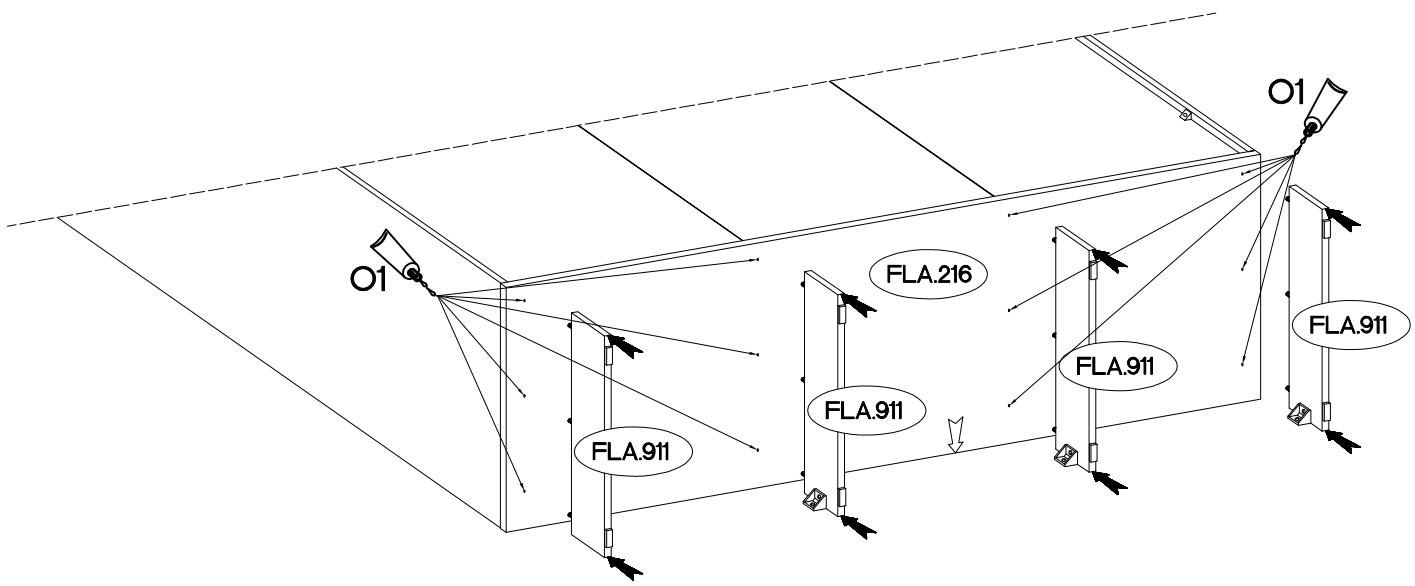
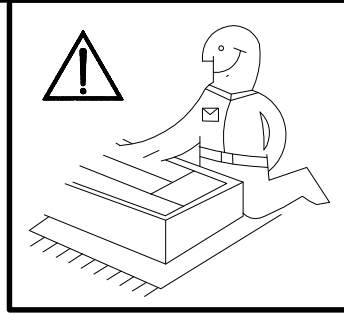
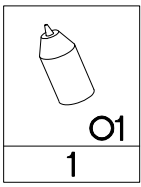
6,4 x 50mm		
<b>B</b>	<b>O</b>	<b>E1</b>
8	1	4



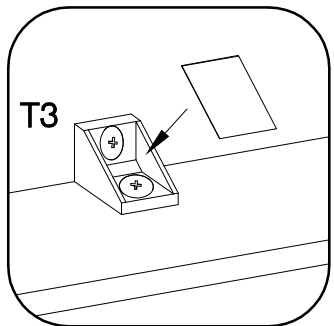
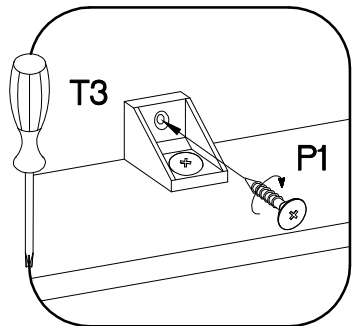
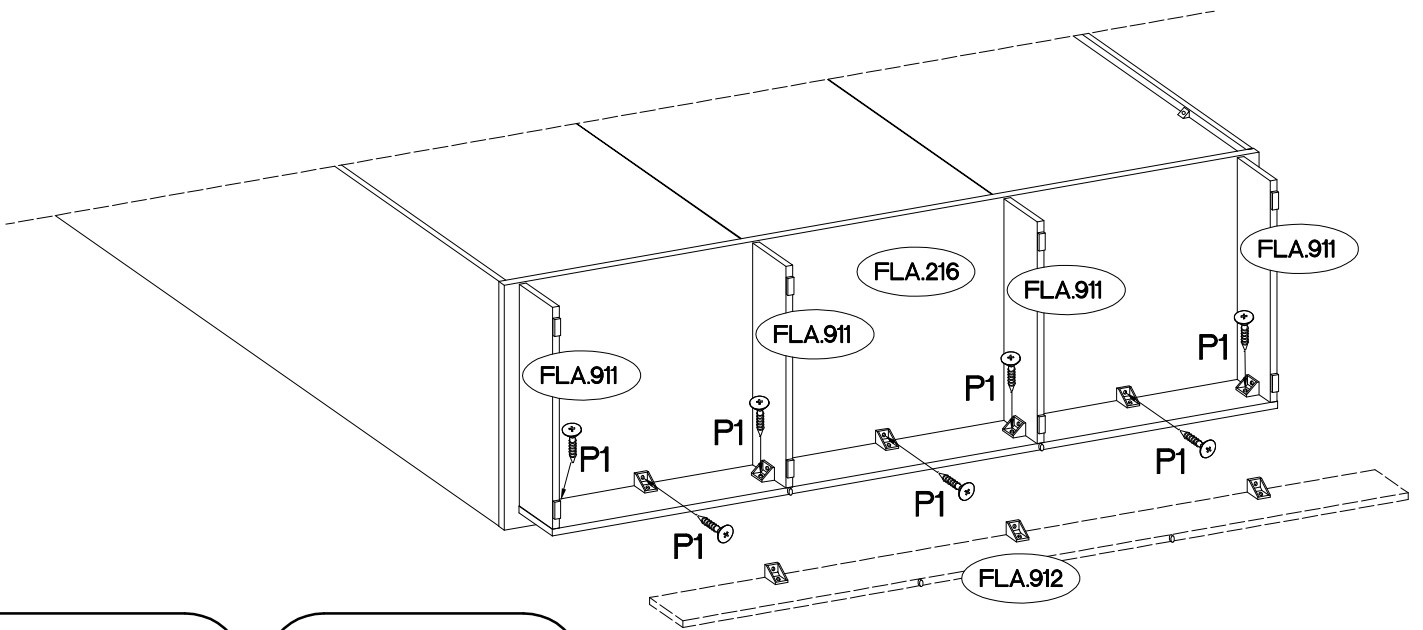
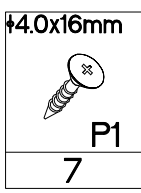
	$\pm 3.0 \times 20 \text{mm}$ 	
<b>L</b>	<b>P7</b>	<b>L2</b>
20	35-40	24

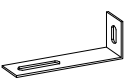





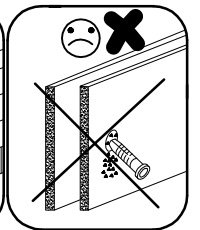
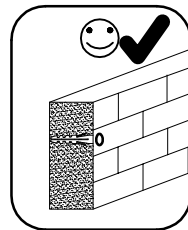
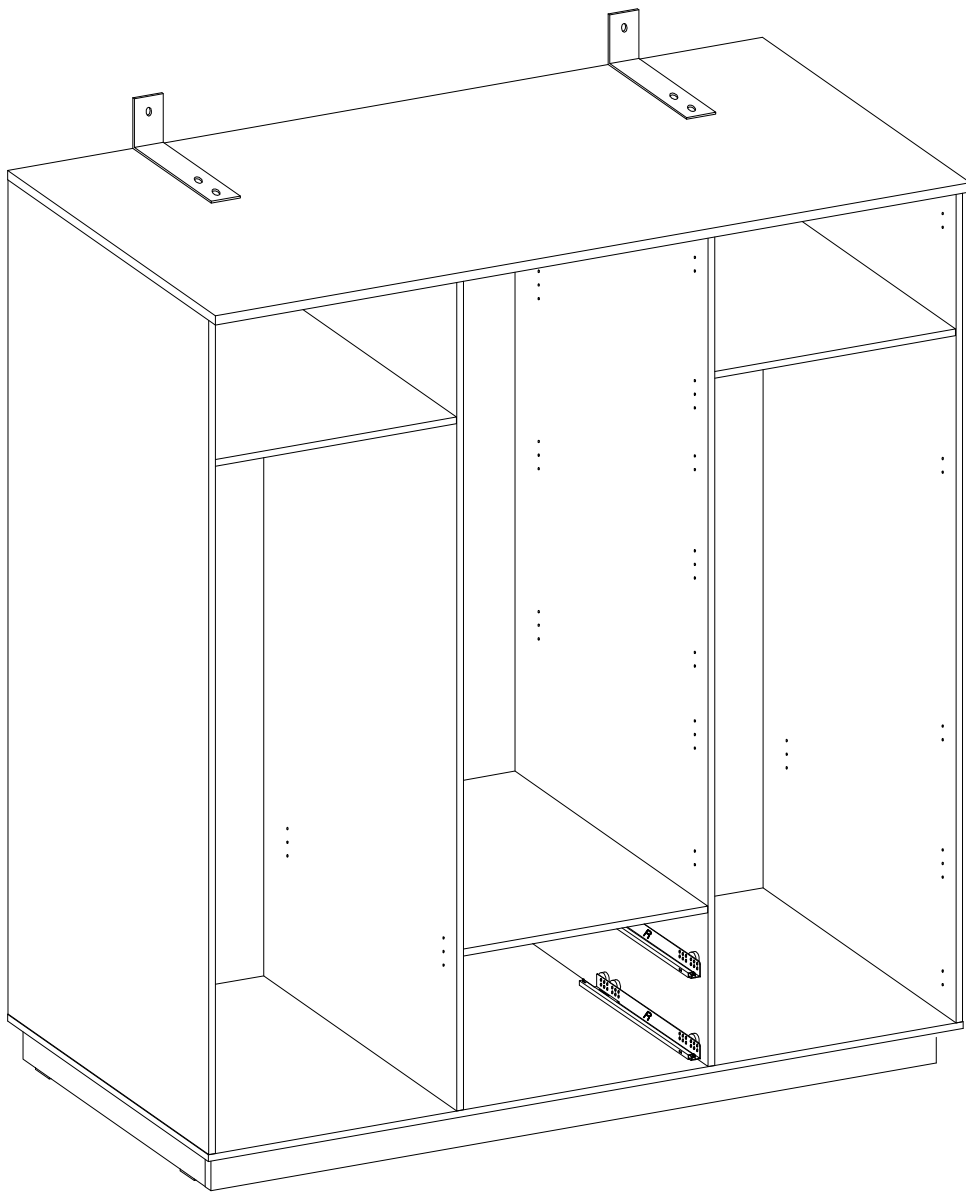
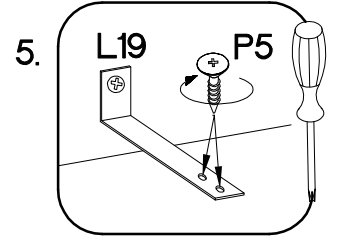
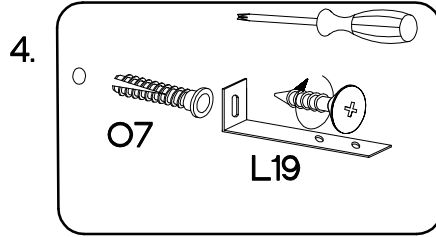
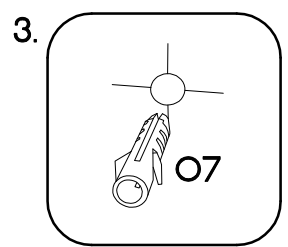
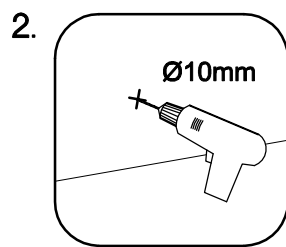
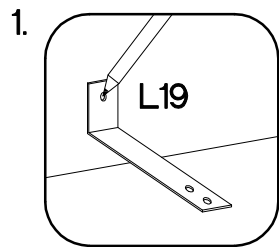
20

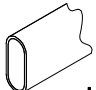





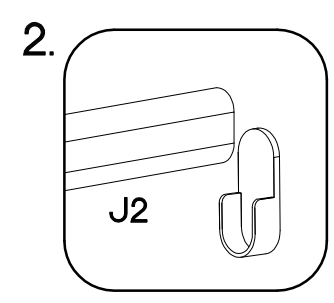
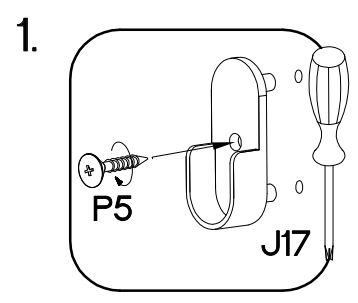
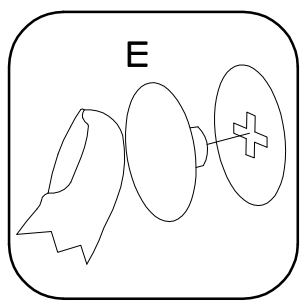
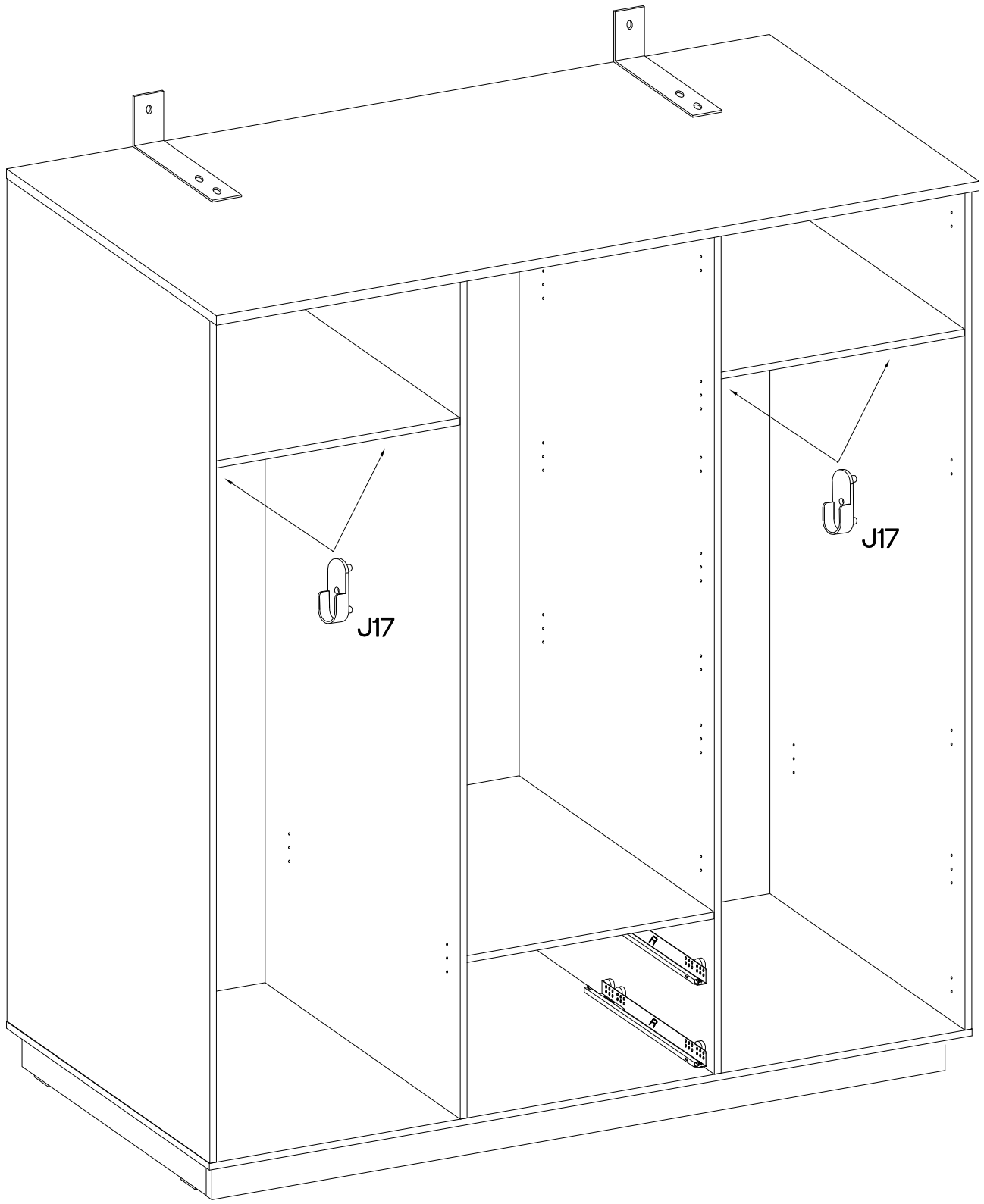
21



	3.5x13mm	5.0x60mm	10x50mm
			
L19	P5	P12	O7
2	4	2	2

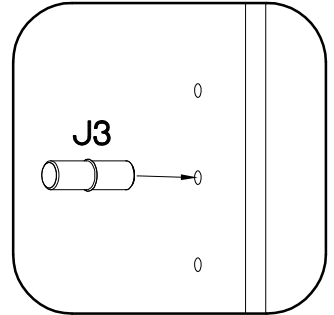
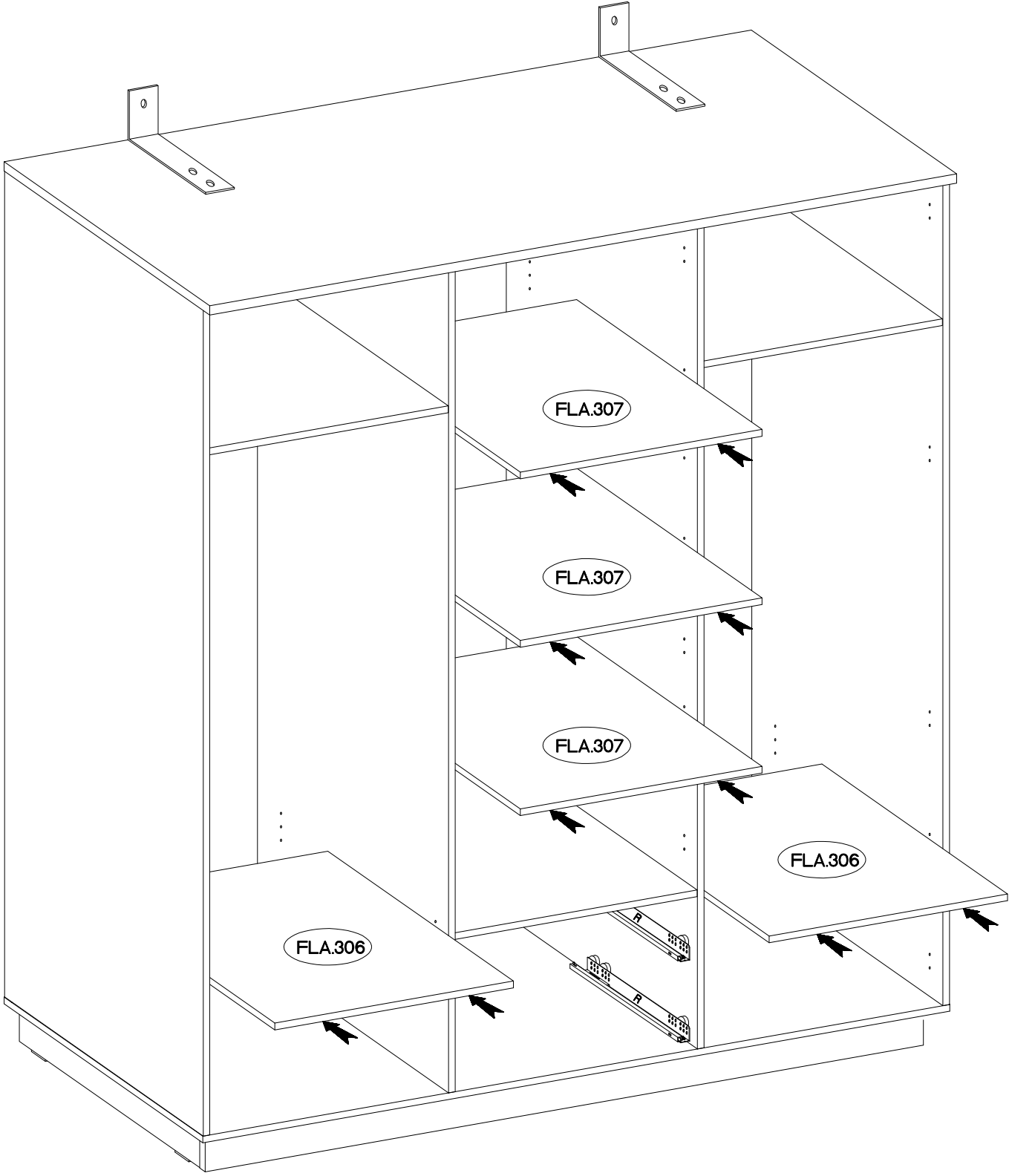
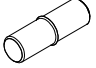


L=570mm  J2	 J17	φ3.5x13mm  P5	 E
2	4	4	20

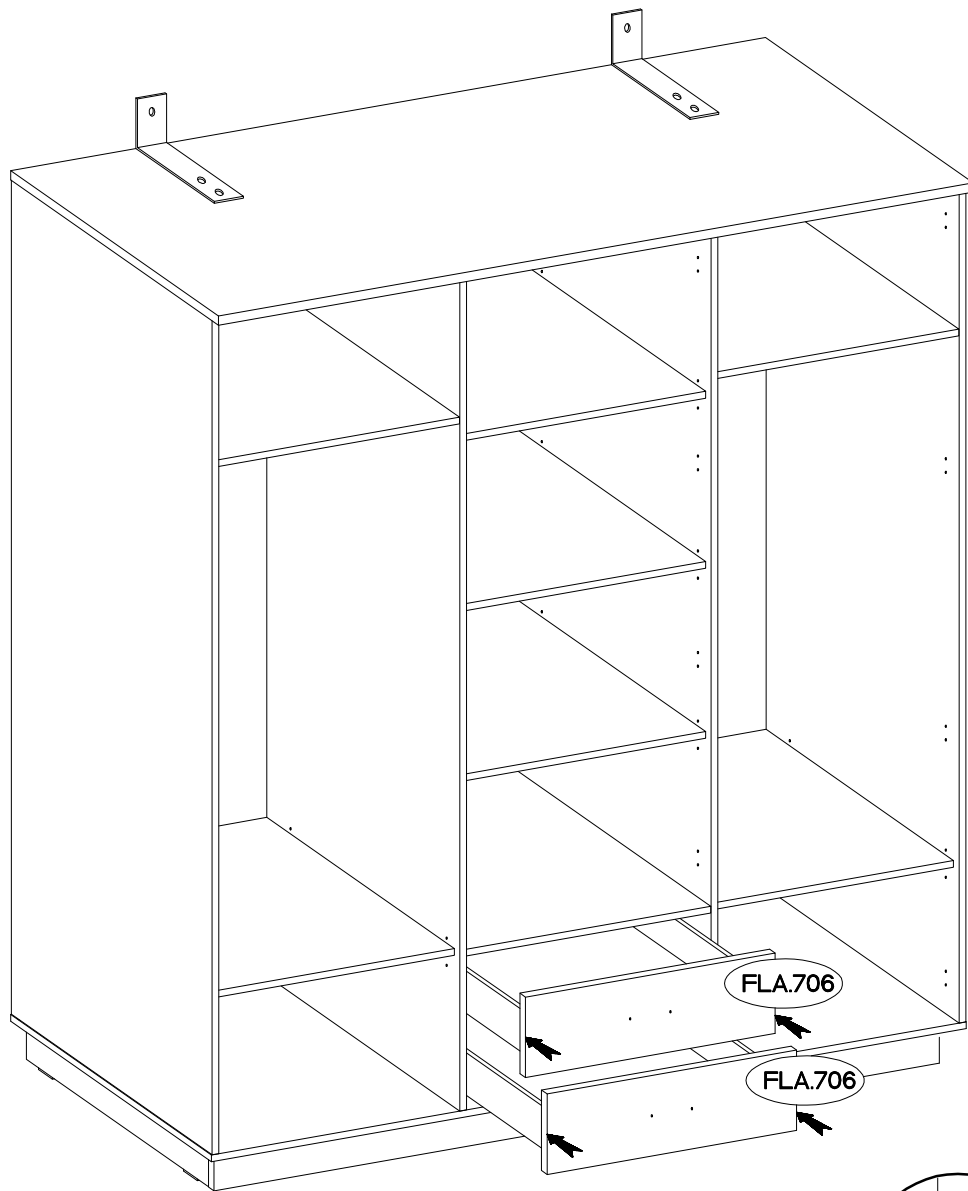




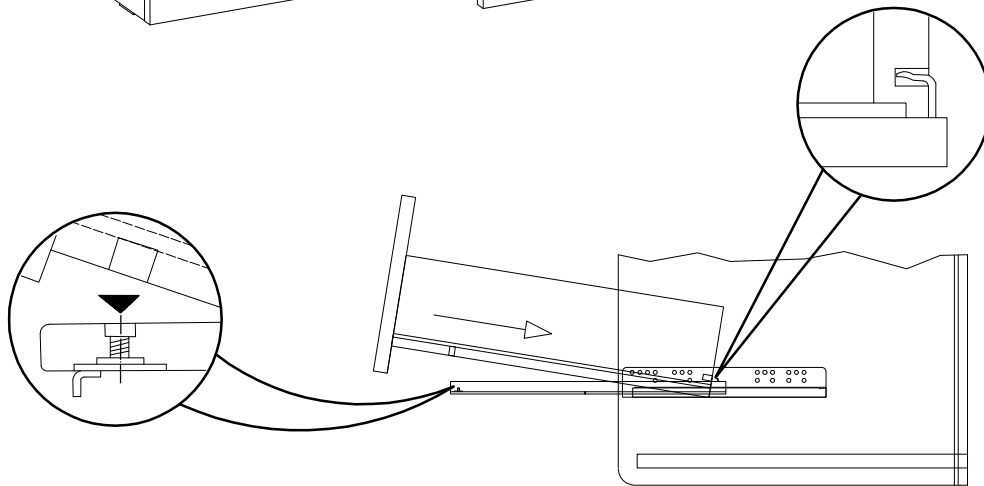
±5/16mm  
J3  
20



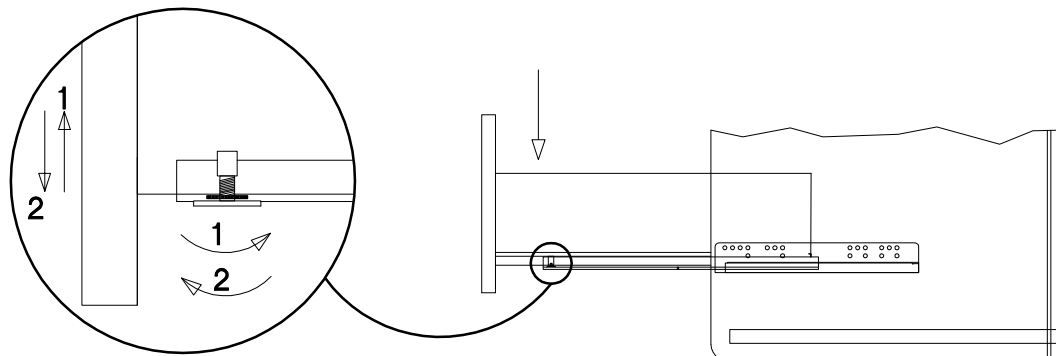
J3

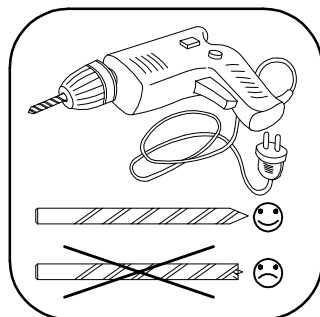
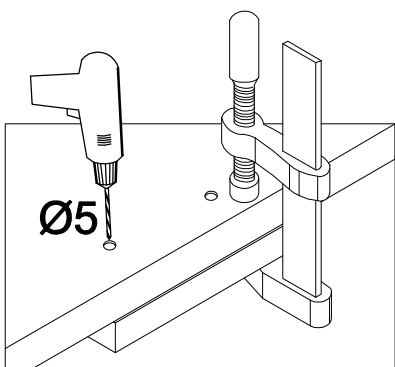
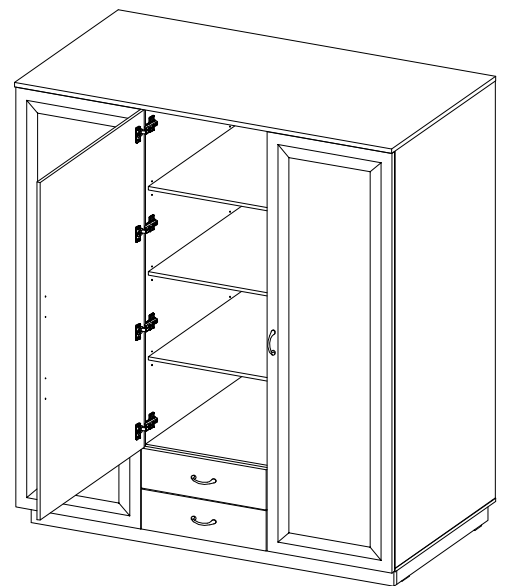
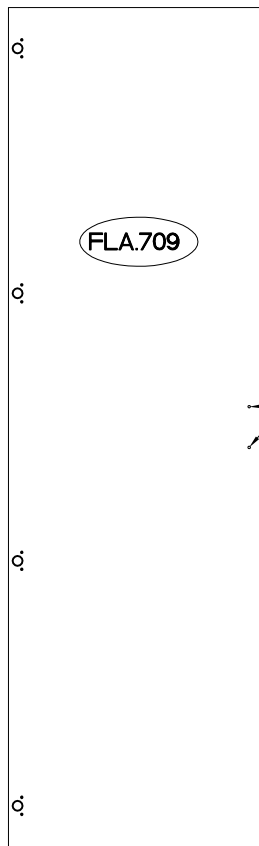
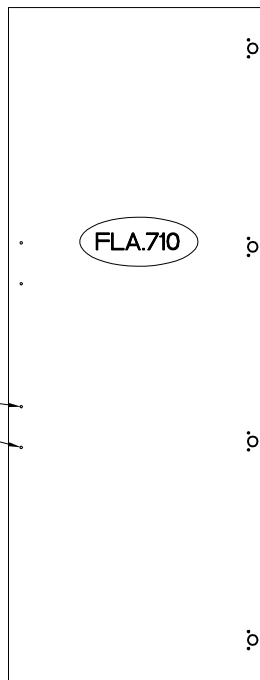
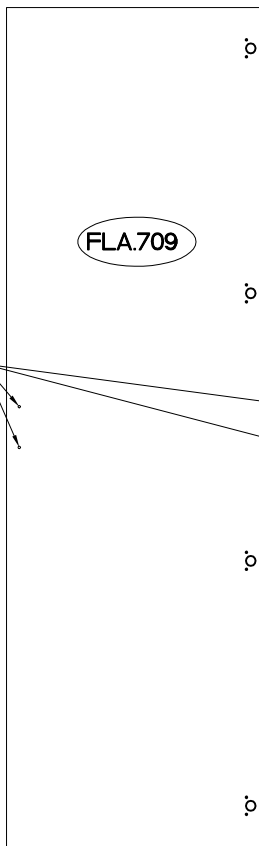
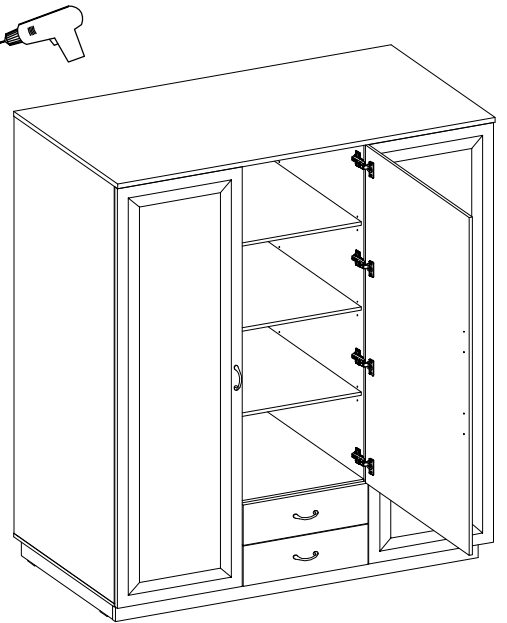
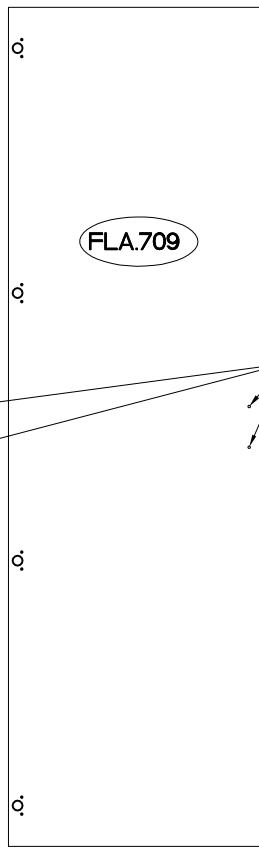
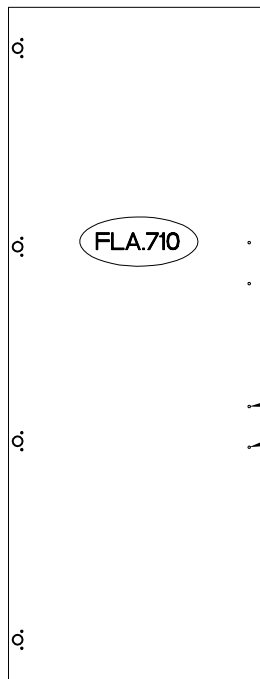
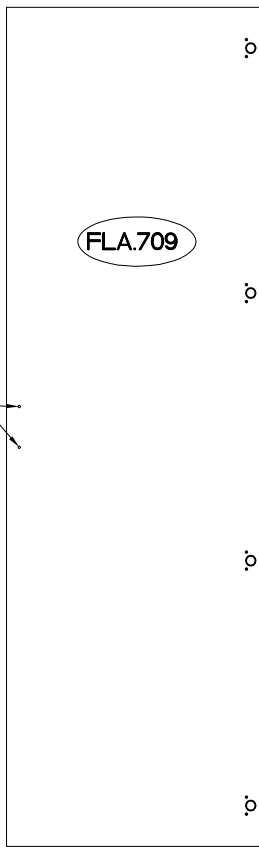



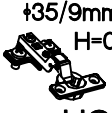

1.

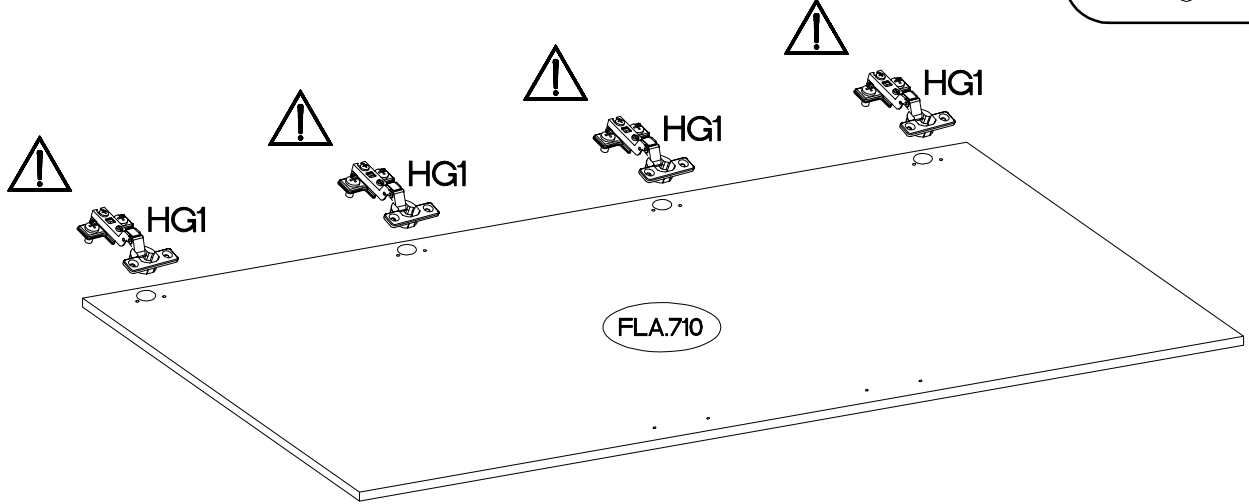
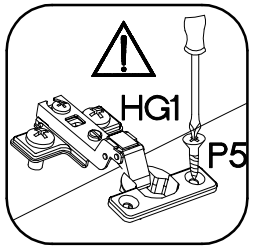
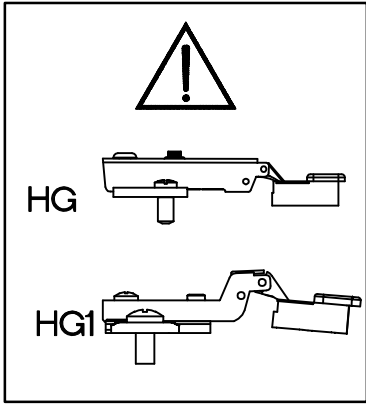
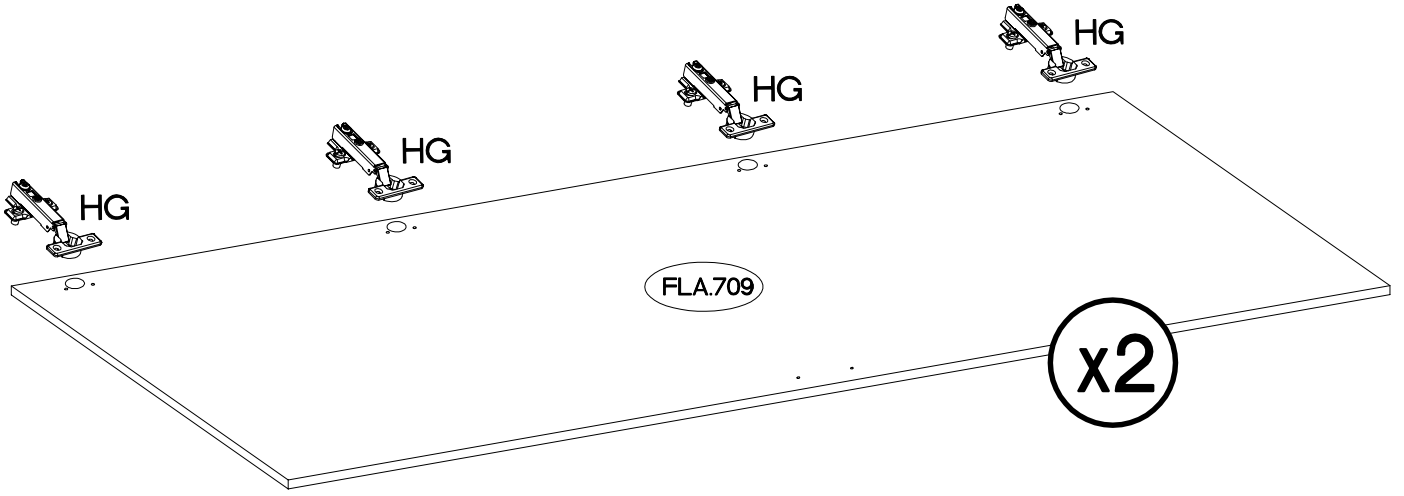
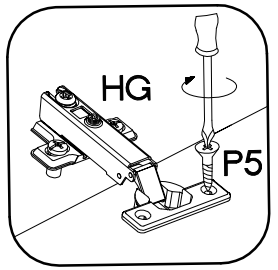




2.

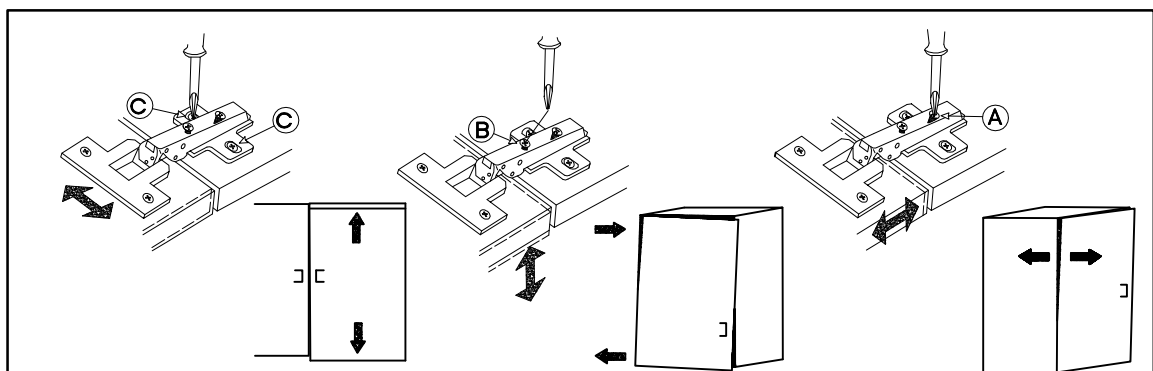
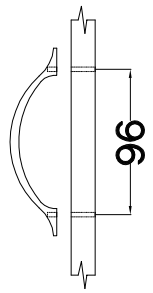
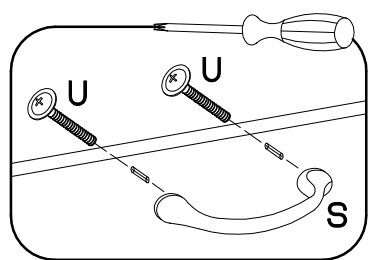
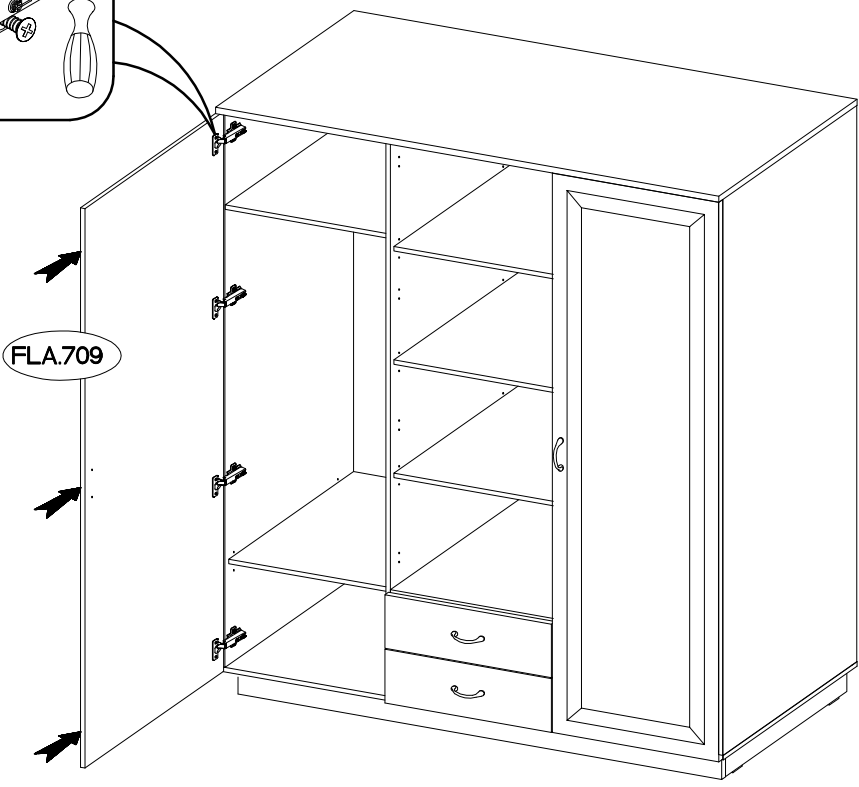
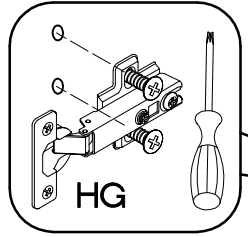
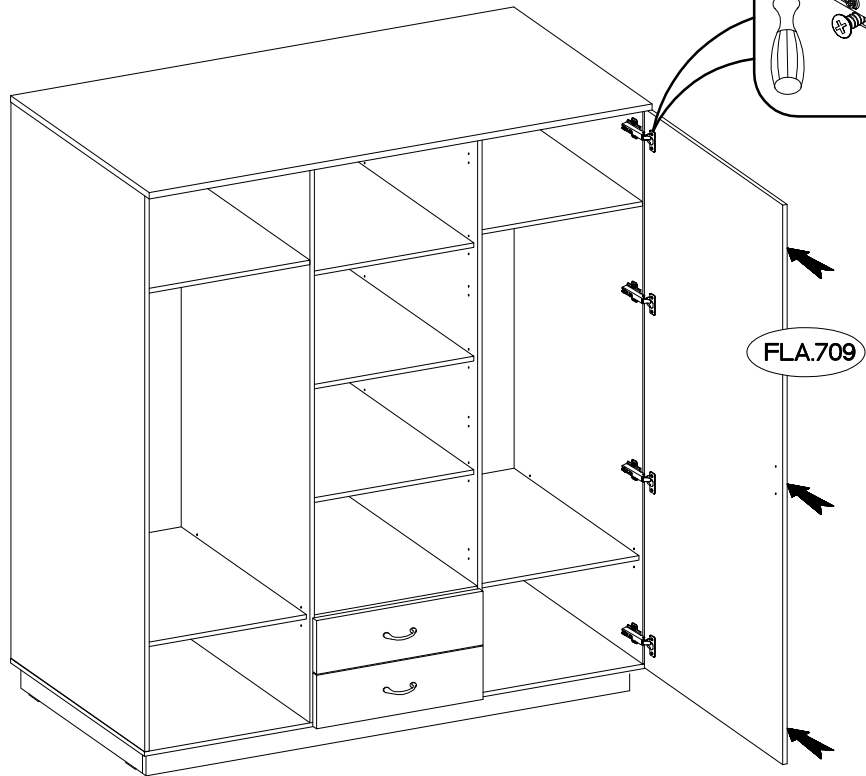
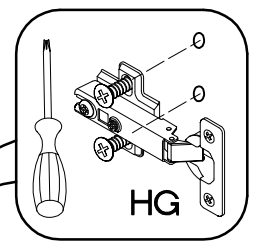






 HG 8	 HG1 4	 P5 24
---	--	--



M4x22mm	
	
U	S
8	4



M4x22mm	
	
U	S
2	1

