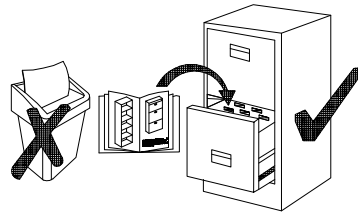
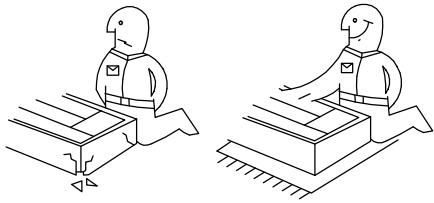
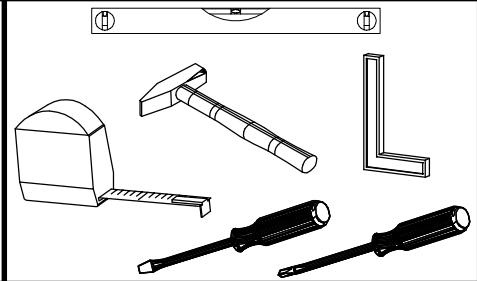
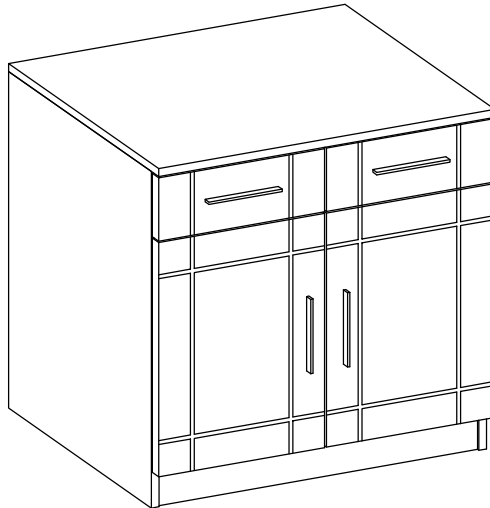


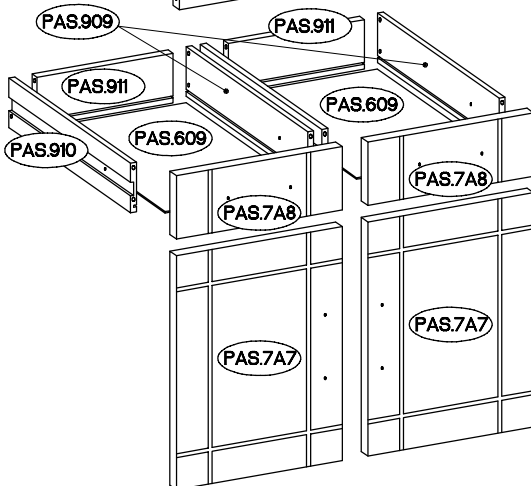
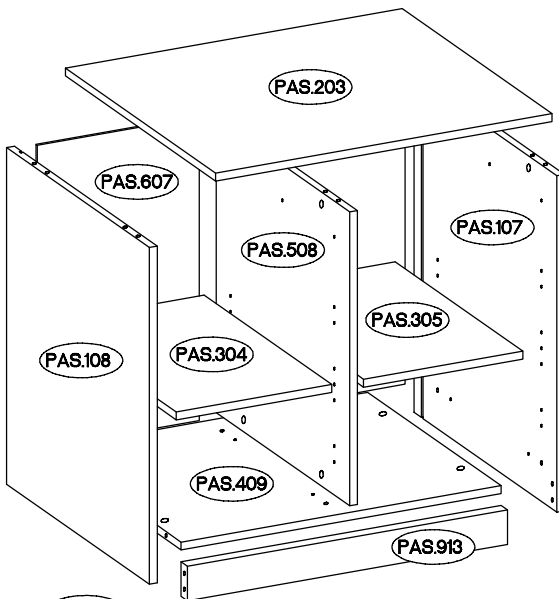
PARIS 2F2S



WH2F2S
SO2F2S

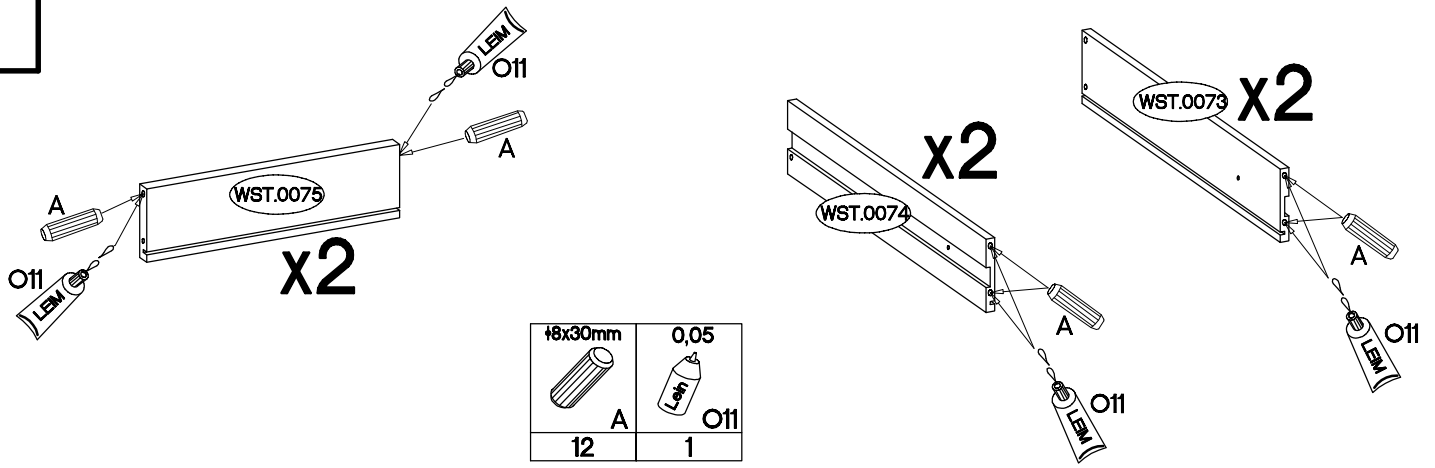


Coli	Ersatzteil Nummer	Dimension
1/2	PAS.7A7 x2	473x340x16
	PAS.7A8 x2	340x128x16
Coli	Ersatzteil Nummer	Dimension
2/2	PAS.107	680x352x16
	PAS.108	680x352x16
	PAS.203	690x370x16
	PAS.304 x2	319x315x16
	PAS.409	656x329x16
	PAS.508 x1	594x329x16
	PAS.607 x2	614x332x2,5
	PAS.609 x2	296x289x2,5
	PAS.909 x2	300x100x12
	PAS.910 x2	300x100x12
PAS.911 x2	279x100x12	
PAS.913	656x70x16	

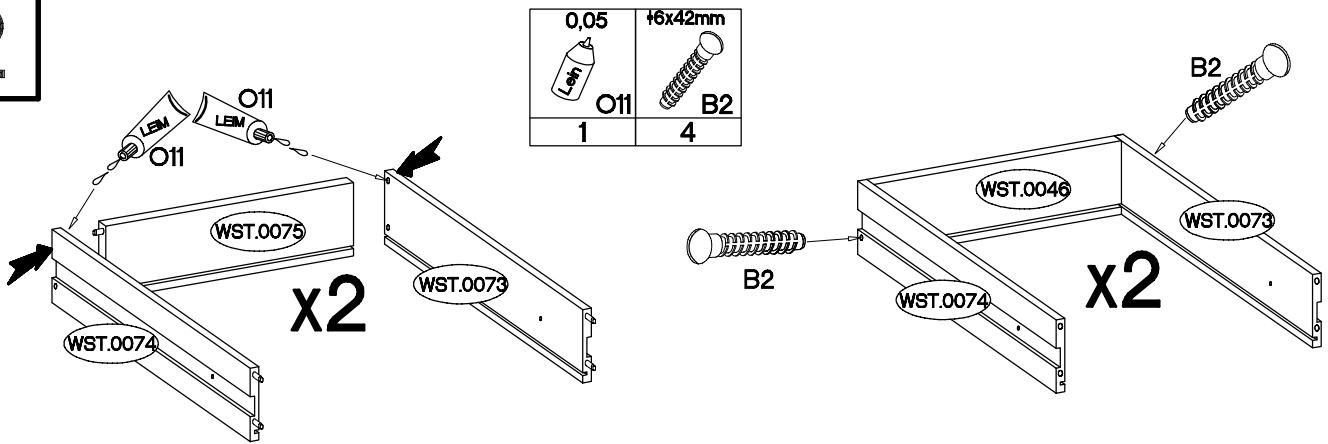


L9	O7	O11	J3	
1	1	1	8	
+6,3x20mm	L=128mm	+6,3x13mm	27/214mm	+6x42mm
M3	S11	M2	I3	B2
4	4	4	2	4
+20/8mm	+4.0x30mm	+3.5x13mm	+15x5mm	6.5x48x16
J14	R2	P5	F4	F2
4	8	9	1	4
		+3.0x20mm	+35/0mm	H=0
L	L2	P7	G	H
6	4	10	4	4
M4x9mm	+15/12mm	+8x30mm	L=20mm	
U1	C	A	D2	E
4	12	28	12	6

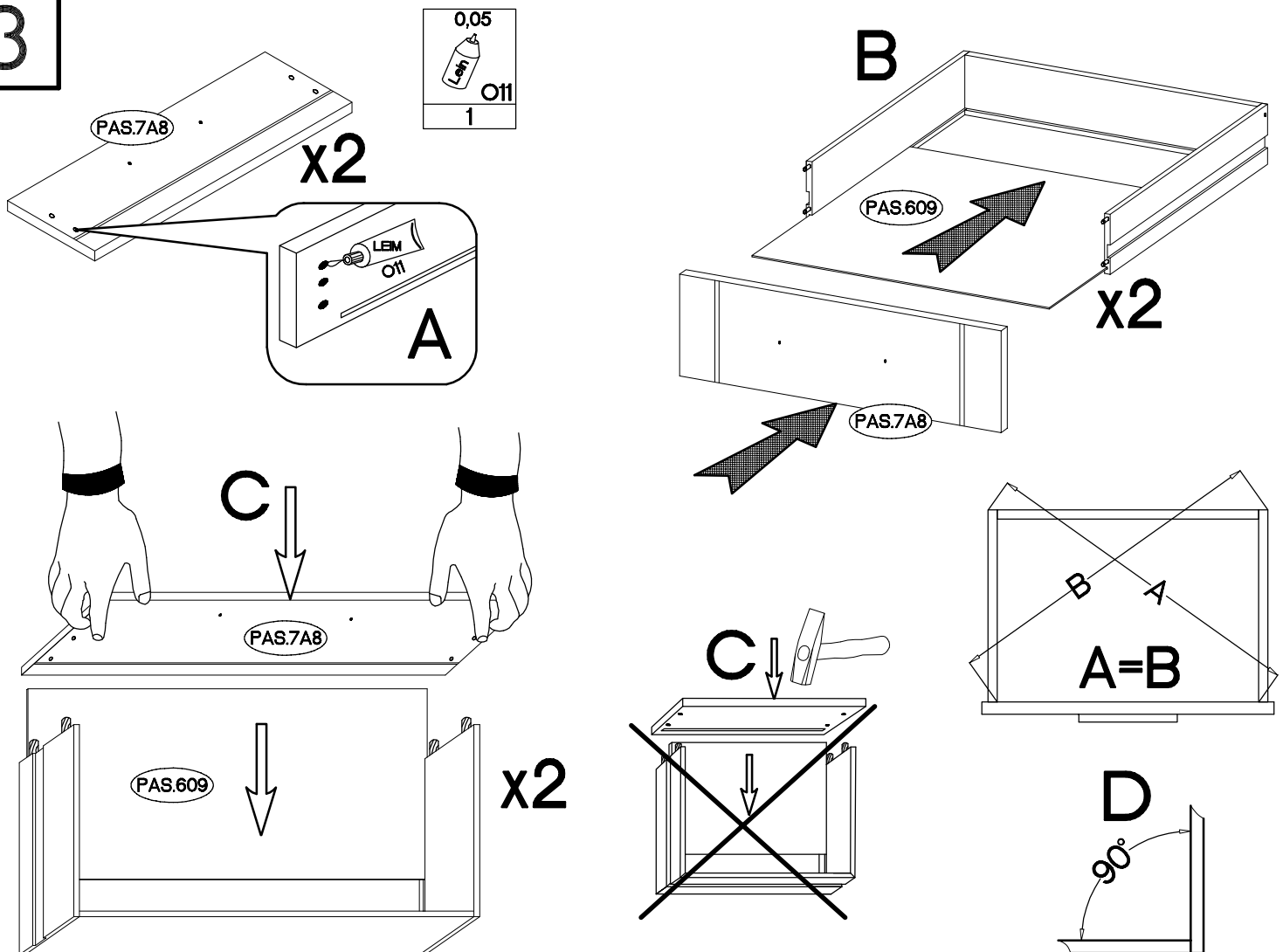
1


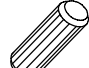









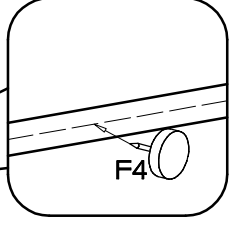
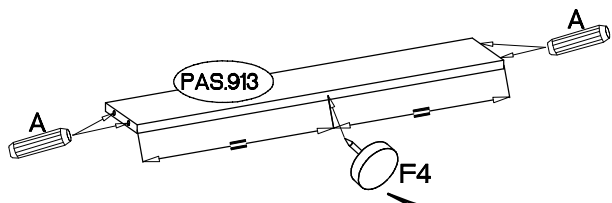
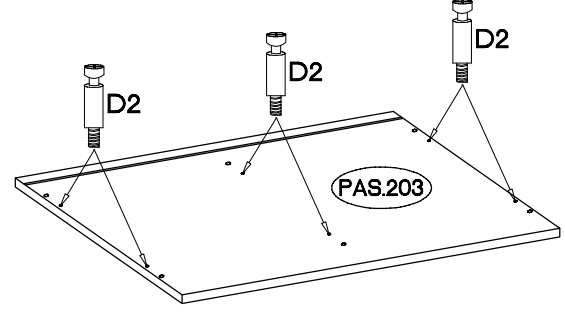
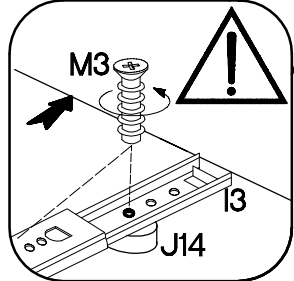
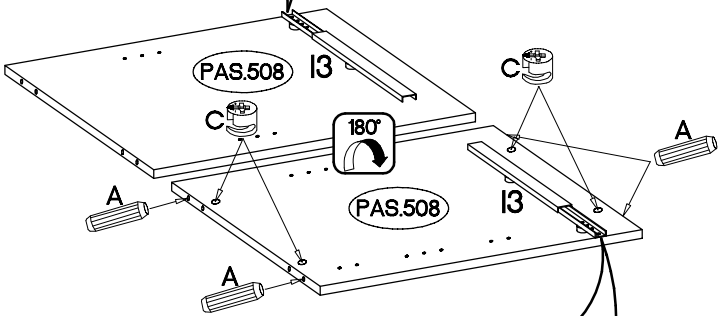
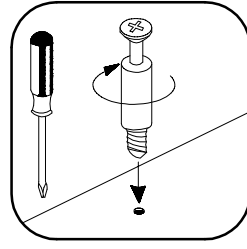
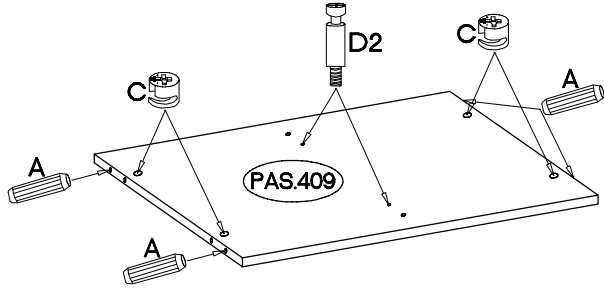
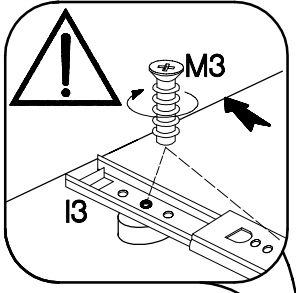
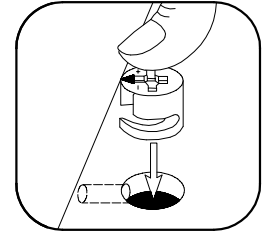
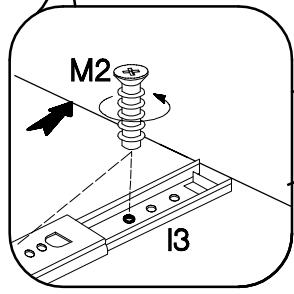
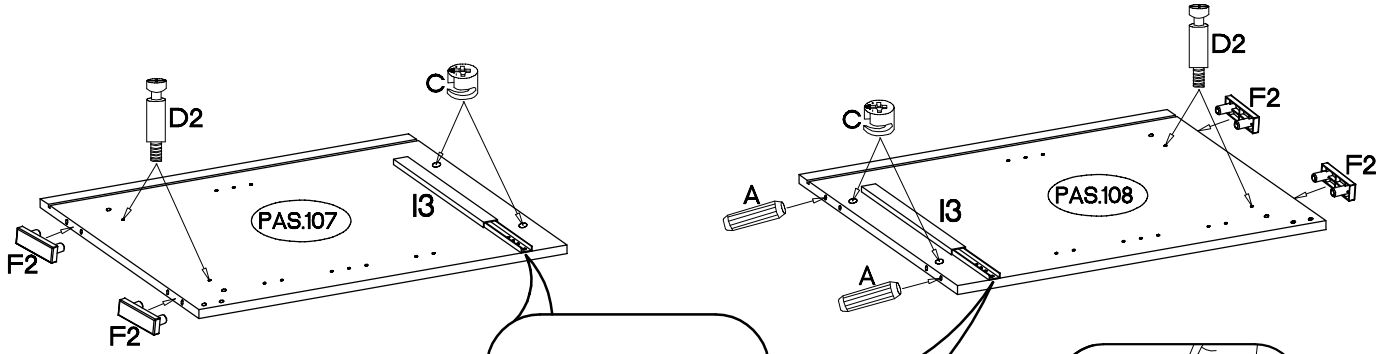
2



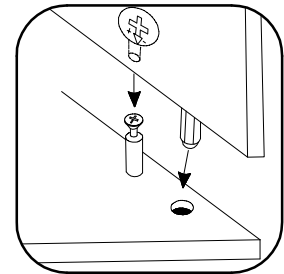
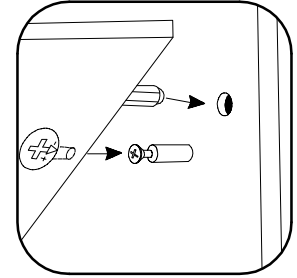
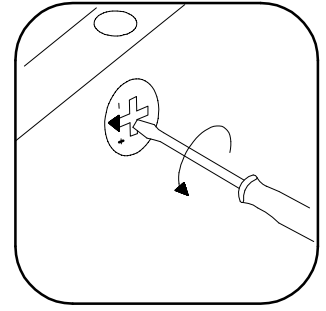
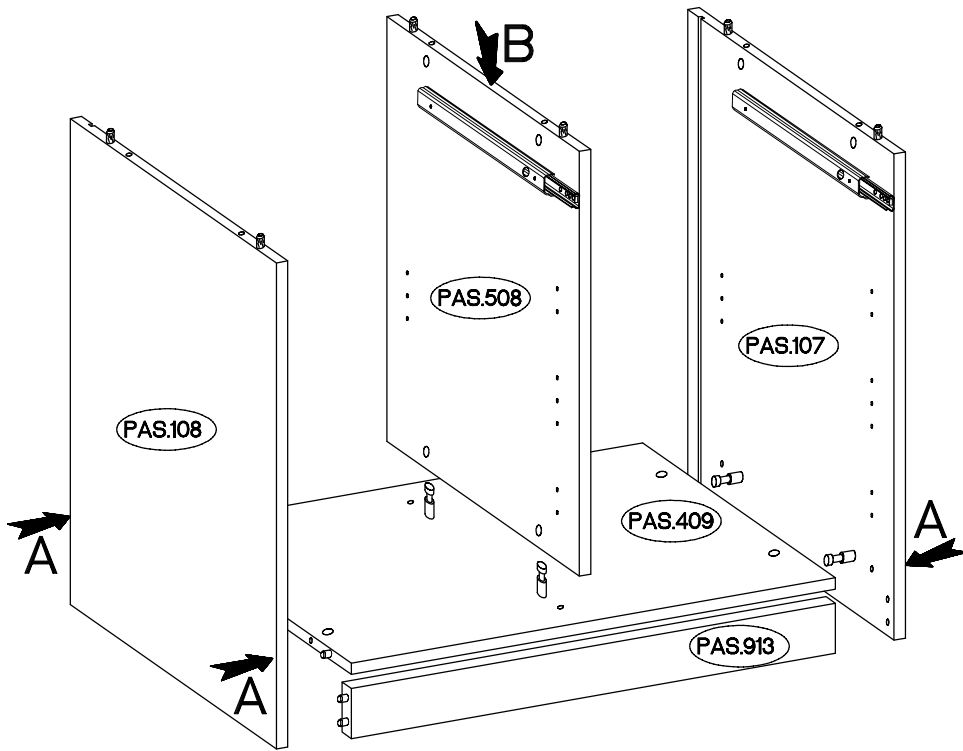
3



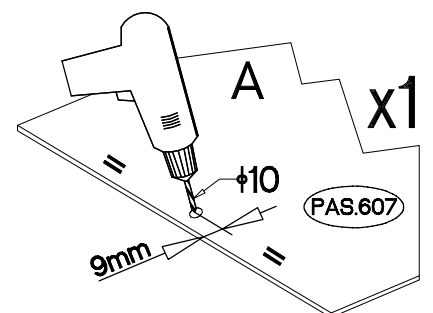
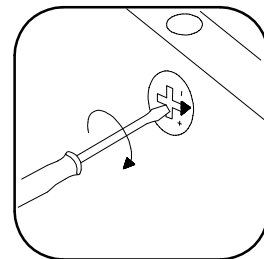
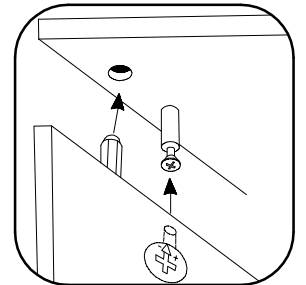
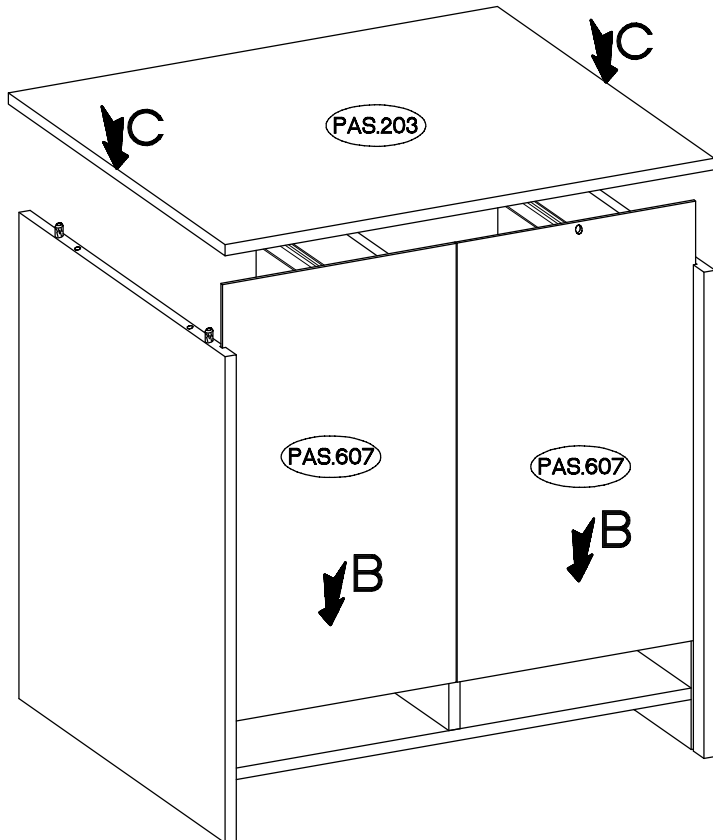
±15/12mm  C 12	±8x30mm  A 16	L=20mm  D2 12	±15x5mm  F4 1	6.5x48x16  F2 4	±6,3x13mm  M2 4	27/214mm  I3 2	±6,3x20mm  M3 4	±20/8mm  J14 4
---------------------------------------------------------------------------------------------------------	--------------------------------------------------------------------------------------------------------	--------------------------------------------------------------------------------------------------------	--------------------------------------------------------------------------------------------------------	----------------------------------------------------------------------------------------------------------	----------------------------------------------------------------------------------------------------------	----------------------------------------------------------------------------------------------------------	------------------------------------------------------------------------------------------------------------	-----------------------------------------------------------------------------------------------------------



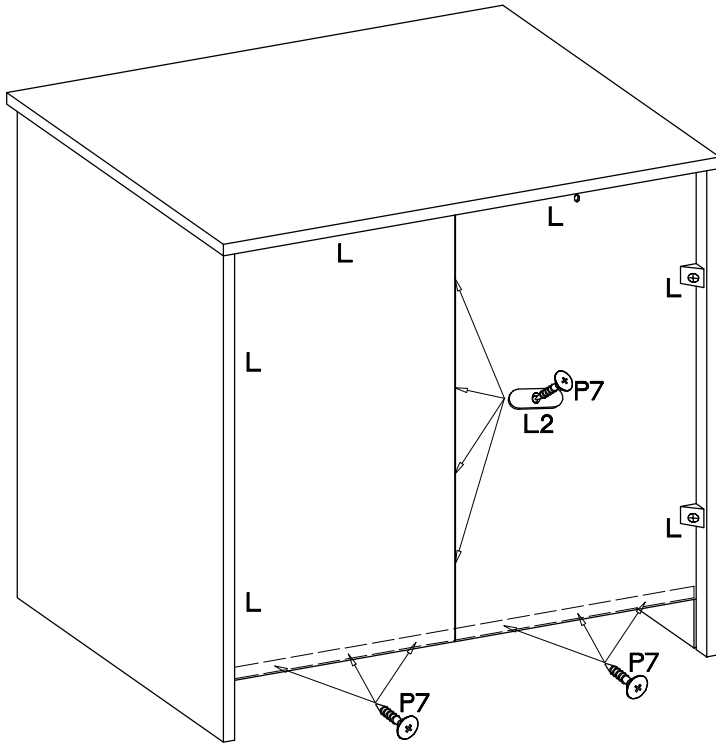
5

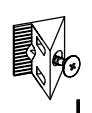
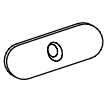



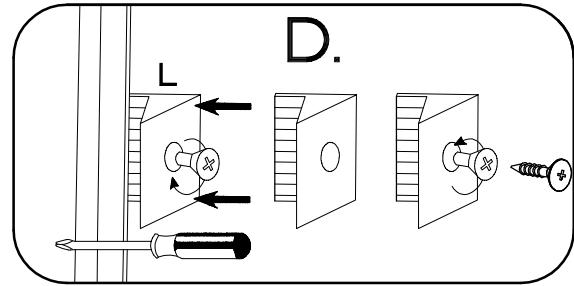
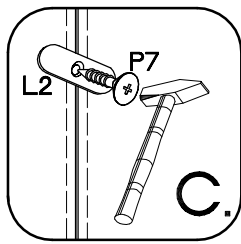
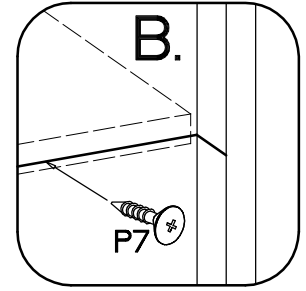
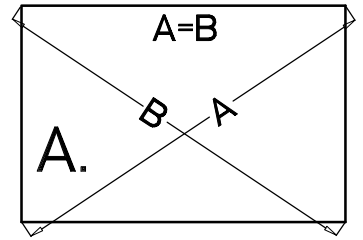
6



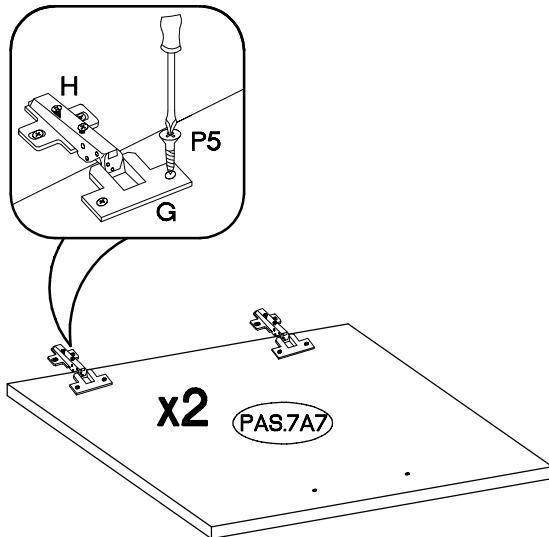
7


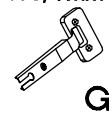



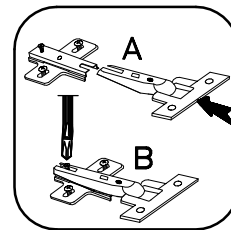
		
L	L2	P7
6	4	10



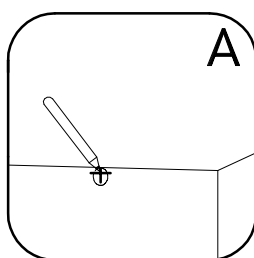
8






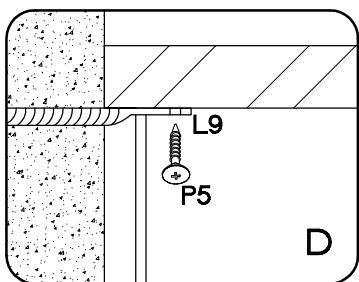
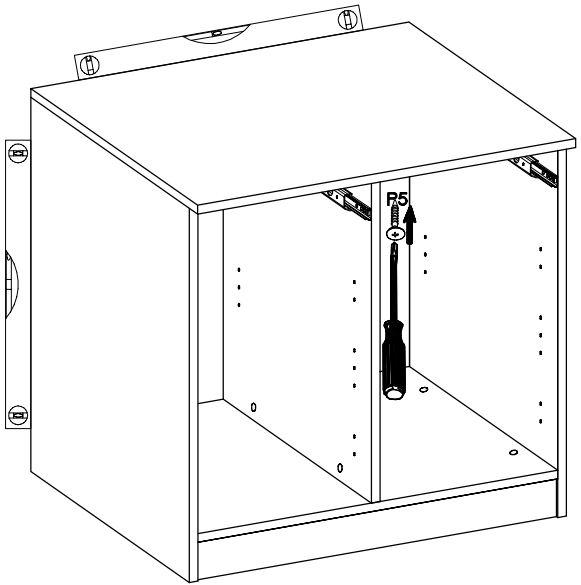
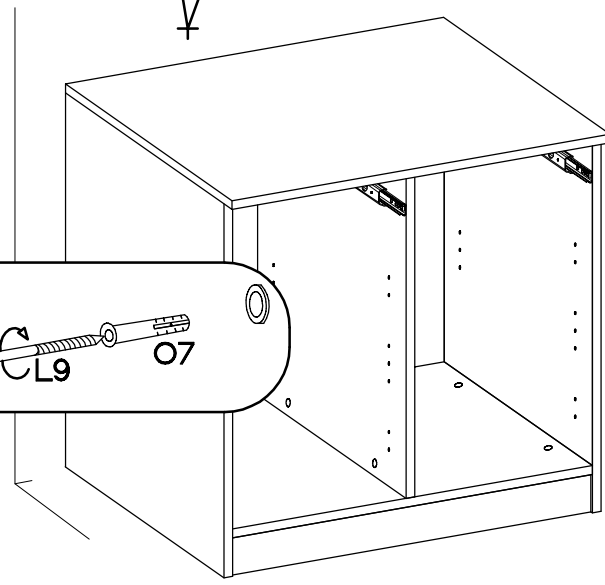
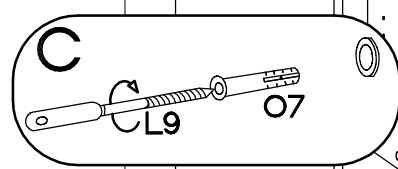
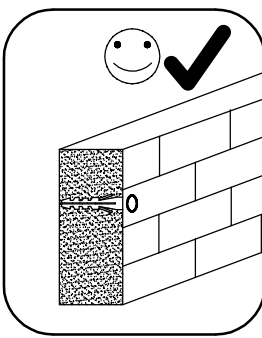
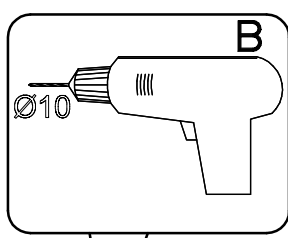
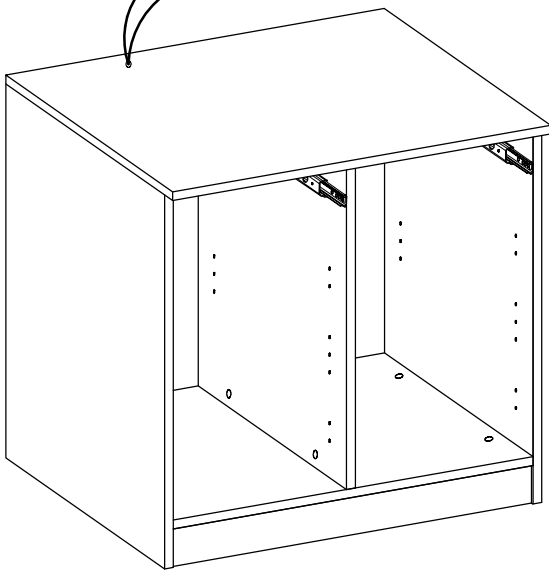
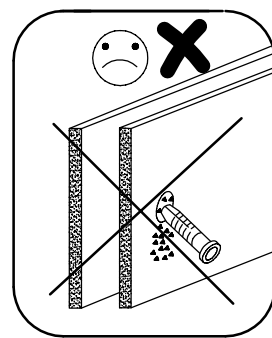
		
P5	G	H
8	4	4




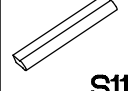

9

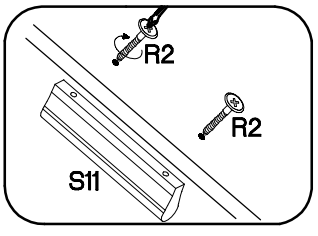
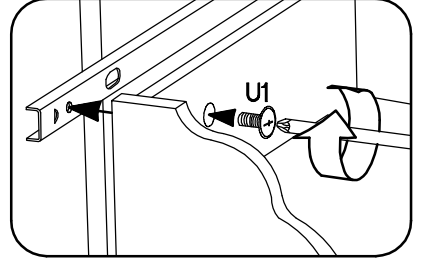
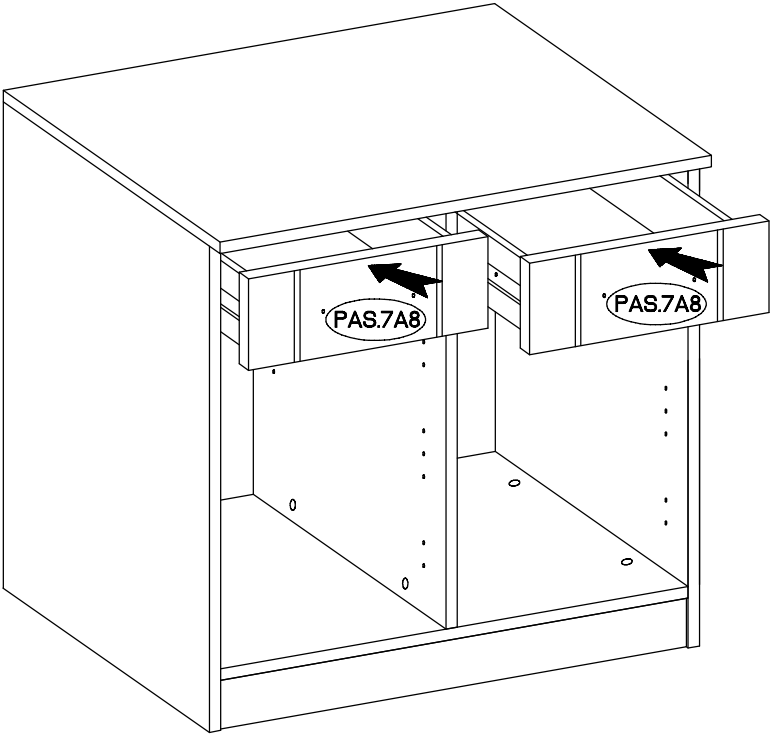


 L9 1	 10x50mm 1	 3.5x13mm 1
----------------------------------------------------------------------------------------------	---------------------------------------------------------------------------------------------------	-----------------------------------------------------------------------------------------------------





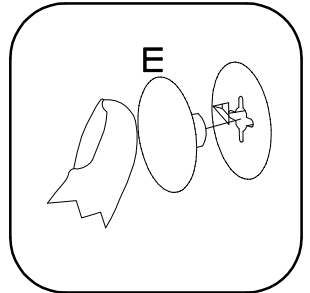
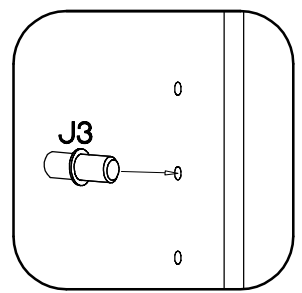
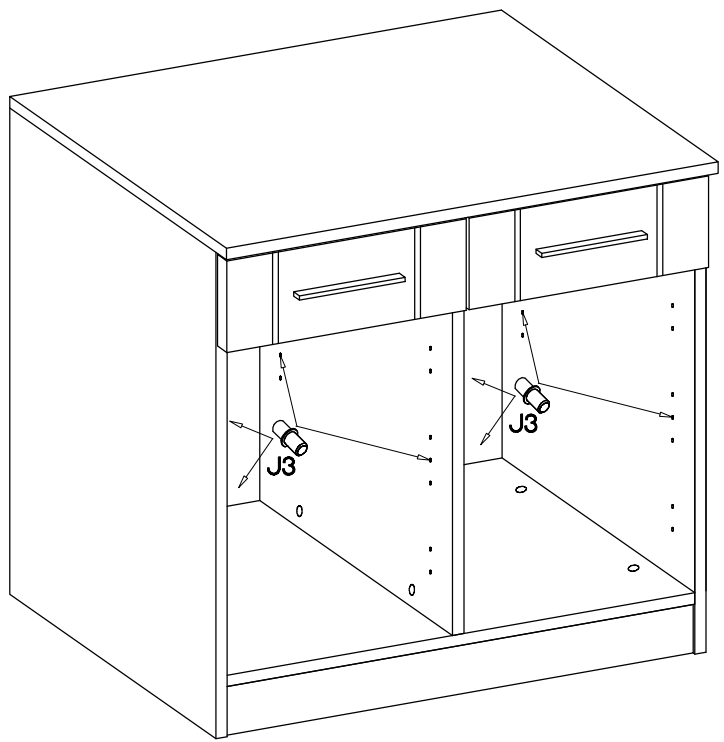
10


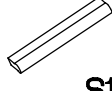
 R2 4	 S11 2	 U1 4
------------------------------------------------------------------------------------------------------	-------------------------------------------------------------------------------------------------------	------------------------------------------------------------------------------------------------------



11

 J3 12	 E 8
----------------------------------------------------------------------------------------------------------	--------------------------------------------------------------------------------------------------------



+4.0x30mm	L=128mm
	
R2	S11
4	2

